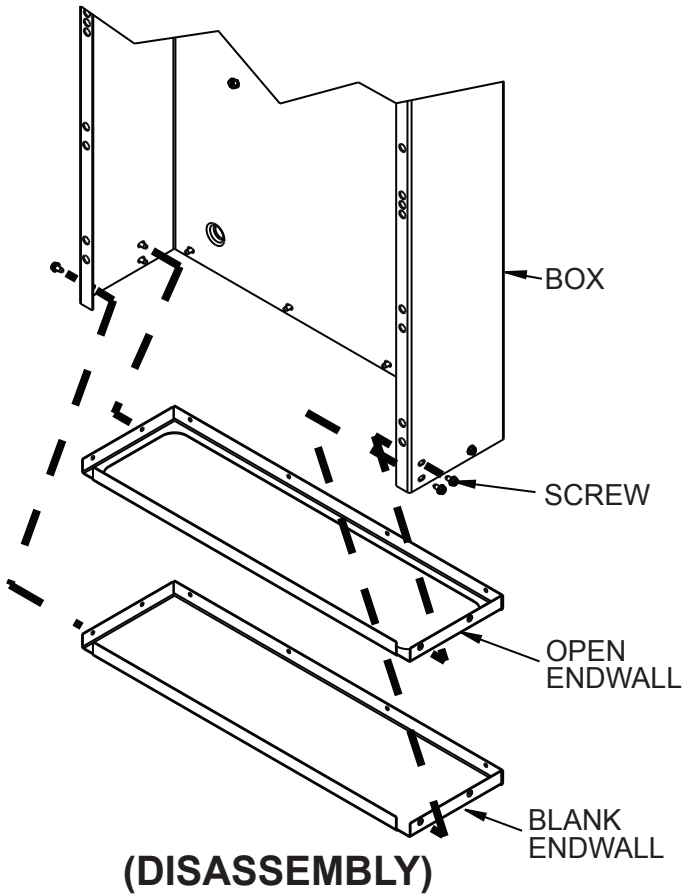


EWK3

INSTRUCTIONS FOR SPECIAL OPEN ENDWALL



1. Remove the (8) screws that hold the BLANK ENDWALL to the BOX, if installed.
2. Discard BLANK ENDWALL.

3. Place the OPEN ENDWALL to the BOX in the lowest position.
4. Using the (8) screws included in this kit, assemble the OPEN ENDWALL to the BOX.

