

Technical Specifications (continued)

LED Characteristics

Color Uniformity:

RAB's range of Correlated Color Temperature follows the guidelines of the American National Standard for Specifications for the Chromaticity of Solid State Lighting (SSL) Products, ANSI C78.377-2017.

Other

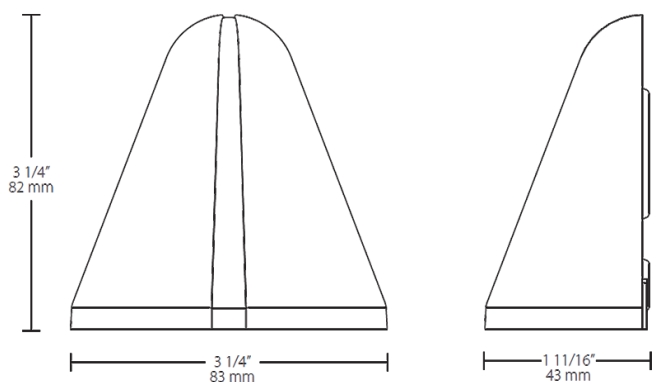
Warranty:

RAB warrants that our LED products will be free from defects in materials and workmanship for a period of five (5) years from the date of delivery to the end user, including coverage of light output, color stability, driver performance and fixture finish. RAB's warranty is subject to all terms and conditions found at rablighting.com/warranty.

Buy American Act Compliance:

RAB values USA manufacturing! Upon request, RAB may be able to manufacture this product to be compliant with the Buy American Act (BAA). Please contact customer service to request a quote for the product to be made BAA compliant.

Dimensions



Features

- Compatible with 12VAC systems
- Can be used as steplights
- 100,000-Hour lifespan

Ordering Matrix

Family	Wattage	Color Temp	Finish
DECK	6LV	YY	W

6LV = 6W 12VAC YY = 2700K (Residential Warm)

A = Bronze
 B = Black
 D = Sand
 W = White
 VG = Verde Green