



Device circuit breaker 1-pole with auxiliary switch NO contact Characteristic F2  
16A 230 V AC 50/60 Hz 60 V DC Icn 3 kA AC according to IEC 60934

Model	
product brand name	SENTRON
product designation	Device protection switch
General technical data	
number of poles	1
design of pole	1P+AS
tripping characteristic class	F2
mechanical service life (operating cycles) typical	6 000
overvoltage category	III
degree of pollution	2
Voltage	
type of voltage of the operating voltage	AC/DC
<b>insulation voltage (Ui)</b>	
• at DC rated value	72 V
• with single-phase operation at AC rated value	250 V
operational current	
• at 40 °C rated value	14.67 A
• at 50 °C rated value	13.82 A
• at 55 °C rated value	13.38 A
• at 60 °C rated value	12.93 A
• at AC rated value	16 A
Supply voltage	
supply voltage	
• at AC	230 V
• at DC rated value	60 V
value range of the supply voltage frequency	50/60 Hz
operating voltage at DC rated value maximum	72 V
Protection class	
protection class IP	IP20
Dissipation	
power loss [W] for rated value of the current at AC in hot operating state per pole	2.56 W
<b>suitability for operation</b>	Residential buildings/infrastructure
Product details	
product feature touch protection	Yes
product component	
• combined terminal top	No
• combined terminal bottom	No
• neutral conductor switching	No
<b>product feature</b>	

<ul style="list-style-type: none"> <li>• properties for main switches in accordance with EN 60204-1</li> </ul>	Yes
<ul style="list-style-type: none"> <li>• halogen-free</li> </ul>	Yes
<ul style="list-style-type: none"> <li>• sealable</li> </ul>	Yes
<ul style="list-style-type: none"> <li>• silicon-free</li> </ul>	Yes
product extension installable supplementary devices	Yes

### Connections

<b>connectable conductor cross-section solid</b>	
<ul style="list-style-type: none"> <li>• minimum</li> </ul>	0.5 mm <sup>2</sup>
<ul style="list-style-type: none"> <li>• maximum</li> </ul>	16 mm <sup>2</sup>
<b>connectable conductor cross-section stranded</b>	
<ul style="list-style-type: none"> <li>• minimum</li> </ul>	0.5 mm <sup>2</sup>
<ul style="list-style-type: none"> <li>• maximum</li> </ul>	16 mm <sup>2</sup>
<b>connectable conductor cross-section finely stranded with core end processing</b>	
<ul style="list-style-type: none"> <li>• minimum</li> </ul>	0.5 mm <sup>2</sup>
<ul style="list-style-type: none"> <li>• maximum</li> </ul>	10 mm <sup>2</sup>
<b>AWG number as coded connectable conductor cross section</b>	
<ul style="list-style-type: none"> <li>• minimum</li> </ul>	20
<ul style="list-style-type: none"> <li>• maximum</li> </ul>	6
<b>tightening torque [lbf·in] with screw-type terminals</b>	
<ul style="list-style-type: none"> <li>• minimum</li> </ul>	17.7 lbf·in
<b>tightening torque with screw-type terminals</b>	
<ul style="list-style-type: none"> <li>• minimum</li> </ul>	2 N·m
<ul style="list-style-type: none"> <li>• maximum</li> </ul>	2.5 N·m
position of power supply cord	Any

### Mechanical Design

<b>height</b>	90 mm
<b>width</b>	18 mm
<b>depth</b>	76 mm
<b>installation depth</b>	70 mm
<b>number of modular width units</b>	1
<b>fastening method</b>	DIN rail
<b>mounting position</b>	Horizontal/vertical
<b>net weight</b>	122 g

### Environmental conditions

influence of the surrounding temperature	30 °C @ 85%rF; 60 °C @ 20%rF"
standard	IEC / DIN EN 60934, UL1077
vibration resistance according to IEC 60068-2-6	Yes
ambient temperature during operation	
<ul style="list-style-type: none"> <li>• minimum</li> </ul>	-25 °C
<ul style="list-style-type: none"> <li>• maximum</li> </ul>	60 °C
ambient temperature during storage	
<ul style="list-style-type: none"> <li>• minimum</li> </ul>	-40 °C
<ul style="list-style-type: none"> <li>• maximum</li> </ul>	70 °C
number of test cycles for environmental testing according to IEC 60068-2-30	6

### Approvals Certificates

#### General Product Approval



[Confirmation](#)



Test Certificates	other	Railway	Environment
-------------------	-------	---------	-------------



Environment

[Environmental Con-  
firmations](#)

Further information

Information on the packaging

<https://support.industry.siemens.com/cs/ww/en/view/109813875>

Information- and Downloadcenter (Catalogs, Brochures,...)

<http://www.siemens.com/lowvoltage/catalogs>

Industry Mall (Online ordering system)

<https://mall.industry.siemens.com/mall/en/en/Catalog/product?mlfb=5SY1716-4>

Service&Support (Manuals, Certificates, Characteristics, FAQs,...)

<https://support.industry.siemens.com/cs/ww/en/ps/5SY1716-4>

Image database (product images, 2D dimension drawings, 3D models, device circuit diagrams, ...)

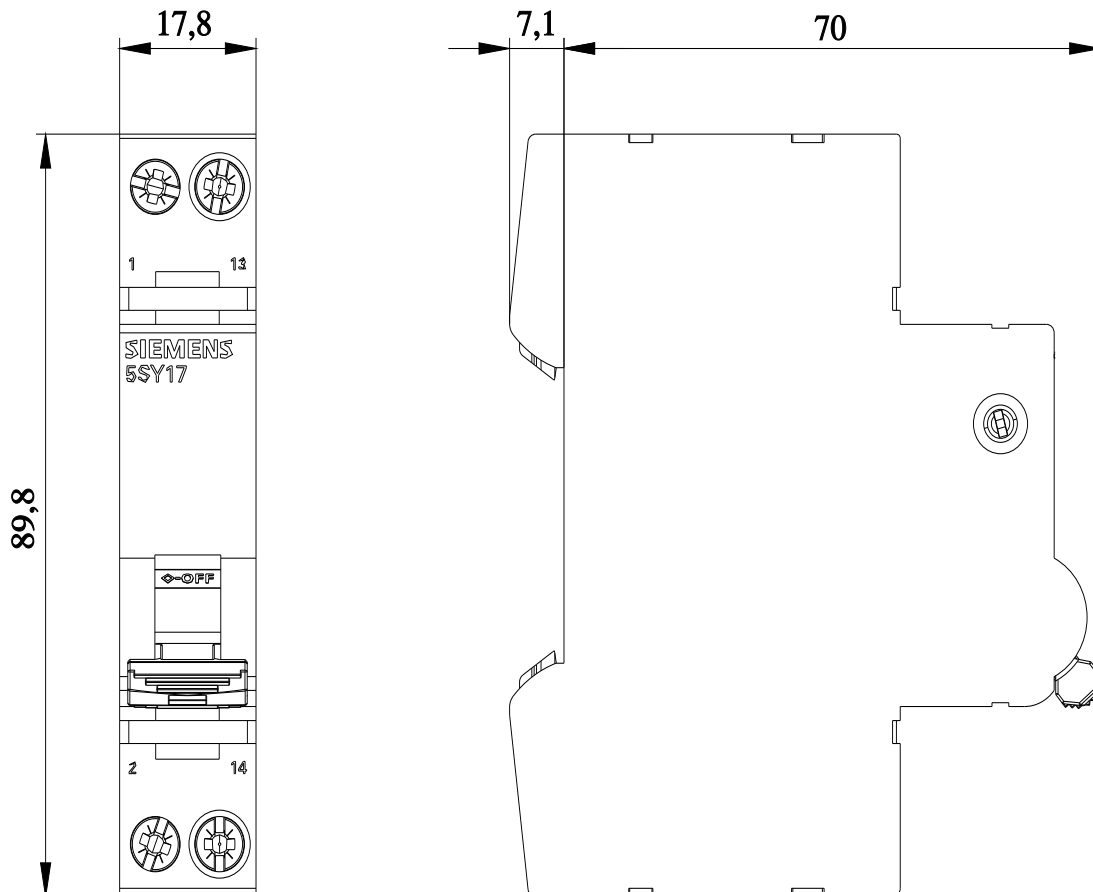
[http://www.automation.siemens.com/bilddb/cax\\_en.aspx?mlfb=5SY1716-4](http://www.automation.siemens.com/bilddb/cax_en.aspx?mlfb=5SY1716-4)

CAX-Online-Generator

<http://www.siemens.com/cax>

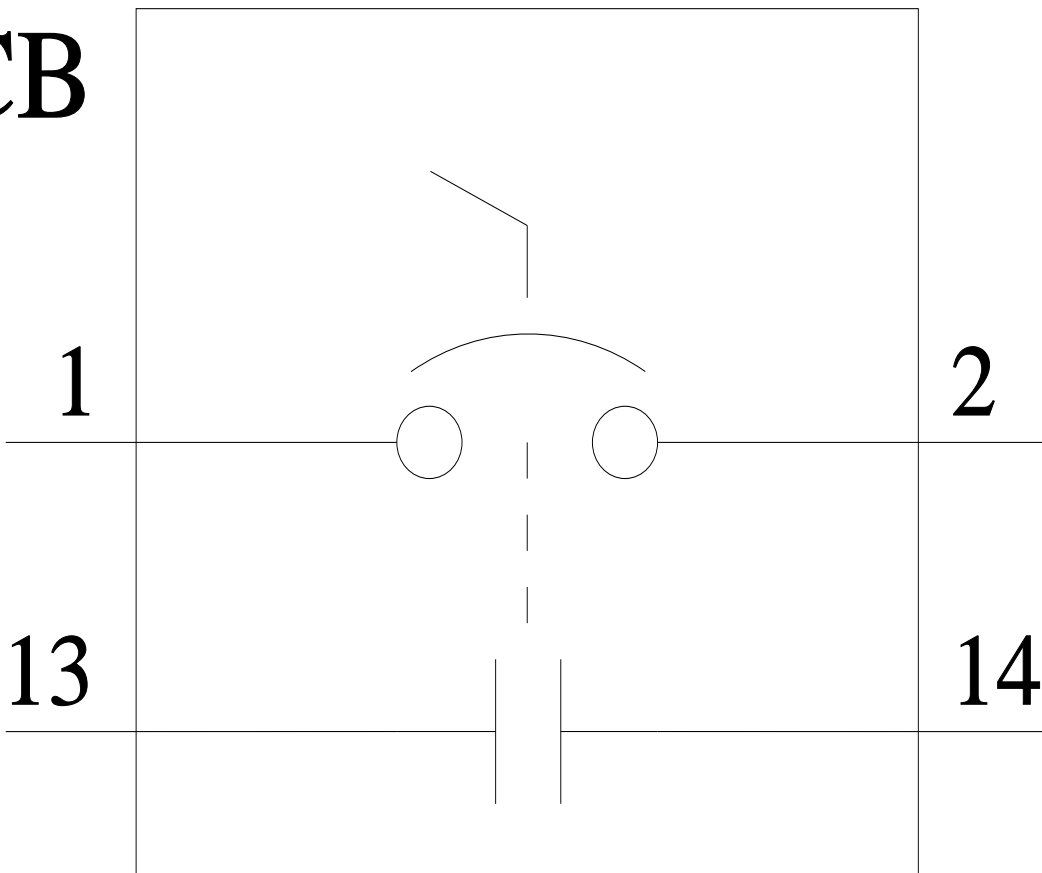
Tender specifications

<http://www.siemens.com/specifications>





CB



last modified:

7/18/2024 

