

Basic switch for position switch 3SE5162 Metal enclosure XL, 56 mm wide Device connection 3x(M20 x 1.5) IP66/IP67 2 x (1 NO/2 NC) Slow-action contacts with make-before-break without actuator head



<b>Product brand name</b>	SIRIUS
<b>Product designation</b>	Mechanical safety switches
<b>Product type designation</b>	3SE5
<b>Manufacturer's article number</b>	
<ul style="list-style-type: none"> <li>• of the supplied basic switch</li> <li>• of the supplied switching contacts</li> <li>• of the supplied empty enclosure with cover</li> </ul>	<a href="#">3SE5162-0DA00</a> 1x 3SE5000-0MA00, 1x 3SE5060-0MA00 <a href="#">3SE5162-0AA00</a>
Suitability for use safety switch	Yes

General technical data	
<b>Product function</b>	
<ul style="list-style-type: none"> <li>• positive opening</li> </ul>	Yes
<b>Degree of pollution</b>	class 3
<b>Surge voltage resistance rated value</b>	4 kV
<b>Protection class IP</b>	IP66/IP67
<b>Shock resistance</b>	
<ul style="list-style-type: none"> <li>• acc. to IEC 60068-2-27</li> </ul>	30 g / 11 ms
<b>Mechanical service life (switching cycles)</b>	
<ul style="list-style-type: none"> <li>• typical</li> </ul>	5 000 000
<b>Electrical endurance (switching cycles)</b>	

• at AC-15 at 230 V typical	100 000
<b>Electrical endurance (switching cycles) with contactor 3RH11, 3RT1016, 3RT1017, 3RT1024, 3RT1025, 3RT1026 typical</b>	5 000 000
<b>Electrical operating cycles in one hour with contactor 3RH11, 3RT1016, 3RT1017, 3RT1024, 3RT1025, 3RT1026</b>	6 000
<b>Thermal current</b>	10 A
<b>Reference code acc. to DIN EN 81346-2</b>	B
<b>Reference code acc. to DIN EN 61346-2</b>	B
<b>Continuous current of the C characteristic MCB</b>	1 A; for a short-circuit current smaller than 400 A
<b>Continuous current of the quick DIAZED fuse link</b>	10 A; for a short-circuit current smaller than 400 A
<b>Continuous current of the DIAZED fuse link gG</b>	6 A
<b>Active principle</b>	mechanical
<b>Repeat accuracy</b>	0.05 mm
<b>Minimum actuating force in activation direction</b>	30 N
<b>Length of the sensor</b>	107.7 mm
<b>Width of the sensor</b>	56 mm
<b>Design of the switching contact</b>	mechanical
<b>Operating frequency rated value</b>	50 ... 60 Hz
<b>Number of NC contacts for auxiliary contacts</b>	4
<b>Number of NO contacts for auxiliary contacts</b>	2
<b>Number of CO contacts for auxiliary contacts</b>	1
<b>Operating current at AC-15</b>	
• at 24 V rated value	6 A
• at 125 V rated value	6 A
• at 240 V rated value	6 A
• at 400 V rated value	4 A
<b>Operating current at DC-13</b>	
• at 24 V rated value	3 A
• at 125 V rated value	0.55 A
• at 250 V rated value	0.27 A
• at 400 V rated value	0.12 A
<b>Design of the interface for safety-related communication</b>	without

#### Enclosure

<b>Design of the housing</b>	block, wide
<b>Material of the enclosure</b>	metal
<b>Coating of the enclosure</b>	cathodic immersion coating
<b>Design of the housing acc. to standard</b>	No

#### Drive Head

<b>Design of the operating mechanism</b>	Other, without, basic switch
<b>Design of the switching function</b>	Positive opening with appropriate positive opening actuator head

<b>Circuit principle</b>	slow-action contacts
Number of switching contacts safety-related	4

### Connections/ Terminals

<b>Type of electrical connection</b>	screw-type terminals
<b>Type of connectable conductor cross-sections</b>	
<ul style="list-style-type: none"> <li>• solid</li> <li>• finely stranded with core end processing</li> <li>• at AWG conductors solid</li> <li>• at AWG conductors stranded</li> </ul>	1x (0.5 ... 1.5 mm <sup>2</sup> ), 2x (0.5 ... 0.75 mm <sup>2</sup> ) 1x (0.5 ... 1.5 mm <sup>2</sup> ), 2x (0.5 ... 0.75 mm <sup>2</sup> ) 1x (20 ... 16), 2x (20 ... 18) 1x (20 ... 16), 2x (20 ... 18)
<b>Cable entry type</b>	3 x (M20 x 1.5)

### Communication/ Protocol

<b>Design of the interface</b>	without
--------------------------------	---------

### Ambient conditions

<b>Explosion protection category for dust</b>	none
---	------

### Installation/ mounting/ dimensions

<b>Mounting position</b>	any
<b>Mounting type</b>	screw fixing

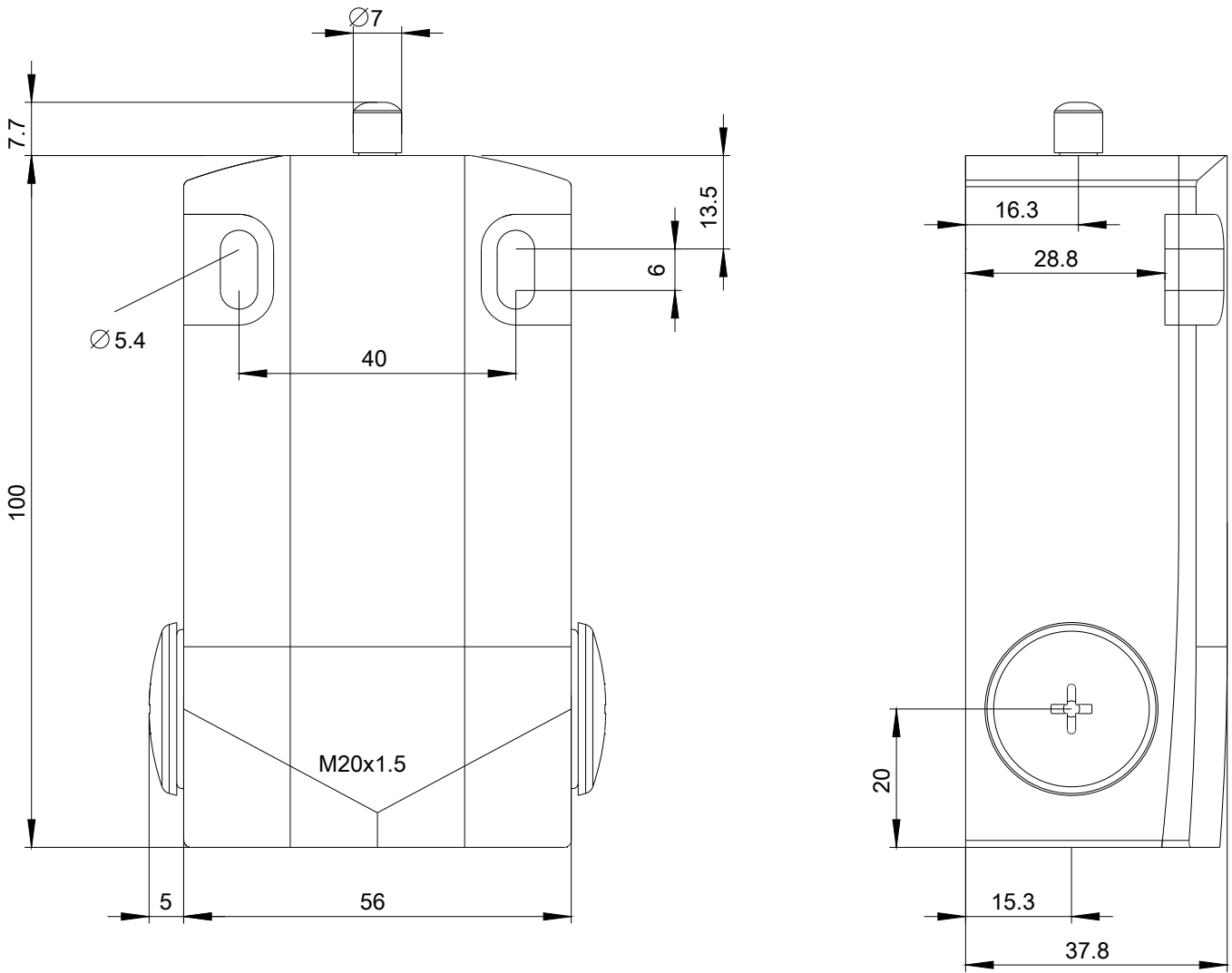
### Certificates/ approvals

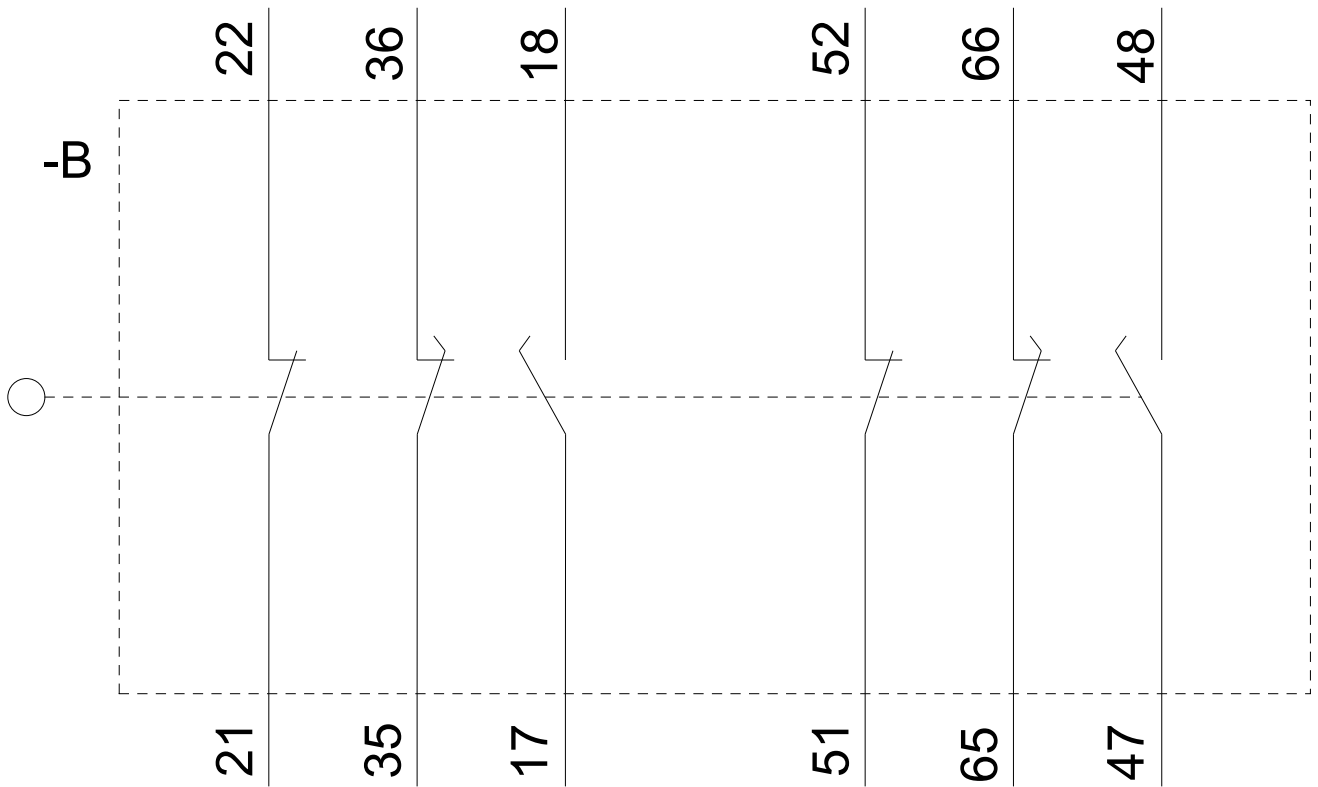
<b>General Product Approval</b>	<b>Functional Safety/Safety of Machinery</b>	<b>Declaration of Conformity</b>
 CCC	 CSA	 UL
 EAC		<a href="#">Type Examination Certificate</a>  EG-Konf.

<b>Declaration of Conformity</b>	<b>Test Certificates</b>	<b>other</b>
<a href="#">Miscellaneous</a>	<a href="#">Type Test Certificates/Test Report</a>	<a href="#">Confirmation</a>

### Further information

- Information- and Downloadcenter (Catalogs, Brochures,...)**  
[www.siemens.com/sirius/catalogs](http://www.siemens.com/sirius/catalogs)
- Industry Mall (Online ordering system)**  
<https://mall.industry.siemens.com/mall/en/en/Catalog/product?mlfb=3SE5162-0DA00>
- Cax online generator**  
<http://support.automation.siemens.com/WW/CAXorder/default.aspx?lang=en&mlfb=3SE5162-0DA00>
- Service&Support (Manuals, Certificates, Characteristics, FAQs,...)**  
<https://support.industry.siemens.com/cs/ww/en/ps/3SE5162-0DA00>





last modified:

07/26/2019