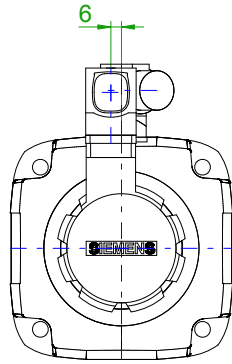
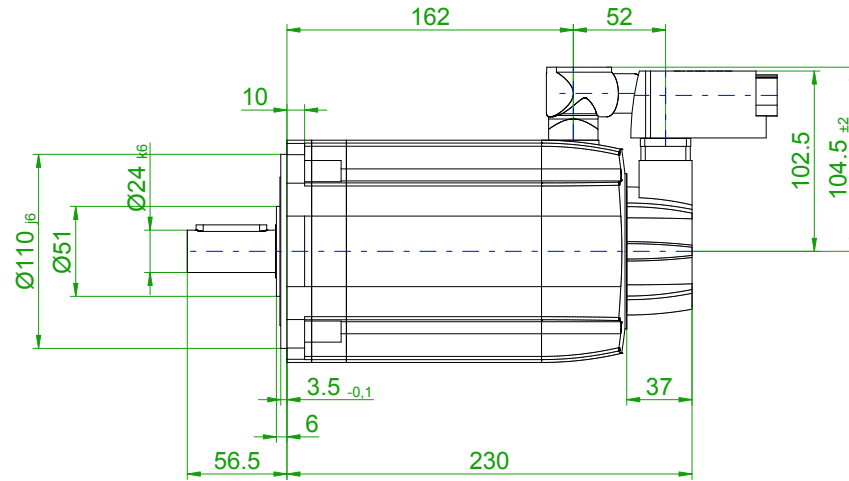
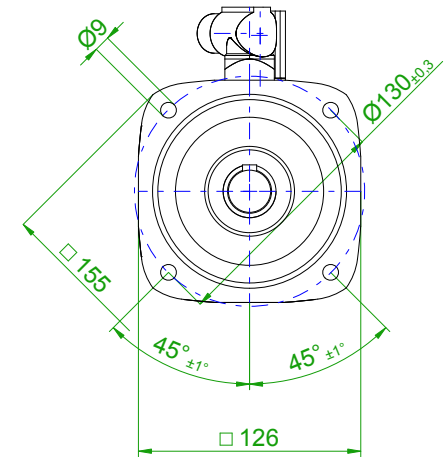


back view

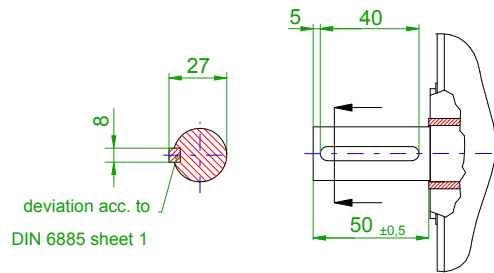


front view

center hole
DIN 332-DR M8



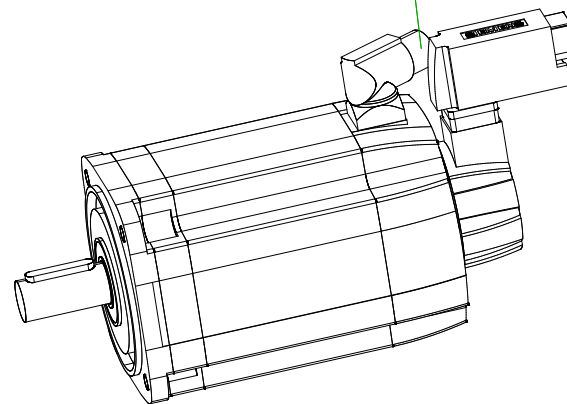
version with featherkey



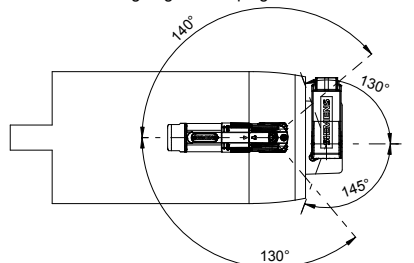
deviation acc. to
DIN 6885 sheet 1

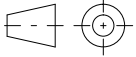
6-pole plug size 1
for power

10-pole
signal plug



rotating angle of the plug



		SIEMENS	
Einheit / unit: mm	Synchron-Servomotor Synchronous Servo Motor:	1FT7066-5AH70-1FA0	
nicht tolerierte Maße / not toleranced dimensions:	Optionen / options:	Gewicht / mass:	12.3 kg
Maßstab / scale: ohne / without	Bemerkung / notice:		
CAD CREATOR 2.2 (WWW-Version V02.20.00.00)		Druckdatum / print date:	02.12.2019