



Figure similar

Electrically held lighting contactor, Contactor amp rating 60A, 0 N.C. / 3 N.O. Poles, 208VAC 50/60HZ coil, 1 NO / 1 NC auxiliary contacts Non-combination type, (no disconnect device), Encl NEMA type 4X 304 S-Steel, Water/dust tight noncorrosive

| | |
|---|---|
| product brand name | Class LE |
| design of the product | Electrically held lighting contactor |
| special product feature | Compact design; Finger safe control terminals |
| General technical data | |
| weight [lb] | 19 lb |
| Height x Width x Depth [in] | 16 × 13 × 6 in |
| touch protection against electrical shock | NA for enclosed products |
| installation altitude [ft] at height above sea level maximum | 6560 ft |
| ambient temperature [°F] | |
| • during storage | -67 ... +176 °F |
| • during operation | 32 ... 104 °F |
| ambient temperature | |
| • during storage | -55 ... +80 °C |
| • during operation | 0 ... 40 °C |
| country of origin | Germany |
| Contactors | |
| size of contactor | 60 Amp |
| number of NO contacts for main contacts | 3 |
| number of NC contacts for main contacts | 0 |
| operating voltage for main current circuit at AC at 60 Hz maximum | 600 V |
| mechanical service life (switching cycles) of the main contacts typical | 10000000 |
| contact rating of the main contacts of lighting contactor | |
| • at tungsten (1 pole per 1 phase) rated value | 60A @277V 1p 1ph |
| • at tungsten (2 poles per 1 phase) rated value | 60A @480V 2p 1ph |
| • at tungsten (3 poles per 3 phases) rated value | 60A @480V 3p 3ph |
| • at ballast (1 pole per 1 phase) rated value | 60A @347V 1p 1ph |
| • at ballast (2 poles per 1 phase) rated value | 60A @600V 2p 1ph |
| • at ballast (3 poles per 3 phases) rated value | 60A @600V 3p 3ph |
| • at resistive load (1 pole per 1 phase) rated value | 60A @347V 1p 1ph |
| • at resistive load (2 poles per 1 phase) rated value | 60A @600V 2p 1ph |
| • at resistive load (3 poles per 3 phases) rated value | 60A @600V 3p 3ph |
| Auxiliary contact | |
| number of NC contacts at contactor for auxiliary contacts | 1 |
| number of NO contacts at contactor for auxiliary contacts | 1 |
| number of total auxiliary contacts maximum | 14 |

| | |
|---|--|
| contact rating of auxiliary contacts of contactor according to UL | A600 / P600 |
| Coil | |
| type of voltage of the control supply voltage | AC |
| control supply voltage | |
| • at DC rated value | 0 ... 0 V |
| • at AC at 50 Hz rated value | 208 ... 208 V |
| • at AC at 60 Hz rated value | 208 ... 208 V |
| apparent pick-up power of magnet coil at AC | 188 V·A |
| apparent holding power of magnet coil at AC | 16.5 V·A |
| operating range factor control supply voltage rated value of magnet coil | 0.85 ... 1.1 |
| switch ON delay time | 80 ms |
| OFF delay time | 10 ... 18 ms |
| Enclosure | |
| degree of protection NEMA rating of the enclosure | NEMA 4X 304 stainless steel enclosure |
| design of the housing | Dust-tight, watertight & corrosion resistant |
| Mounting/wiring | |
| mounting position | Vertical |
| fastening method | Surface mounting and installation |
| type of electrical connection for supply voltage line-side | Screw-type terminals |
| tightening torque [lbf·in] for supply | 26 ... 39 lbf·in |
| type of connectable conductor cross-sections at line-side at AWG cables single or multi-stranded | 2x (18 ... 2 AWG), 1x (18 ... 1 AWG) |
| temperature of the conductor for supply maximum permissible | 75 °C |
| material of the conductor for supply | CU |
| type of electrical connection for load-side outgoing feeder | Screw-type terminals |
| tightening torque [lbf·in] for load-side outgoing feeder | 26 ... 39 lbf·in |
| type of connectable conductor cross-sections at AWG cables for load-side outgoing feeder single or multi-stranded | 2x (18 ... 2 AWG), 1x (18 ... 1 AWG) |
| temperature of the conductor for load-side outgoing feeder maximum permissible | 75 °C |
| material of the conductor for load-side outgoing feeder | CU |
| type of electrical connection of magnet coil | Screw-type terminals |
| tightening torque [lbf·in] at magnet coil | 7 ... 10 lbf·in |
| type of connectable conductor cross-sections of magnet coil at AWG cables single or multi-stranded | 2x (20 ... 16 AWG), 2x (18 ... 14 AWG) |
| temperature of the conductor at magnet coil maximum permissible | 75 °C |
| material of the conductor at magnet coil | CU |
| type of electrical connection at contactor for auxiliary contacts | Screw-type terminals |
| tightening torque [lbf·in] at contactor for auxiliary contacts | 7 ... 10 lbf·in |
| type of connectable conductor cross-sections at contactor at AWG cables for auxiliary contacts single or multi-stranded | 2x (20 ... 16 AWG), 2x (18 ... 14 AWG) |
| temperature of the conductor at contactor for auxiliary contacts maximum permissible | 75 °C |
| material of the conductor at contactor for auxiliary contacts | CU |
| Short-circuit current rating | |
| design of the fuse link for short-circuit protection of the main circuit required | 100kA@600V (Class J 80A max) |
| design of the short-circuit trip | Thermal magnetic circuit breaker |
| breaking capacity maximum short-circuit current (I _{cu}) | |
| • at 240 V | 25 kA |
| • at 480 V | 25 kA |
| • at 600 V | 18 kA |
| certificate of suitability | NEMA ICS 2; UL 508 |
| Further information | |

Industrial Controls - Product Overview (Catalogs, Brochures,...)

www.usa.siemens.com/iccatalog

Industry Mall (Online ordering system)

<https://mall.industry.siemens.com/mall/en/us/Catalog/product?mlfb=US2:LEN04D003208C>

Service&Support (Manuals, Certificates, Characteristics, FAQs,...)

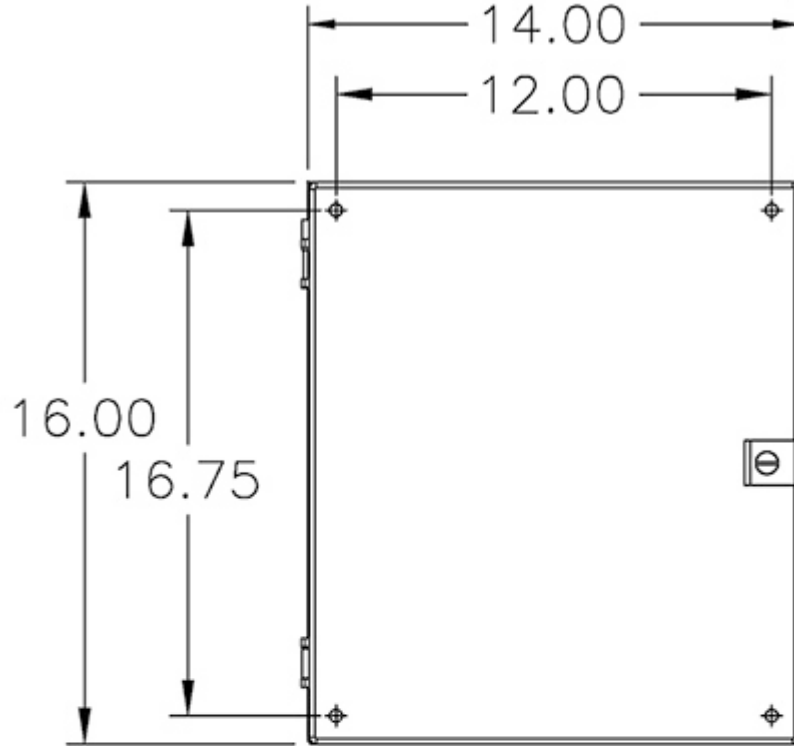
<https://support.industry.siemens.com/cs/US/en/ps/US2:LEN04D003208C>

Image database (product images, 2D dimension drawings, 3D models, device circuit diagrams, EPLAN macros, ...)

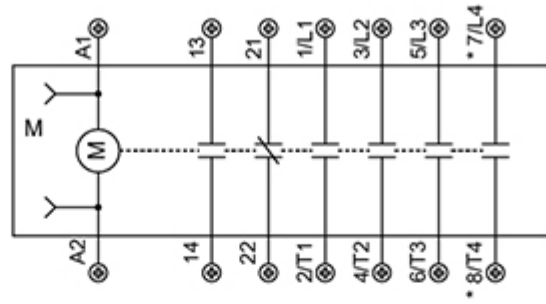
http://www.automation.siemens.com/bilddb/cax_de.aspx?mlfb=US2:LEN04D003208C&lang=en

Certificates/approvals

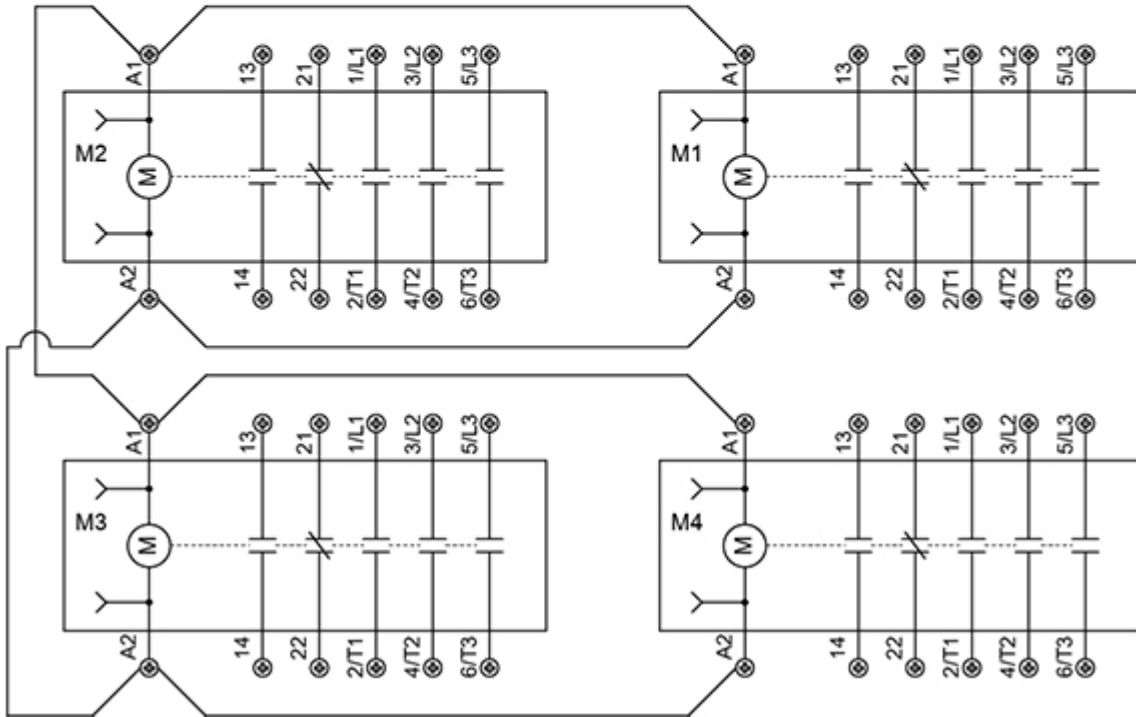
<https://support.industry.siemens.com/cs/US/en/ps/US2:LEN04D003208C/certificate>



20 - 100 AMP (* Optional 4th Pole Only For 20 & 30 AMP)



30 & 60 AMP MULTI-POLE



last modified:

3/11/2020 