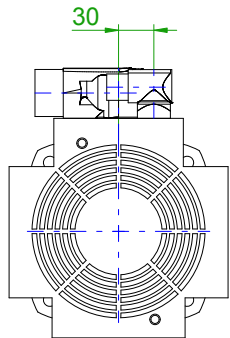


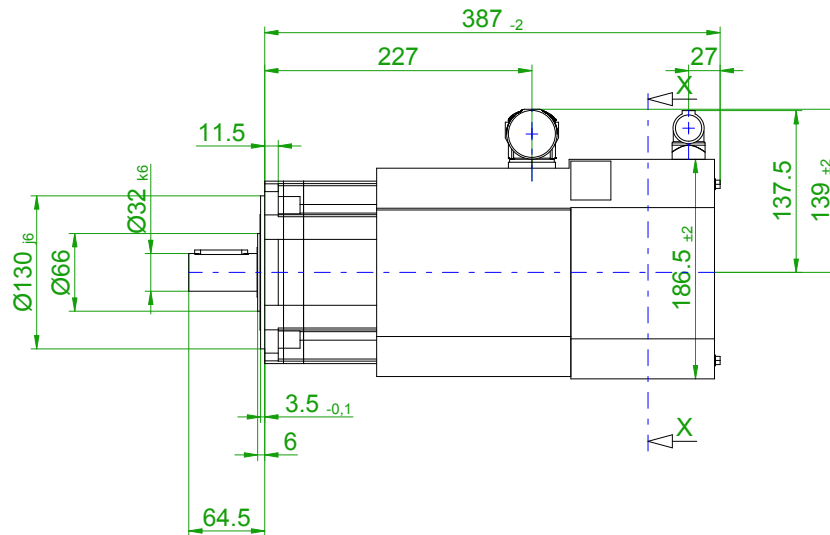
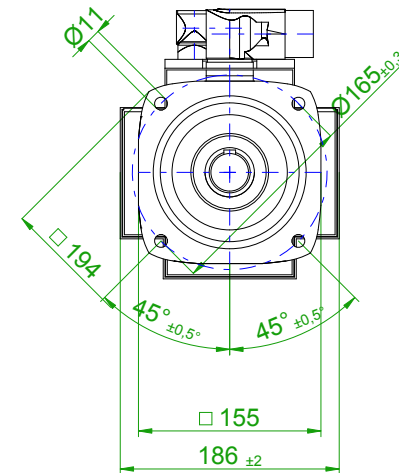
1 2 3 4 5 6 7 8

back view

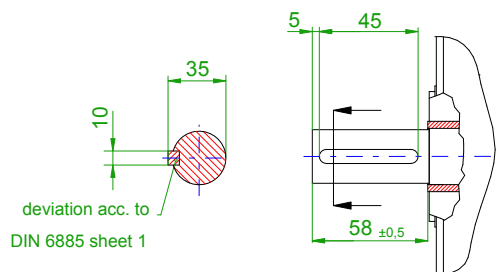


front view

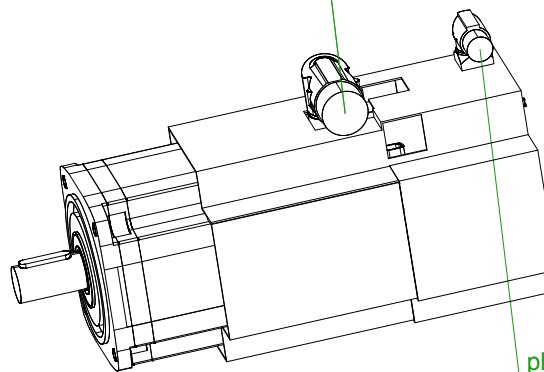
center hole
DIN 332-DR M12



version with featherkey

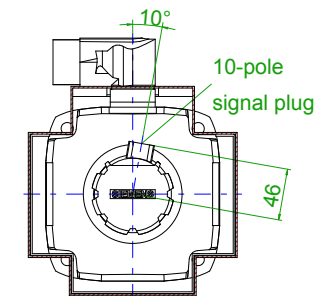


6-pole plug size 1.5
for power

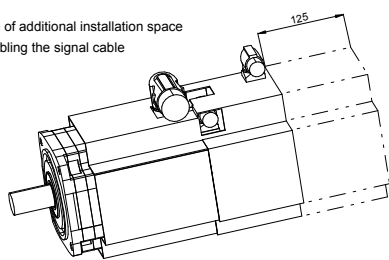


plug for fan port

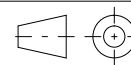
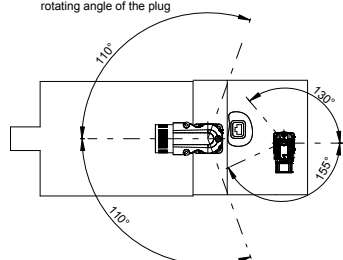
X-X



Take care of additional installation space
for assembling the signal cable



rotating angle of the plug



SIEMENS

Einheit / unit: mm

Synchron-Servomotor
Synchronous Servo Motor:

1FT7086-5SF70-1CA1

nicht tolerierte Maße /
not toleranced dimensions:

±1

Optionen / options:

Gewicht / mass:

32.2 kg

Maßstab / scale: ohne / without

Bemerkung / notice:

CAD CREATOR 2.2 (WWW-Version V02.20.00.00)

Druckdatum / print date:

08.05.2019

1 2 3 4 5 6 7 8