

Catalog Numbers and Ratings

Catalog No.	Amp. Rating	Maximum Interrupting Rating	Catalog No.	Amp. Rating	Maximum Interrupting Rating
1 PHASE, 3 WIRE, 120/240V AC MAX			3 PHASE, 4 WIRE, 240V AC MAX		
WB1200CNH	200	65,000	WB3200CNH	200	65,000
WB1200CUNH	200	100,000	WB3200CUNH	200	100,000
WB1250CNH	250	65,000	WB3250CNH	250	65,000
WB1250CUNH	250	100,000	WB3250CUNH	250	100,000
WB1300CNH	300	65,000	WB3300CNH	300	65,000
WB1300CUNH	300	100,000	WB3300CUNH	300	100,000
WB1350CNH	350	65,000	WB3350CNH	350	65,000
WB1350CUNH	350	100,000	WB3350CUNH	350	100,000
WB1400CNH	400	65,000	WB3400CNH	400	65,000
WB1400CUNH	400	100,000	WB3400CUNH	400	100,000

Replacement Parts, Accessories, and Additional Modules

FOR USE WITH: Module Description	Siemens Series#
Main Breakers	(W)MC, WB, WEB, WXB, WBT
Switches	WMP, WMS, WS, WES
Tap/Terminal Boxes	WMTB, WTB, WET, WT, PU
Pull Boxes	WMMB
Meter Module	(W)MM, WxMM, (W)MT, (W)ML, (W)MK, (W)MLZ(F)
Meter Combinations	WC, WCL, WCT
Extension Box	WMEX, WSP, WSPD
Bussed Elbow	BE, WELB

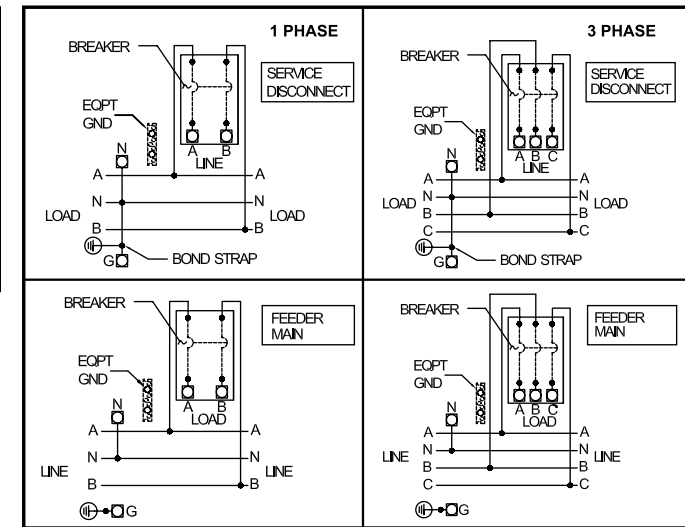
Siemens Accessories	Catalog Number
Hub Cover Plate	EC56933S
Type HD Hub 2"	EC56854
Type HD Hub 2-1/2"	EC56855
Type HD Hub 3"	EC56856
Type HD Hub 3-1/2"	EC56857
Type HD Hub 4"	EC56858
GND Bar Kit	ECLX069M
Lug Landing Pad	LLP600 (lugs ordered separately) UNDERGROUND USE ONLY

Connect Modules Using	Catalog Number / Torque
QuickConnect	QC1 (1ph) or QC4 (3ph) 400-440 lb-in (35-36 ft.-lb.) Torque

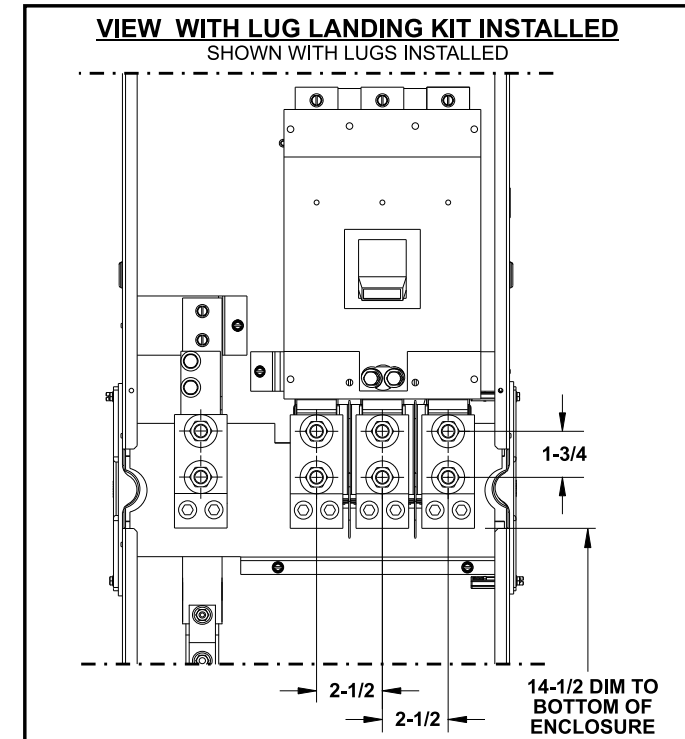
Breaker Lug Kits				
Lug Kit	MFG	Wire Range	No. Wires per phase	Torque (lb.-in.)
Single Phase Mechanical Lug Kits				
LK11750	Siemens	500-750 kcmil	1	500
LK12500*	Siemens	4/0-500 kcmil	2	300
Three Phase Mechanical Lug Kits				
LK31750	Siemens	500-750 kcmil	1	500
LK32500*	Siemens	3/0-500 kcmil CU 4/0-500 kcmil AL	2	300

* Factory Installed

Schematics



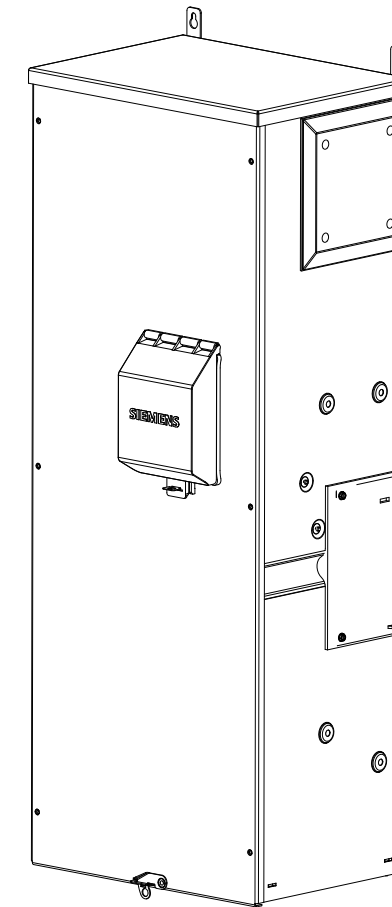
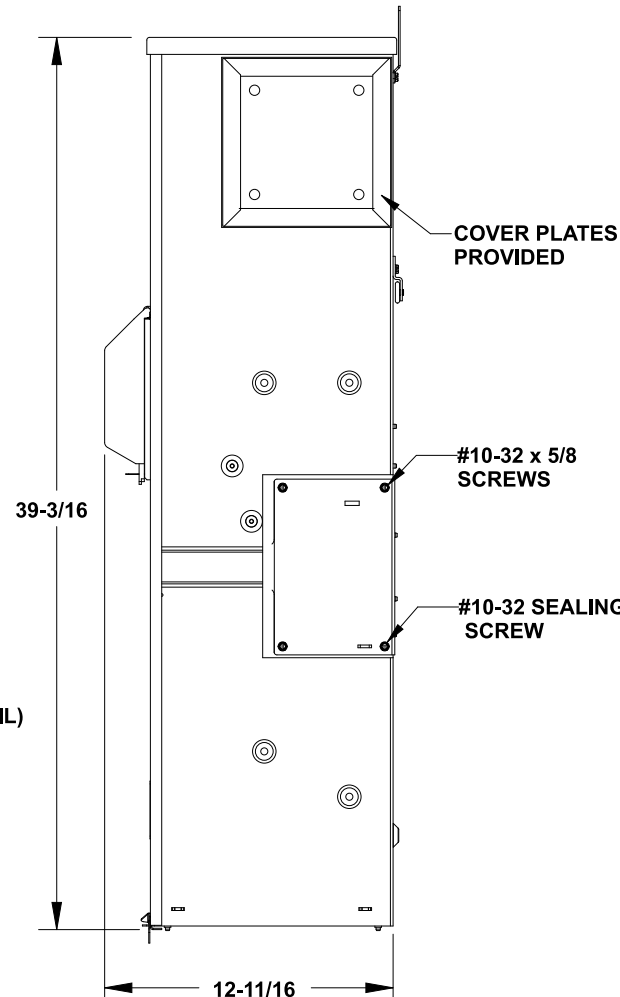
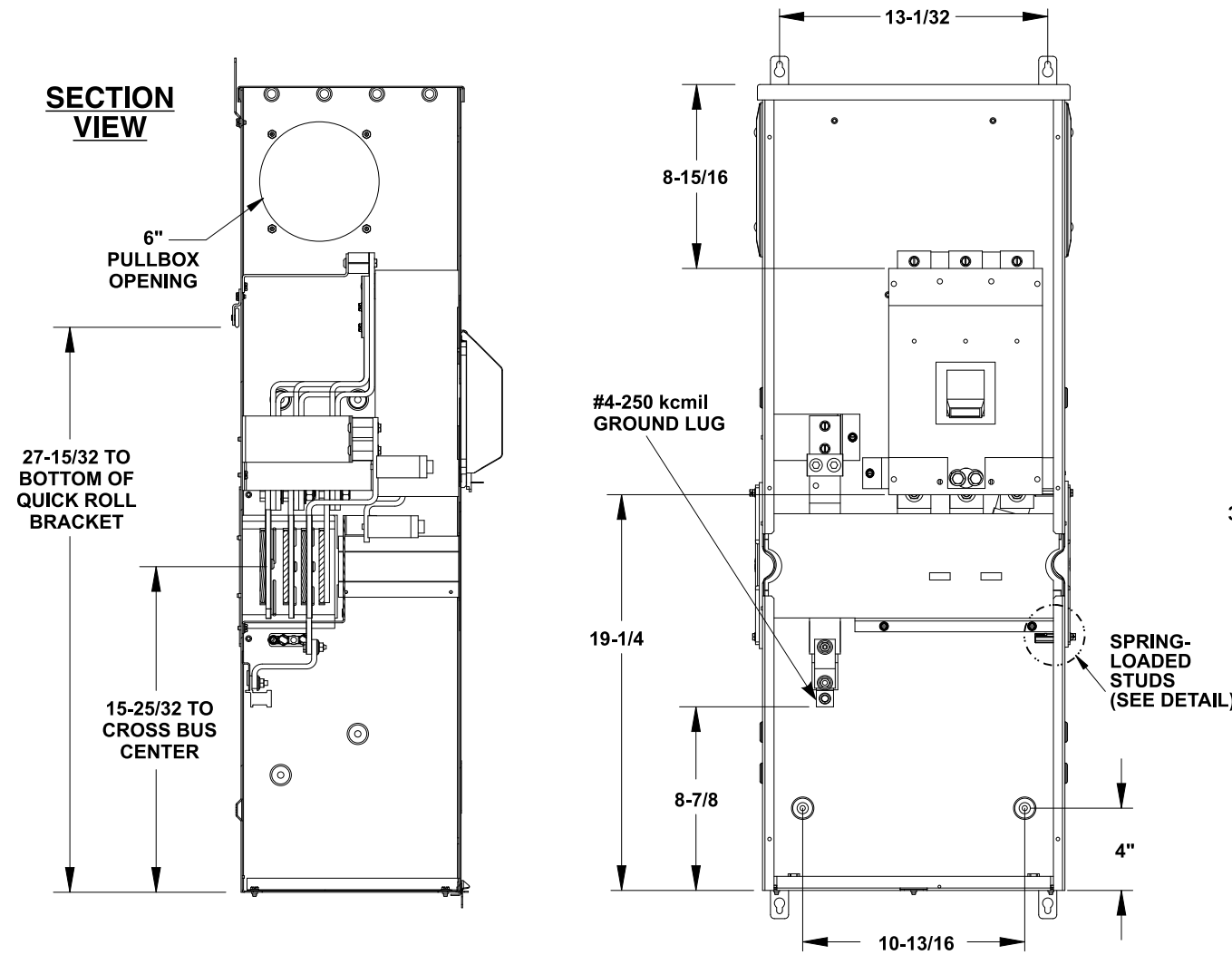
LLP600 Lug Landing Kit



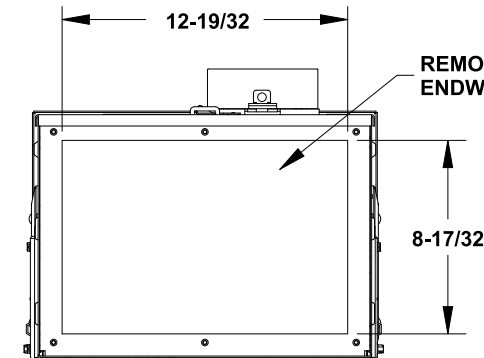
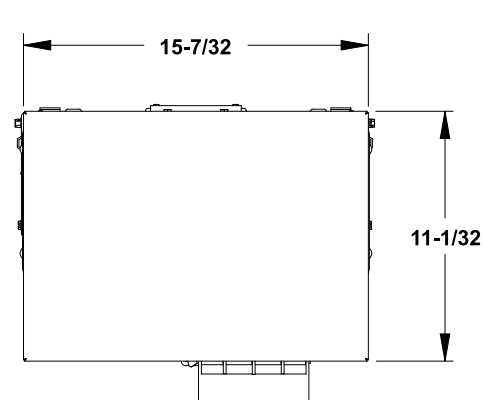
Lug Kits for LLP600 Phase and Neutral Connections

NEMA Lug	MFG	Wire Range	No. Wires per phase	Torque (lb.-in.)
Single Phase Mechanical Lug Kits				
LK11600N2	Siemens	#2-600 kcmil	1	500
LK12350N2	Siemens	#6-350 kcmil	2	275
Three Phase Mechanical Lug Kits				
LK31600N2	Siemens	#2-600 kcmil	1	500
LK32350N2	Siemens	#6-350 kcmil	2	275
Compression Lug Kits				
2ACL-600	IlSCO	600 kcmil	--	N/A
2ACL-350	IlSCO	350 kcmil	--	N/A

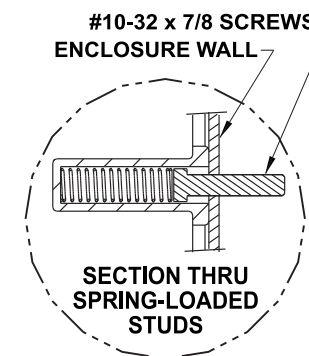
SECTION VIEW



TOP VIEW



WB3400CNH (3 Phase) SHOWN FRONT VIEW SHOWN WITHOUT COVER



© 2017 Copyright Siemens Industry, Inc.

SIEMENS
Siemens Industry, Inc.

PowerMod™ Breaker Mains

Description: WB1200CNH thru WB3400CUNH,
No Hub Openings, Service Entrance Breaker Mains

KAM 11/15/17 DO NOT SCALE DRAWING Dwg No: 200-400A_SE_Brkr_MainsNH