

Illuminated mushroom pushbutton, 22 mm, round, plastic, clear, 30 mm, latching, Pull-to-unlatch mechanism



|                          |                             |
|--------------------------|-----------------------------|
| Product brand name       | SIRIUS ACT                  |
| Product designation      | Mushroom pushbuttons        |
| Design of the product    | Actuating/signaling element |
| Product type designation | 3SU1                        |

### Enclosure

|                          |   |
|--------------------------|---|
| Number of command points | 1 |
|--------------------------|---|

### Actuator

|   |                           |
|---|---------------------------|
| Design of the operating mechanism           | illuminated               |
| Manner of function of the actuating element | latching                  |
| Product extension optional Light source     | Yes                       |
| Color                                       |                           |
| • of the actuating element                  | clear                     |
| Material of the actuating element           | plastic                   |
| Shape of the actuating element              | round                     |
| Outer diameter of the actuating element     | 30 mm                     |
| Type of unlocking device                    | pull-to-unlatch mechanism |
| Number of switching positions               | 2                         |

### Front ring

|                              |          |
|------------------------------|----------|
| Product component front ring | Yes      |
| Design of the front ring     | Standard |
| Material of the front ring   | plastic  |
| Color of the front ring      | black    |

#### General technical data

|   |  |
|---|--|
| <b>Product function</b>   |  |
| <ul style="list-style-type: none"> <li>• EMERGENCY OFF function</li> <li>• EMERGENCY STOP function</li> </ul>                       | No<br>No   |
| <b>Protection class IP</b>  | IP66, IP67, IP69(IP69K)                                  |
| <b>Degree of protection NEMA rating</b>   | NEMA 1, 2, 3, 3R, 4, 4X, 12, 13                          |
| <b>Shock resistance</b>   |  |
| <ul style="list-style-type: none"> <li>• acc. to IEC 60068-2-27</li> <li>• for railway applications acc. to DIN EN 61373</li> </ul> | Sinusoidal half-wave 50 g / 11 ms<br>Category 1, Class B |
| <b>Vibration resistance</b>   |  |
| <ul style="list-style-type: none"> <li>• acc. to IEC 60068-2-6</li> <li>• for railway applications acc. to DIN EN 61373</li> </ul>  | 10 ... 500 Hz: 5g<br>Category 1, Class B                 |
| <b>Operating frequency maximum</b>  | 1 800 1/h  |
| <b>Mechanical service life (switching cycles)</b>   |  |
| <ul style="list-style-type: none"> <li>• typical</li> </ul>   | 500 000  |
| <b>Reference code acc. to DIN EN 81346-2</b>  | S  |
| <b>Reference code acc. to DIN EN 61346-2</b>  | S  |

#### Ambient conditions

|  |   |
|--|---|
| <b>Ambient temperature</b>   |   |
| <ul style="list-style-type: none"> <li>• during operation</li> <li>• during storage</li> </ul> | -25 ... +70 °C<br>-40 ... +80 °C                                    |
| Environmental category during operation acc. to IEC 60721                                      | 3M6, 3S2, 3B2, 3C3, 3K6 (with relative air humidity of 10 ... 95 %) |

#### Installation/ mounting/ dimensions

|  |         |
|--|---------|
| <b>Height</b>                                      | 30 mm   |
| <b>Width</b>                                       | 30 mm   |
| <b>Shape of the installation opening</b>           | round   |
| <b>Mounting diameter</b>                           | 22.3 mm |
| <b>Positive tolerance of installation diameter</b> | 0.4 mm  |
| <b>Mounting height</b>                             | 27.5 mm |
| <b>Installation width</b>                          | 30 mm   |
| <b>Installation depth</b>                          | 24.4 mm |

#### Certificates/ approvals

| General Product Approval | Declaration of Conformity | Test Certificates |
|--------------------------|---------------------------|-------------------|
|--------------------------|---------------------------|-------------------|



[Miscellaneous](#)

[Type Test Certificates/Test Report](#)

### Marine / Shipping



### other

[Confirmation](#)

### Further information

**Information- and Downloadcenter (Catalogs, Brochures,...)**

[www.siemens.com/sirius/catalogs](http://www.siemens.com/sirius/catalogs)

**Industry Mall (Online ordering system)**

<https://mall.industry.siemens.com/mall/en/en/Catalog/product?mlfb=3SU1001-1AA70-0AA0>

**Cax online generator**

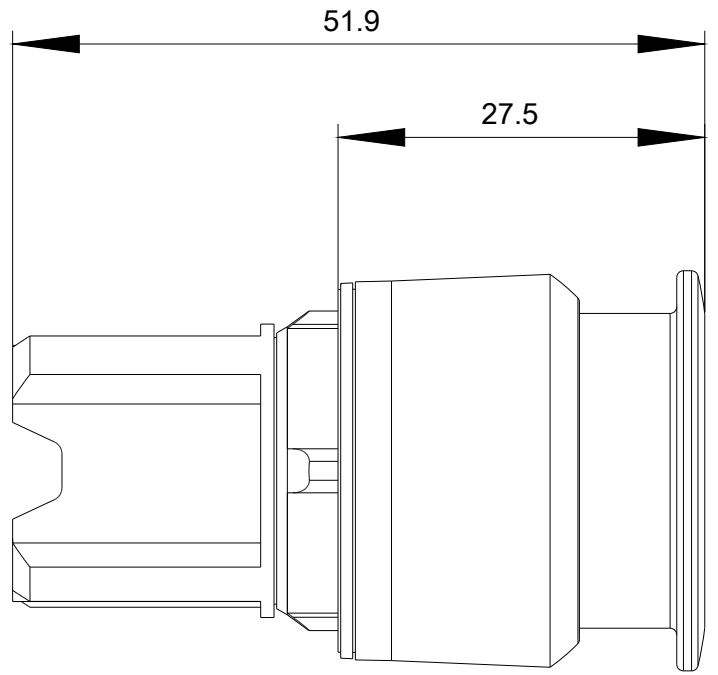
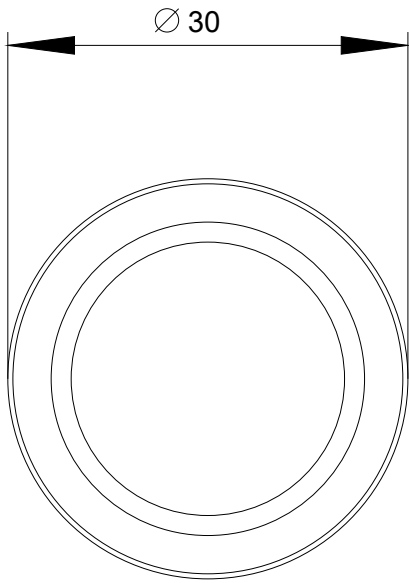
<http://support.automation.siemens.com/WW/CAXorder/default.aspx?lang=en&mlfb=3SU1001-1AA70-0AA0>

**Service&Support (Manuals, Certificates, Characteristics, FAQs,...)**

<https://support.industry.siemens.com/cs/ww/en/ps/3SU1001-1AA70-0AA0>

**Image database (product images, 2D dimension drawings, 3D models, device circuit diagrams, EPLAN macros, ...)**

[http://www.automation.siemens.com/bilddb/cax\\_de.aspx?mlfb=3SU1001-1AA70-0AA0&lang=en](http://www.automation.siemens.com/bilddb/cax_de.aspx?mlfb=3SU1001-1AA70-0AA0&lang=en)



last modified:

10/30/2019