

INDICATOR LIGHT, 22MM, ROUND, METAL, CLEAR, LENS, CONCENTRIC RINGS, WITH HOLDER, LAMPHOLDER, WITH INTEGRATED LED AC/DC 24V, SCREW CONNECTION



Figure similar

<b>Design of the product</b>	Complete unit round
<b>Enclosure</b>	
<b>Shape of the enclosure front</b>	round
<b>Material of the enclosure</b>	metal
<b>Number of command points</b>	0
<b>Actuator</b>	
<b>Design of the operating mechanism</b>	indicator light
<b>Product extension optional Light source</b>	Yes
<b>Color</b>	
• of the actuating element	Clear
<b>Shape of the actuating element</b>	Concentric rings
<b>Type of unlocking device</b>	without
<b>Number of switching positions</b>	0
<b>Front ring</b>	
<b>Product component front ring</b>	No
<b>Holder</b>	

<b>Material of the holder</b>	Metal
<b>Contact block/ lampholder</b>	
<b>Mounting type</b>	integrated LED
<b>Number of lampholders</b>	1
<b>Number of switching elements</b>	0
<b>General technical data</b>	
<b>Product function</b>	No
<ul style="list-style-type: none"> <li>• positive opening</li> </ul>	
<b>Product component</b>	Yes
<ul style="list-style-type: none"> <li>• Light source</li> </ul>	
<b>Protection class IP</b>	IP67
<b>Vibration resistance</b>	
<ul style="list-style-type: none"> <li>• acc. to IEC 60068-2-6</li> </ul>	20 ... 200 Hz: 5g
<b>Equipment marking</b>	
<ul style="list-style-type: none"> <li>• acc. to DIN 40719 extended according to IEC 204-2 acc. to IEC 750</li> </ul>	H
<ul style="list-style-type: none"> <li>• acc. to DIN EN 61346-2</li> </ul>	P
<ul style="list-style-type: none"> <li>• acc. to DIN EN 81346-2</li> </ul>	P
<b>Supply voltage</b>	
<b>Type of voltage of the supply voltage</b>	
<ul style="list-style-type: none"> <li>• of the light source</li> </ul>	AC/DC
<b>Supply voltage 1 of the light source at AC</b>	
<ul style="list-style-type: none"> <li>• at 50 Hz rated value</li> </ul>	24 V
<ul style="list-style-type: none"> <li>• at 60 Hz rated value</li> </ul>	24 V
<b>Supply voltage 1 of the light source at DC</b>	
<ul style="list-style-type: none"> <li>• rated value</li> </ul>	24 V
<b>Relative negative tolerance of the supply voltage</b>	-15 %
<b>Relative positive tolerance of the supply voltage</b>	10 %
<b>Auxiliary circuit</b>	
<b>Number of NC contacts</b>	
<ul style="list-style-type: none"> <li>• for auxiliary contacts</li> </ul>	0
<b>Number of NO contacts</b>	
<ul style="list-style-type: none"> <li>• for auxiliary contacts</li> </ul>	0
<b>Number of CO contacts</b>	
<ul style="list-style-type: none"> <li>• for auxiliary contacts</li> </ul>	0
<b>Consumed current for rated value of supply voltage maximum</b>	18 mA
<b>Connections/Terminals</b>	
<b>Type of electrical connection</b>	screw-type terminals
<b>Tightening torque of the screws in the bracket</b>	1.4 ... 1.6 N·m

## Ambient conditions

<b>Ambient temperature</b>	
• during operation	-25 ... +70 °C
• during storage	-40 ... +80 °C
<b>Environmental category during operation acc. to IEC 60721</b>	3K6






## Installation/ mounting/ dimensions

<b>Mounting type</b>	front mounting
<b>Shape of the installation opening</b>	round
<b>Mounting diameter</b>	22 mm
<b>Mounting height</b>	11 mm
<b>Installation width</b>	28 mm
<b>Installation depth</b>	49 mm

## Accessories

<b>Product component holder for 3 switching elements</b>	No
--	----

## Certificates/approvals

General Product Approval	Declaration of Conformity	Test Certificates	Shipping Approval		
 CCC	 CSA	 EAC	 EG-Konf.	<a href="#">spezielle Prüfbescheinigung</a> <u>n</u>	 ABS

Shipping Approval	other				
 DNV	 LRS	 PRS	 RINA	<a href="#">sonstig</a>	<a href="#">Bestätigungen</a>

<b>other</b>
<a href="#">Umweltbestätigung</a>

## Further information

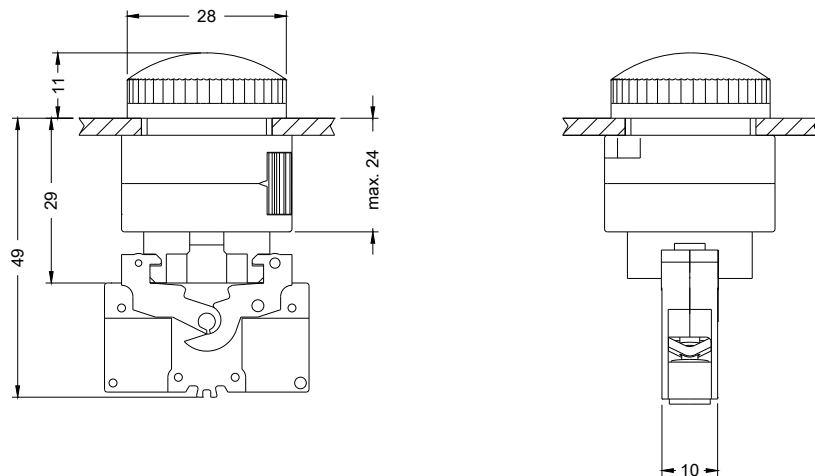
- Information- and Downloadcenter (Catalogs, Brochures,...)**  
<http://www.siemens.com/industrial-controls/catalogs>
- Industry Mall (Online ordering system)**  
<https://mall.industry.siemens.com/mall/en/en/Catalog/product?mlfb=3SB3644-6BA70>
- Cax online generator**  
<http://support.automation.siemens.com/WW/CAXorder/default.aspx?lang=en&mlfb=3SB3644-6BA70>

Service&Support (Manuals, Certificates, Characteristics, FAQs,...)

<https://support.industry.siemens.com/cs/ww/en/ps/3SB3644-6BA70>

Image database (product images, 2D dimension drawings, 3D models, device circuit diagrams, EPLAN macros, ...)

[http://www.automation.siemens.com/bilddb/cax\\_de.aspx?mlfb=3SB3644-6BA70&lang=en](http://www.automation.siemens.com/bilddb/cax_de.aspx?mlfb=3SB3644-6BA70&lang=en)



last modified:

12/19/2016