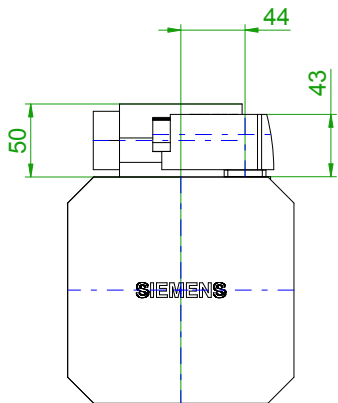
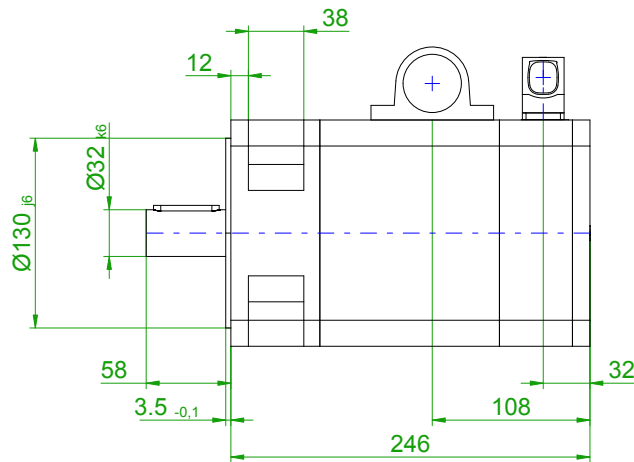


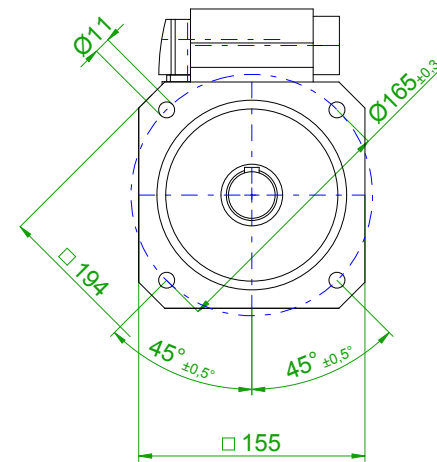
back view



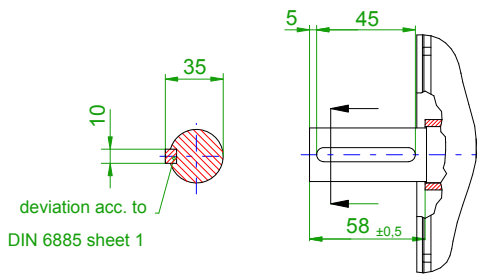
front view



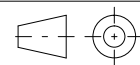
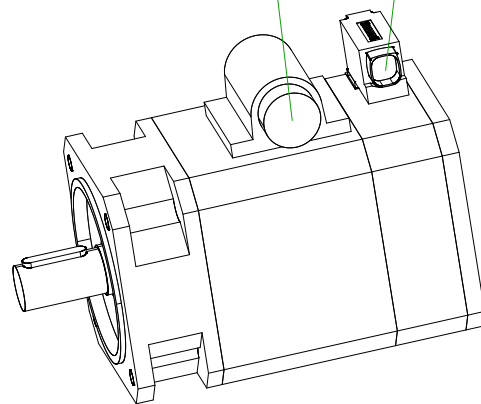
center hole
DIN 332-DR M12



version with featherkey



6-pole plug size 1.5 for power
10-pole signal plug



SIEMENS

| | | |
|--|---|--------------------|
| Einheit / unit: mm | Synchron-Servomotor Synchronous Servo Motor: | 1FT6082-8AF71-1FA1 |
| nicht tolerierte Maße / not toleranced dimensions: ±1 | Optionen / options: | |
| Maßstab / scale: ohne / without | Gewicht / mass: | 15 kg |
| CAD CREATOR 2.2 (WWW-Version V02.20.00.00) | Bemerkung / notice: | |
| | Druckdatum / print date: | 14.05.2019 |