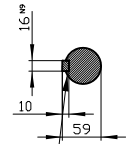
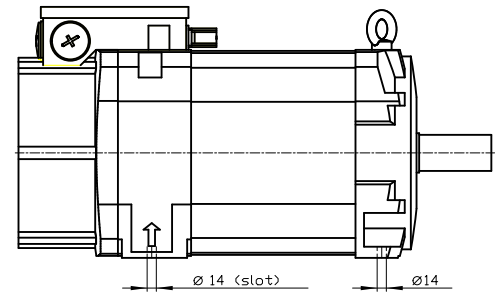
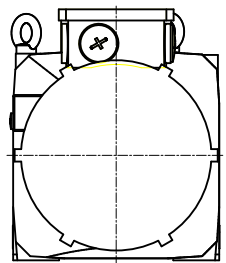
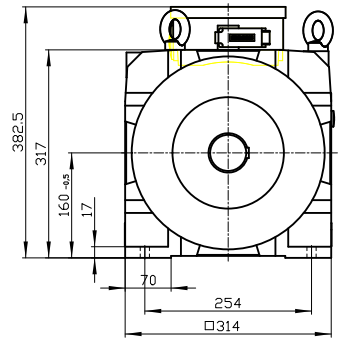
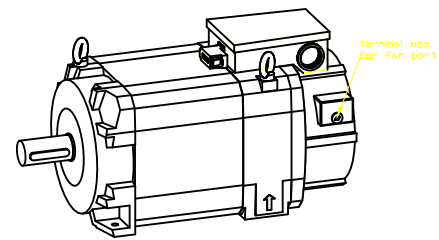
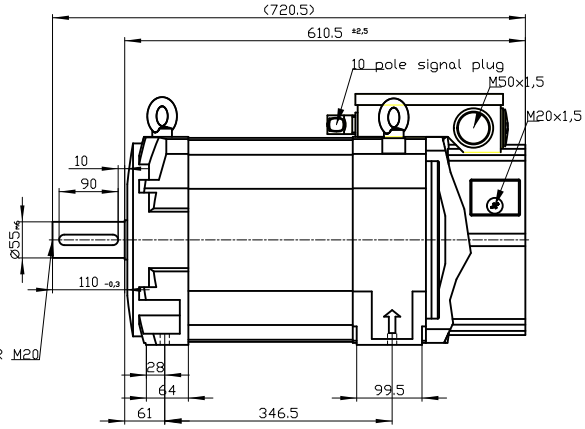


DE - shaft extension version with featherkey



deviation acc. to DIN 6885 sheet 1

DIN 332 - DR M20



Type of construction IM B3 (IM V5, IM V6) / Type of protection: IP55

	-	
Terminal box	gk863	1PH8163-1FD00-1BA1
Weight	196 kg	
Unit	mm (in)	
Date	2/5/20	
<b>SIEMENS AG</b>		
not toleranced dimensions: ± 1		DT