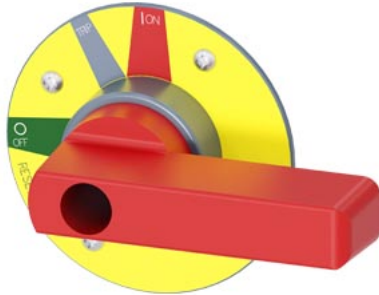
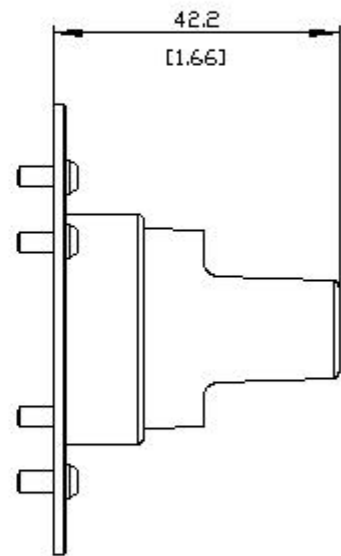
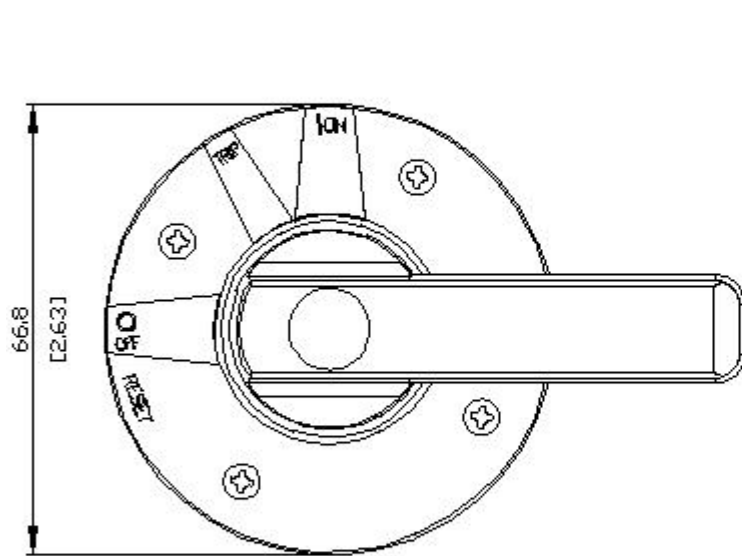


supplementary handle for door mounted rotary operator emergency-stop
accessory for: 3VA1 400/630 3VA2 400/630



Model	
product brand name	SENTRON
product designation	Accessories
Product version	Additional handle for door-coupling rotary operating mechanism
General technical data	
protection class IP	IP20
Mechanical Design	
Height	70 mm
Width	70 mm
depth	36 mm
net weight	54 g
Further information	
Information- and Downloadcenter (Catalogs, Brochures,...) http://www.siemens.com/lowvoltage/catalogs	
Industry Mall (Online ordering system) https://mall.industry.siemens.com/mall/en/en/Catalog/product?mlfb=3VA9487-0GC15	
Service&Support (Manuals, Certificates, Characteristics, FAQs,...) https://support.industry.siemens.com/cs/ww/en/ps/3VA9487-0GC15	
Image database (product images, 2D dimension drawings, 3D models, device circuit diagrams, ...) http://www.automation.siemens.com/bilddb/cax_en.aspx?mlfb=3VA9487-0GC15	
CAX-Online-Generator http://www.siemens.com/cax	
Tender specifications http://www.siemens.com/specifications	



last modified:

12/20/2020 