

enclosure with increased corrosion protection for position switch
 3SE51 56 mm wide, Metal with cover, turquoise Device connection 3
 x (M20 x 1.5)



| | |
|---|--|
| Product designation | enclosure with increased corrosion protection for standard position switch, metal, 54 mm wide, cover turquoise |
| General technical data | |
| Degree of pollution | class 3 |
| Protection class IP | IP66/IP67 |
| Shock resistance • acc. to IEC 60068-2-27 | 30 g / 11 ms |
| Reference code acc. to DIN EN 81346-2 | U |
| Reference code acc. to DIN EN 61346-2 | U |
| Active principle | mechanical |
| Length of the sensor | 85.7 mm |
| Width of the sensor | 56 mm |
| Design of the interface for safety-related communication | without |
| Enclosure | |
| Design of the housing | block, wide |
| Material of the enclosure | metal |
| Coating of the enclosure | cathodic immersion coating |
| Design of the housing acc. to standard | No |

| Drive Head | |
|-----------------------------------|---------------------------------|
| Design of the operating mechanism | Other, without, empty enclosure |
| Cable entry type | 3 x (M20 x 1.5) |

| Communication/ Protocol | |
|-------------------------|---------|
| Design of the interface | without |

| Ambient conditions | |
|--|------|
| Explosion protection category for dust | none |

| Installation/ mounting/ dimensions | |
|------------------------------------|--------------|
| Mounting position | any |
| Mounting type | screw fixing |

| Certificates/ approvals | | |
|--------------------------|---------------------------------------|---------------------------|
| General Product Approval | Functional Safety/Safety of Machinery | Declaration of Conformity |



[Type Examination Certificate](#)



| Declaration of Conformity | Test Certificates | other |
|-------------------------------|--|------------------------------|
| Miscellaneous | Type Test Certificates/Test Report | Confirmation |

Further information

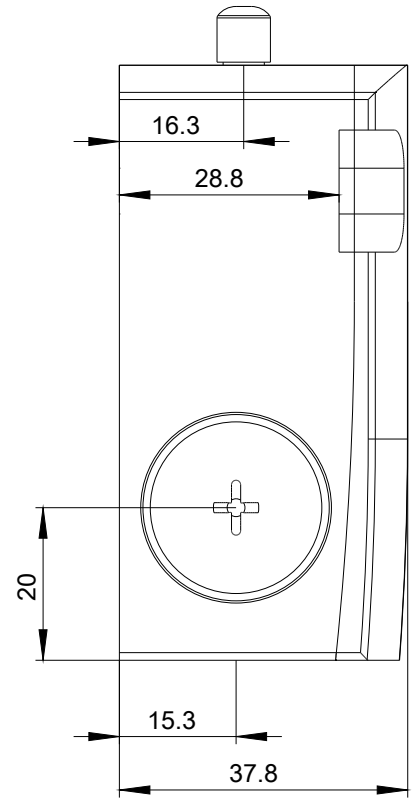
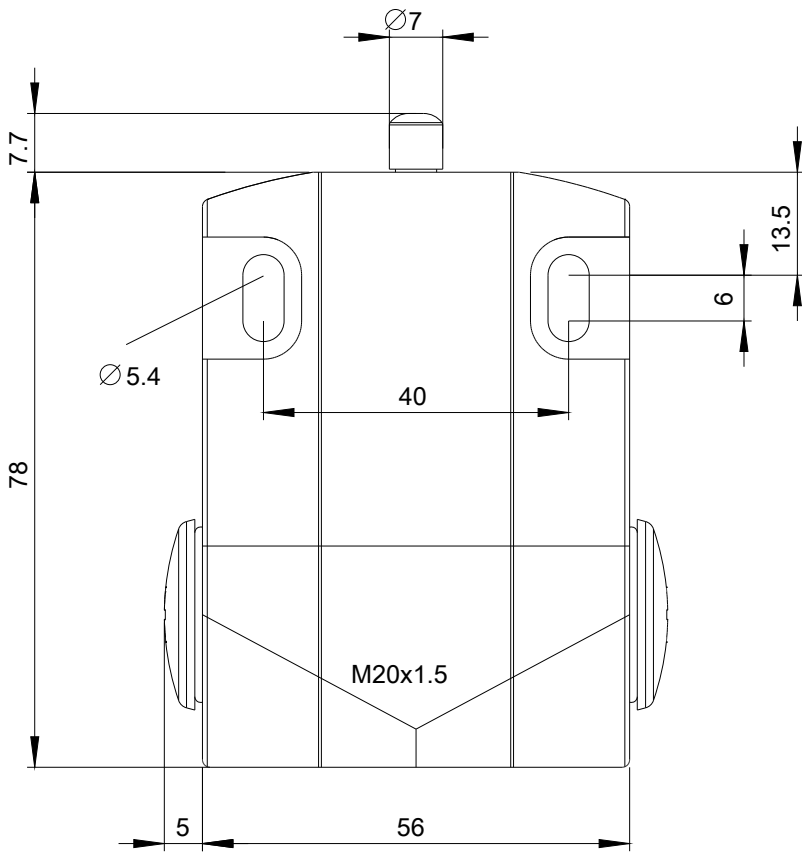
Information- and Downloadcenter (Catalogs, Brochures,...)
www.siemens.com/sirius/catalogs

Industry Mall (Online ordering system)
<https://mall.industry.siemens.com/mall/en/en/Catalog/product?mlfb=3SE5122-0AA00-1CA0>

Cax online generator
<http://support.automation.siemens.com/WW/CAXorder/default.aspx?lang=en&mlfb=3SE5122-0AA00-1CA0>

Service&Support (Manuals, Certificates, Characteristics, FAQs,...)
<https://support.industry.siemens.com/cs/ww/en/ps/3SE5122-0AA00-1CA0>

Image database (product images, 2D dimension drawings, 3D models, device circuit diagrams, EPLAN macros, ...)
http://www.automation.siemens.com/bilddb/cax_de.aspx?mlfb=3SE5122-0AA00-1CA0&lang=en



last modified:

07/26/2019