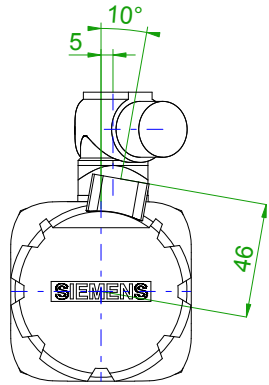
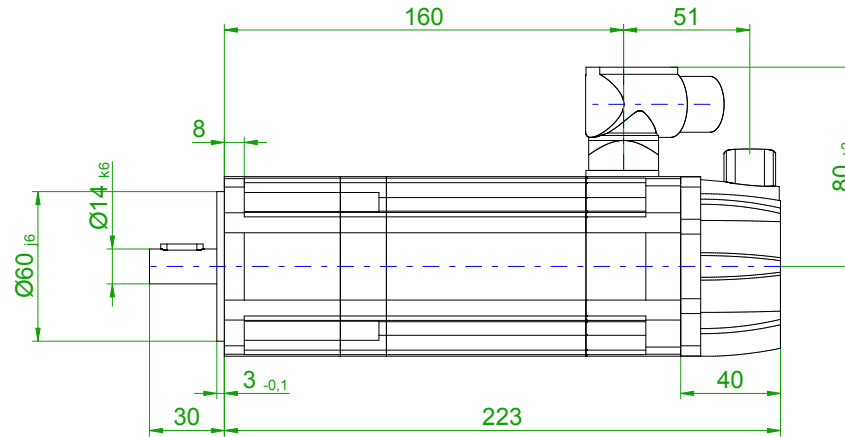
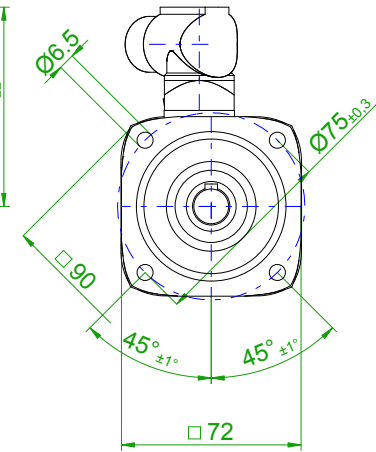


back view



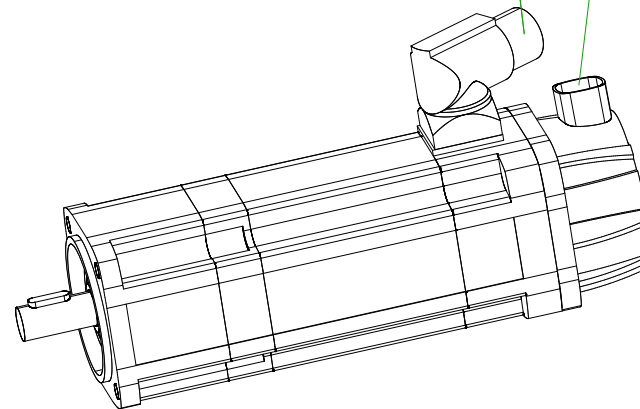
front view

center hole  
DIN 332-DR M5

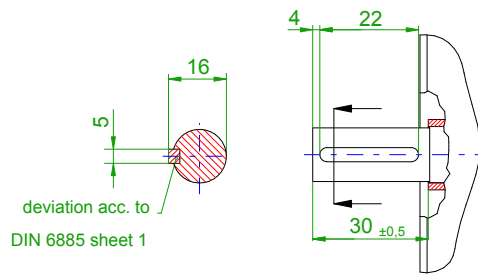


6-pole plug size 1  
for power and brake

10-pole  
signal plug

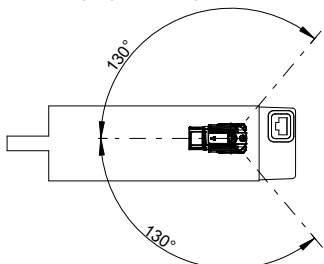


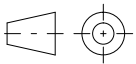
version with featherkey



deviation acc. to  
DIN 6885 sheet 1

rotating angle of the plug



		<b>SIEMENS</b>	
Einheit / unit: mm		Synchron-Servomotor Synchronous Servo Motor:	1FT7034-5AK71-1CB5
nicht tolerierte Maße / not toleranced dimensions:		Optionen / options:	
±1		Gewicht / mass:	4.2 kg
Maßstab / scale: ohne / without		Bemerkung / notice:	
CAD CREATOR 2.2 (WWW-Version V02.20.00.00)		Druckdatum / print date:	20.09.2019