



Specification grade area lights available in IES Type IV distributions. Best-in-class 5-G vibration rating. 5-year, limited warranty.

Color: Bronze

Weight: 20.9 lbs

**Project:**

**Type:**

**Prepared By:**

**Date:**

### Driver Info

Type	Constant Current
120V	0.55A
208V	0.33A
240V	0.29A
277V	0.25A
Input Watts	65.4W

### LED Info

Watts	65W
Color Temp	3000K (Warm)
Color Accuracy	71 CRI
L70 Lifespan	100,000 Hours
Lumens	6,300
Efficacy	96.3 lm/W

## Technical Specifications

### Listings

#### UL Listed:

Suitable for wet locations

#### IESNA LM-79 & IESNA LM-80 Testing:

RAB LED luminaires and LED components have been tested by an independent laboratory in accordance with IESNA LM-79 and LM-80.

#### Dark Sky Conformance:

Conforms to (allows for conformance to) the requirements for the IDA's "Fixture Seal of Approval" as of March 1, 2016.

#### DLC Listed:

This product is on the Design Lights Consortium (DLC) Qualified Products List and is eligible for rebates from DLC Member Utilities. DLC Product Code: PTFWA65X

### Performance

#### Lifespan:

100,000-Hour LED lifespan based on IES LM-80 results and TM-21 calculations

### Construction

#### IES Classification:

The Type IV distribution (also known as a Forward Throw) produces a semicircular distribute, and is especially suited for mounting on sides of buildings or walls and perimeter of parking areas

#### Effective Projected Area:

EPA = 0.8

#### Vibration Rating:

Industry-leading 5G vibration rating per ANSI C136.31

#### Cold Weather Starting:

Minimum starting temperature is -40°C (-40°F)

#### Ambient Temperature:

Suitable for use in up to 40°C (104°F)

### Housing:

Precision die-cast aluminum housing

### Mounting:

Mounts to RAB square poles. Mounts to all square and round poles if optional Universal Pole Adaptor is used.

### Lens:

Clear acrylic lens with integrated optics

### IP Rating:

Ingress Protection rating of IP66 for dust and water

## Technical Specifications (continued)

### Construction

#### Gaskets:

High-temperature silicone gaskets

#### Finish:

Formulated for high durability and long-lasting color

#### Green Technology:

Mercury and UV free. RoHS-compliant components.

### LED Characteristics

#### LEDs:

Long-life, high-efficacy, surface-mount LEDs

#### Color Uniformity:

RAB's range of Correlated Color Temperature follows the guidelines of the American National Standard for Specifications for the Chromaticity of Solid State Lighting (SSL) Products, ANSI C78.377-2017.

### Electrical

#### Driver:

Constant Current, Class 2, 100-277V, 50/60 Hz, 120V: 0.55A, 208V: 0.33A, 240V: 0.29A, 277V: 0.25A

#### THD:

7.2% at 120, 10.6% at 277V

#### Power Factor:

99.6% at 120V, 95.4% at 277V

#### Surge Protection:

L-N 4kV; L-L, L-GND 6kV

### Other

#### 5 Yr Limited Warranty:

Fixture operation and paint finish are covered for a period of 5-years. [See our full warranty here.](#)

### Bi-Level:

Allows 25%, 50% or 75% output modes

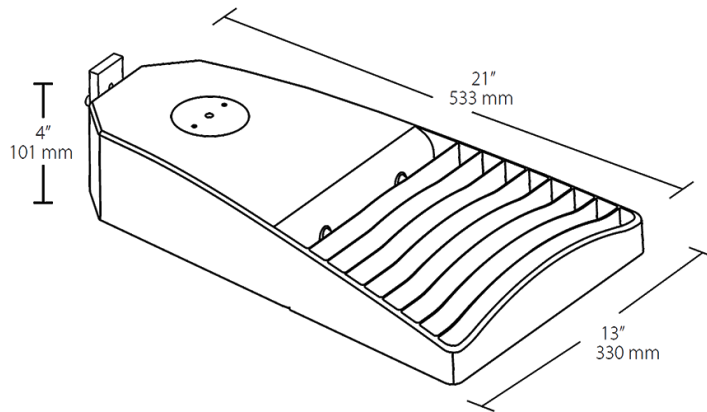
### Equivalency:

Equivalent to 150W Metal Halide

### Buy American Act Compliance:

RAB values USA manufacturing! Upon request, RAB may be able to manufacture this product to be compliant with the Buy American Act (BAA). Please contact customer service to request a quote for the product to be made BAA compliant.

## Dimensions



## Features

- 100,000-hour LED lifespan
- Type IV distribution

## Ordering Matrix

Family	IES Type	Wattage	Color Temp	Finish	Driver Options	Mounting	Sensor Options	Accessories	Other Options
LOT	4T	65	Y		/D10		/BL		
	<b>5T</b> = Type V <b>4T</b> = Type IV <b>3T</b> = Type III <b>2T</b> = Type II	<b>65</b> = 65W <b>110</b> = 110W <b>160</b> = 160W	<b>Blank</b> = 5000K (Cool) <b>N</b> = 4000K (Neutral) <b>Y</b> = 3000K (Warm)	<b>Blank</b> = Bronze <b>W</b> = White	<b>/D10</b> = 120-277V, 0-10V Dimming (standard) <b>/480/D10</b> = 480V, 0-10V Dimming	<b>Blank</b> = Mounts to RAB square poles <b>/UPA</b> = Universal Pole Adaptor	<b>Blank</b> = None <b>/PCT</b> = 120-277V Twistlock PC <b>/PCT4</b> = 480V Twistlock PC <b>/WS2</b> = Wattstopper Sensor + 20ft lens, 120-277V <b>/WS4</b> = Wattstopper Sensor + 40ft lens, 120-277V <b>/5PR</b> = 5-Pin Receptacle, no PCT <b>/7PR</b> = 7-Pin Receptacle, no PCT <b>/BL</b> = Bi-Level Dimming, 120-277V	<b>Blank</b> = None <b>/HS</b> = 2 House-Side-Shields <sup>1</sup>	<b>Blank</b> = Standard <b>USA</b> = BAA Compliant

<sup>1</sup> Available for Types II, III and IV only