



Reversing motor starter  
 NEMA controller size 3  
 3-Phase, 3-Pole  
 Maximum voltage rating 600VAC  
 Max Hp 60Hz: 25@200V; 30@230V; 50@460V; 50@575V  
 Solid-state overload relay(s) with 25–100A range  
 Control voltage 220–240/440–480VAC 60Hz  
 NEMA Type 4X fiberglass enclosure



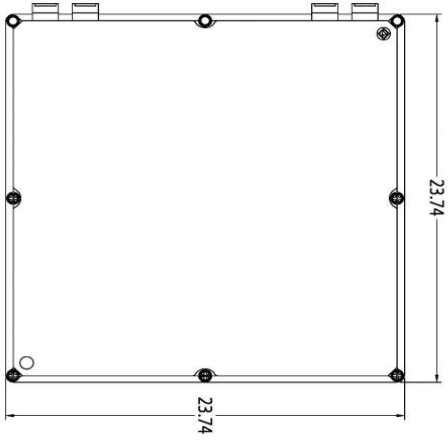
Image is representative and may not depict the actual product.

| <b>General technical data:</b>                    |  |
|---|--|
| Weight  | 47 lb  |
| Height x Width x Depth                            | 24 x 24 x 7 in.  |
| Finger-safe (main circuit / control circuit)      | NA / NA  |
| Maximum altitude                                  | 6560 ft  |
| Ambient storage temperature                       | (-30 to 65)°C / (-22 to 149)°F                         |
| Ambient operating temperature                     | (-20 to 40)°C / (-4 to 104)°F                          |
| Humidity (% non-condensing)                       | (no data)  |
| Rated impulse voltage resistance                  | (no data)  |
| Rated insulation voltage                          | (no data)  |
| Country of origin                                 | USA  |
| <b>Contactors:</b>                                |  |
| Number of NO main contacts                        | 6  |
| Amp rating  | 90A  |
| Mechanical operating cycles                       | 5,000,000  |
| <b>Internal/standard auxiliary contact:</b>       |  |
| Number of NC / NO auxiliary contacts              | 2NC / 2NO  |
| Rating  | 10A@600VAC (A600), 5A@600VDC (P600)                    |
| <b>Optional auxiliary contact:</b>                |  |
| Max number of NC / NO auxiliary contacts          | 7 total  |
| Rating  | 10A@600VAC (A600), 5A@600VDC (P600)                    |
| <b>Coil:</b>                                      |  |
| Voltage   | 220–240/440–480VAC 60Hz Coil                           |
| Sealed watts                                      | 14W  |
| Inrush / sealed power                             | 310 / 26 VA  |
| Normal coil operating limits (% of rated voltage) | 85% - 110%   |
| Typical drop-out volts (% of rated voltage)       | 50%  |
| Pick-up time / Drop-out time                      | 26-41 / 14-19 msec                                     |
| <b>Overload Relay:</b>                            |  |
| Current range                                     | 25–100A  |
| Trip Class  | Class 5 / 10 / 20 (factory set) / 30                   |
| Trip detection                                    | Overload, phase failure, phase unbalance, ground fault |
| Phase failure sensitivity                         | Trip time after phase-loss: < 3 sec                    |
| Repeat accuracy                                   | Within 1%  |
| Reset options                                     | Manual, automatic and remote                           |
| External reset                                    | Yes  |
| Test function                                     | Electronics & manual actuation                         |
| Conformal coating on printed circuit board        | Yes  |
| Number of NC / NO auxiliary contacts              | 1NC / 1NO  |
| Rating of auxiliary contacts                      | 5A@600VAC (B600), 1A@250VDC (R300)                     |
| Single contact isolation                          | 600V   |

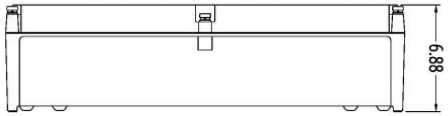
|  |  |
|--|--|
| Dual contact isolation                             | 300V differing polarity / 600V common polarity             |
| <b>Enclosure:</b>                                  |  |
| Type   | NEMA Type 4X fiberglass enclosure                          |
| Rating   | Dust-tight, watertight & corrosion resistant               |
| <b>Mounting/wiring:</b>                            |  |
| Mounting orientation                               | Vertical   |
| Mounting type                                      | Surface  |
| Line side connection type / torque                 | Box lug / 120 lb-in.                                       |
| Line side solid & stranded conductors              | 1x(14 - 2/0 AWG) 75°C AL or CU                             |
| Load side connection type / torque                 | Box lug / 120 lb-in.                                       |
| Load side solid & stranded conductors              | 1x(14 - 2/0 AWG) 75°C AL or CU                             |
| Coil connection type / torque                      | Screw / 5 lb in. - 12 lb in.                               |
| Coil solid & stranded conductors                   | 2 x (16 - 12 AWG) CU 60/75°C                               |
| Main auxiliary contact connection type / torque    | Screw / 10 - 15 lb-in                                      |
| Main auxiliary contact solid & stranded conductors | 1 x (12 AWG), 2 x (16 - 14 AWG), 2 x (18 - 16 AWG) 75°C CU |
| OLR auxiliary contact connection type / torque     | Screw / 7 lb in. - 10 lb in.                               |
| OLR auxiliary contact solid & stranded conductors  | 2 x (20 - 14 AWG) CU 60/75°C                               |
| <b>Short circuit current rating:</b>               |  |
| Fuses  | 10kA@600V (Class H or K); 100kA@600V (Class R or J)        |
| Thermal Magnetic Circuit Breaker                   | 14kA@240V; 10kA@600V                                       |
| <b>Certificates/approvals:</b>                     |  |
|  | <a href="#">UL (file no. E14900)</a>                       |
|  | <a href="#">cUL (file no. E14900 for Canada)</a>           |
|  | <a href="#">CSA (file no. 006535 C 000)</a>                |
|  | <a href="#">ISO 9001 certification</a>                     |
| <b>Additional information:</b>                     |  |
|  | <a href="#">Brochure</a>                                   |
|  | <a href="#">OLR instruction sheet &amp; trip curves</a>    |

OUTLINE 24X24X7 NEMA 4X FIBERGLASS

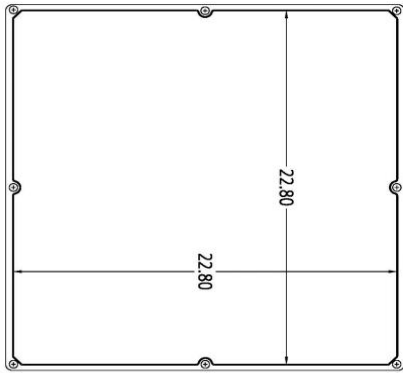
FRONT VIEW



RIGHT SIDE VIEW



FRONT VIEW COVER REMOVED



DIMENSIONS ARE IN INCHES.  
FILE NAME: SFIS-24139861003-0211

