



Project:	Type:
Prepared By:	Date:

**Technical Specifications**

**Performance**

**Product Type:**

Decorative

**Input Wattage:**

3W

**Wattage Equivalency:**

40W Incandescent

**Lumens (Nominal):**

350lm

**Efficacy:**

88lm/W

**L70 Lifespan:**

15,000 Hours

**Construction**

**Bulb Shape:**

G25

**Finish:**

Clear

**Base Type:**

E26 Edison

**For Use Outdoors in Open Fixtures:**

No

**LED Characteristics**

**Color Temperature:**

2700K Soft White

**Color Accuracy (CRI):**

90 CRI

**Electrical**

**Power Factor:**

0.7

**Operating Temperature:**

-20°C to 45°C (-4°F to 113°F)

**Dimmable:**

Yes, down to 10%

**Input Voltage:**

120V

**Flicker:**

<30%

**Optical**

**Beam Angle:**

360°

**Other**

**Warranty:**

RAB warrants that our LED products will be free from defects in materials and workmanship for a period of three (3) years from the date of delivery to the end user, including coverage of light output, color stability, driver performance and fixture finish. RAB's warranty is subject to all terms and conditions found at [rablighting.com/warranty](http://rablighting.com/warranty).

**Buy American Act Compliance:**

RAB values USA manufacturing! Upon request, RAB may be able to manufacture this product to be compliant with the Buy American Act (BAA). Please contact customer service to request a quote for the product to be made BAA compliant.

**Compliance**

**ETL Qualified:**

Yes

**Energy Star Approved:**

This product is ENERGY STAR® Version 2.0 Certified

**Energy Star ID:**

2330367

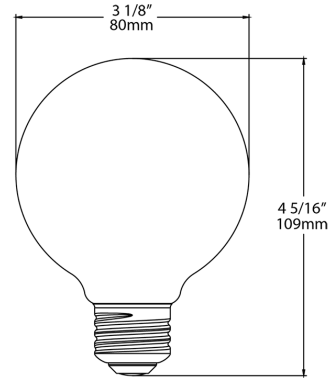
**California Energy Commission (CEC) Status:**

Lawful for Sales in California

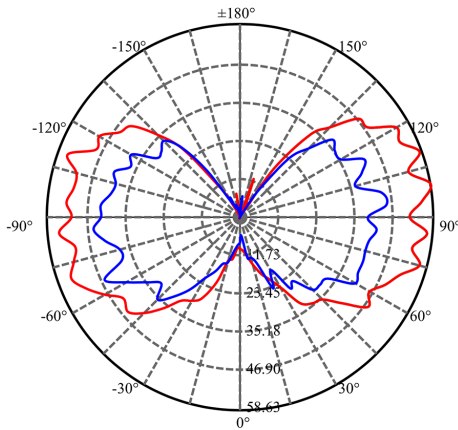
Case and Pallet Dimensions

	QTY	LENGTH (in)	WIDTH (in)	HEIGHT (in)
CASE	6	10.4	7	6
PALLET	528	42.5	38.5	39.5

Dimension



Light Distribution



Features

- Replacement for conventional decorative lamps
- Filament LED construction gives a unique traditional look and feel for decorative and ambient applications
- Produces rich and vibrant colors, >90CRI
- Rated for use in enclosed and open fixtures in wet locations
- Longer lifespan compared to legacy equivalents minimizes replacement and maintenance costs
- Title 20 Compliant, ENERGY STAR Compliant, UL Listed
- Smooth uniform dimming down to 10% (check dimmer compatibility list)

Ordering Matrix

Family	Wattage	Base Type	CRI/Color Temp	Type	Finish
G25	3	E26	927	F	C
	3 = 3W 5 = 5W	E26 = E26	927 = 90 CRI, 2700K 950 = 90 CRI, 5000K 940 = 90 CRI, 4000K 930 = 90 CRI, 3000K	F = Filament	C = Clear F = Frosted