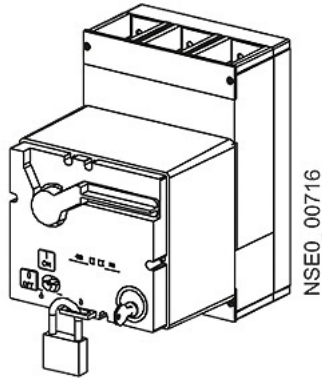


accessory for VL630, VL800, mot. op. mech. w/ strd en. mech 42...48V AC/DC



Model	
product brand name	SETRON
product designation	Motorized operating mechanism with stored energy mechanism
design of the product	Accessories for VL630; VL800
type of the driving mechanism	Motorized operating mechanism with spring energy store
General technical data	
operating frequency maximum	60 1/h
Voltage	
fuse protection type for external auxiliary power supply required	NEOZED fuse (gL/gG): 4 A / miniature circuit breaker, C char.: 4 A
operating range factor control supply voltage rated value	
• at DC initial value	0.85
• at DC full-scale value	1.1
• at AC at 50 Hz initial value	0.85
• at AC at 50 Hz full-scale value	1.1
• at AC at 60 Hz initial value	0.85
• at AC at 60 Hz full-scale value	1.1
Protection class	
protection class IP	IP30
Control current	
operating apparent power	250 VA
control supply voltage	
• at DC rated value minimum	48 V
• at DC rated value maximum	42 V
• at AC at 50 Hz rated value minimum	42 V
• at AC at 50 Hz rated value maximum	48 V
• at AC at 60 Hz rated value minimum	42 V
• at AC at 60 Hz rated value maximum	48 V
pulse duration minimum	50 ms
Connections	
stripped length	10 mm
connectable conductor cross-section solid	
• minimum	0.75 mm ²
• maximum	1.5 mm ²
connectable conductor cross-section stranded	
• minimum	0.75 mm ²
• maximum	1.5 mm ²
connectable conductor cross-section finely stranded with core end processing	
• minimum	0.75 mm ²
• maximum	1.5 mm ²

tightening torque	
• maximum	1 N·m

Mechanical Design

height	190 mm
width	173 mm
depth	160 mm
net weight	5 486 g

Environmental conditions

ambient temperature during operation	
• minimum	-25 °C
• maximum	70 °C
ambient temperature during storage	
• minimum	-40 °C
• maximum	80 °C

Certificates

reference code according to IEC 81346-2	M
---	---

Approvals Certificates

General Product Approval	Test Certificates	other
--------------------------	-------------------	-------

[Confirmation](#)



EG-Konf.



[Special Test Certificate](#)

[Miscellaneous](#)

other	Environment
-------	-------------

[Confirmation](#)

[Environmental Confirmations](#)

[Environmental Confirmations](#)

Further information

Information on the packaging

<https://support.industry.siemens.com/cs/ww/en/view/109813875>

Information- and Downloadcenter (Catalogs, Brochures,...)

<http://www.siemens.com/lowvoltage/catalogs>

Industry Mall (Online ordering system)

<https://mall.industry.siemens.com/mall/en/en/Catalog/product?mlfb=3VL9600-3ML00>

Service&Support (Manuals, Certificates, Characteristics, FAQs,...)

<https://support.industry.siemens.com/cs/ww/en/ps/3VL9600-3ML00>

Image database (product images, 2D dimension drawings, 3D models, device circuit diagrams, ...)

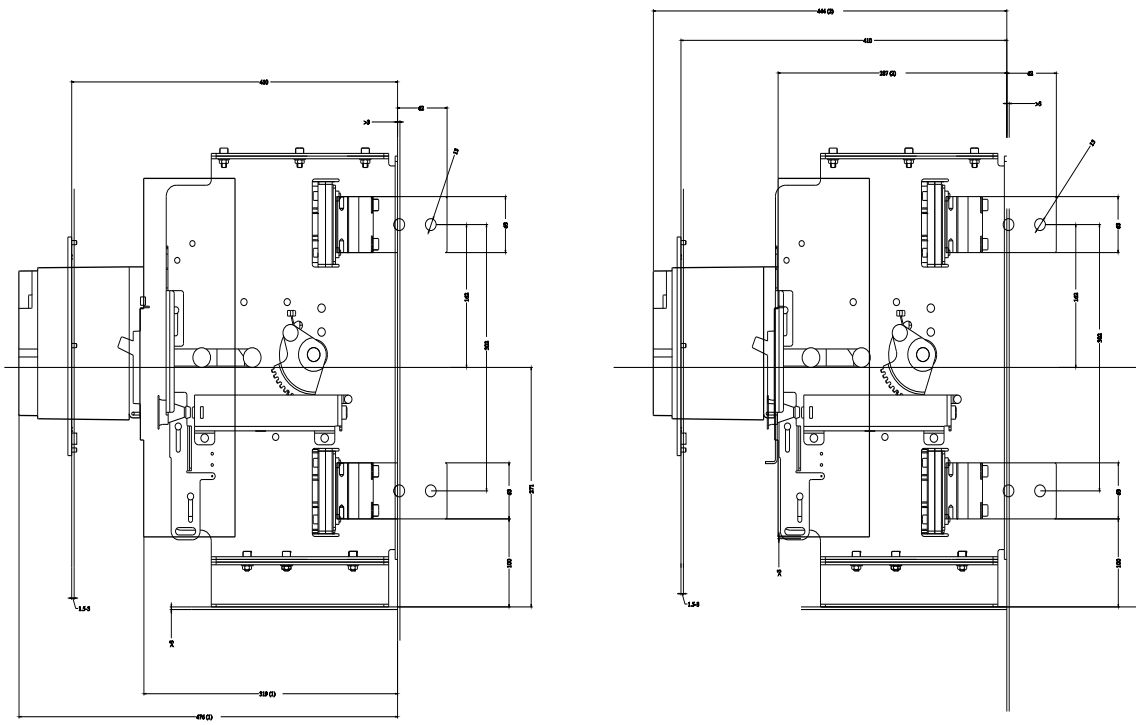
http://www.automation.siemens.com/bilddb/cax_en.aspx?mlfb=3VL9600-3ML00

CAX-Online-Generator

<http://www.siemens.com/cax>

Tender specifications

<http://www.siemens.com/specifications>



(1) Anzeigebühne
 (2) Blaupause

last modified:

3/11/2024 