



Load feeder fuseless, Direct-on-line starting 400 V AC, Size S0 23.0...28.0 A 24 V DC Spring-type terminal for 60 mm busbar systems (also fulfills type of coordination 1) Type of coordination 2, I<sub>q</sub> = 150 kA 1 NO+1 NC (contactor)

<b>product brand name</b>	SIRIUS
<b>product designation</b>	Direct (on-line) starter
<b>design of the product</b>	for 60 mm busbars
<b>product type designation</b>	3RA21
<b>manufacturer's article number</b>	
<ul style="list-style-type: none"> <li>• of the supplied contactor</li> <li>• of the supplied circuit-breakers</li> <li>• of the supplied busbar adapter</li> <li>• of the supplied link module</li> </ul>	<a href="#">3RT2027-2BB40</a> <a href="#">3RV2021-4NA20</a> <a href="#">8US1251-5NT11</a> <a href="#">3RA2921-2AA00</a>
<b>General technical data</b>	
<b>size of the circuit-breaker</b>	S0
<b>size of load feeder</b>	S0
insulation voltage with degree of pollution 3 at AC rated value	690 V
<b>surge voltage resistance rated value</b>	6 kV
shock resistance acc. to IEC 60068-2-27	6g / 11 ms
mechanical service life (switching cycles) of contactor typical	10 000 000
<b>type of assignment</b>	2
<b>type of protection according to ATEX directive 2014/34/EU</b>	Ex II (2) GD
certificate of suitability according to ATEX directive 2014/34/EU	DMT 02 ATEX F 001
Substance Prohibition (Date)	01.10.2009 00:00:00
<b>Ambient conditions</b>	
<ul style="list-style-type: none"> <li>• ambient temperature during operation</li> <li>• ambient temperature during storage</li> <li>• ambient temperature during transport</li> </ul>	-20 ... +60 °C -50 ... +80 °C -50 ... +80 °C
<b>temperature compensation</b>	-20 ... +60 °C
relative humidity during operation	10 ... 95 %
<b>Main circuit</b>	
<b>number of poles for main current circuit</b>	3
<b>design of the switching contact</b>	electromechanical
<b>adjustable current response value current of the current-dependent overload release</b>	23 ... 28 A
<ul style="list-style-type: none"> <li>• operating voltage rated value</li> <li>• operating voltage at AC-3 rated value maximum</li> </ul>	690 V 690 V
<b>operating frequency rated value</b>	50 ... 60 Hz

operational current at AC-3 at 400 V rated value	28 A		
operating power at AC-3			
• at 400 V rated value	15 000 W		
<b>Control circuit/ Control</b>			
<b>type of voltage of the control supply voltage</b>	DC		
<b>control supply voltage at DC</b>			
• rated value	24 V		
<b>Auxiliary circuit</b>			
<b>product extension auxiliary switch</b>	Yes		
<b>Protective and monitoring functions</b>			
<b>trip class</b>	CLASS 10		
<b>design of the overload release</b>	thermal (bimetallic)		
<b>Short-circuit protection</b>			
<b>product function short circuit protection</b>	Yes		
<b>design of the short-circuit trip</b>	magnetic		
<b>conditional short-circuit current (I<sub>q</sub>)</b>			
• at 400 V acc. to IEC 60947-4-1 rated value	150 000 A		
<b>Installation/ mounting/ dimensions</b>			
<b>mounting position</b>	vertical		
<b>fastening method</b>	for snapping onto 60 mm busbar systems		
<b>height</b>	260 mm		
<b>width</b>	45 mm		
<b>depth</b>	165 mm		
<b>required spacing</b>			
• for grounded parts			
— forwards	20 mm		
— backwards	0 mm		
— upwards	50 mm		
— at the side	20 mm		
— downwards	10 mm		
• for live parts			
— forwards	20 mm		
— backwards	0 mm		
— upwards	50 mm		
— downwards	10 mm		
— at the side	20 mm		
<b>Connections/ Terminals</b>			
<b>type of electrical connection</b>			
• for main current circuit	spring-loaded terminals		
<b>Safety related data</b>			
<b>touch protection against electrical shock</b>	finger-safe		
<b>touch protection on the front acc. to IEC 60529</b>	finger-safe, for vertical contact from the front		
<b>Certificates/ approvals</b>			
General Product Approval	For use in hazardous locations	Declaration of Conformity	Test Certificates



[Miscellaneous](#)



[Special Test Certificate](#)

Test Certificates

Marine / Shipping

[Type Test  
Certificates/Test  
Report](#)



Marine / Shipping

other

Railway



[Confirmation](#)

[Vibration and Shock](#)

#### Further information

Information- and Downloadcenter (Catalogs, Brochures,...)

<https://www.siemens.com/ic10>

Industry Mall (Online ordering system)

<https://mall.industry.siemens.com/mall/en/en/Catalog/product?mlfb=3RA2120-4NH27-0BB4>

Cax online generator

<http://support.automation.siemens.com/WW/CAXorder/default.aspx?lang=en&mlfb=3RA2120-4NH27-0BB4>

Service&Support (Manuals, Certificates, Characteristics, FAQs,...)

<https://support.industry.siemens.com/cs/ww/en/ps/3RA2120-4NH27-0BB4>

Image database (product images, 2D dimension drawings, 3D models, device circuit diagrams, EPLAN macros, ...)

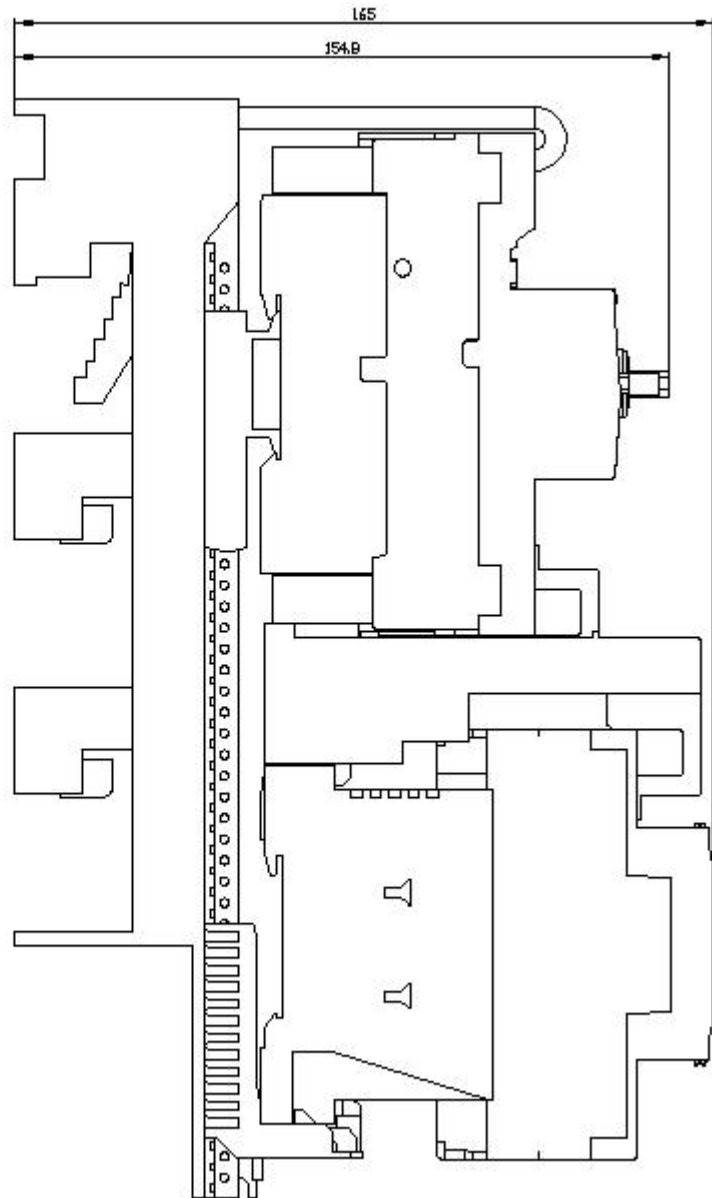
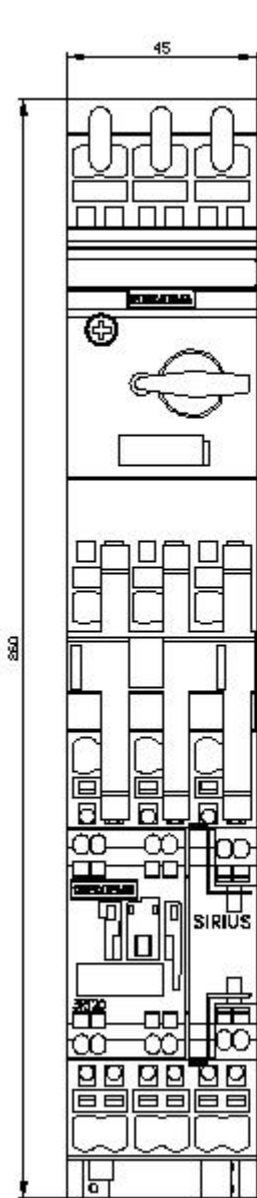
[http://www.automation.siemens.com/bilddb/cax\\_de.aspx?mlfb=3RA2120-4NH27-0BB4&lang=en](http://www.automation.siemens.com/bilddb/cax_de.aspx?mlfb=3RA2120-4NH27-0BB4&lang=en)

Characteristic: Tripping characteristics, I<sup>2</sup>t, Let-through current

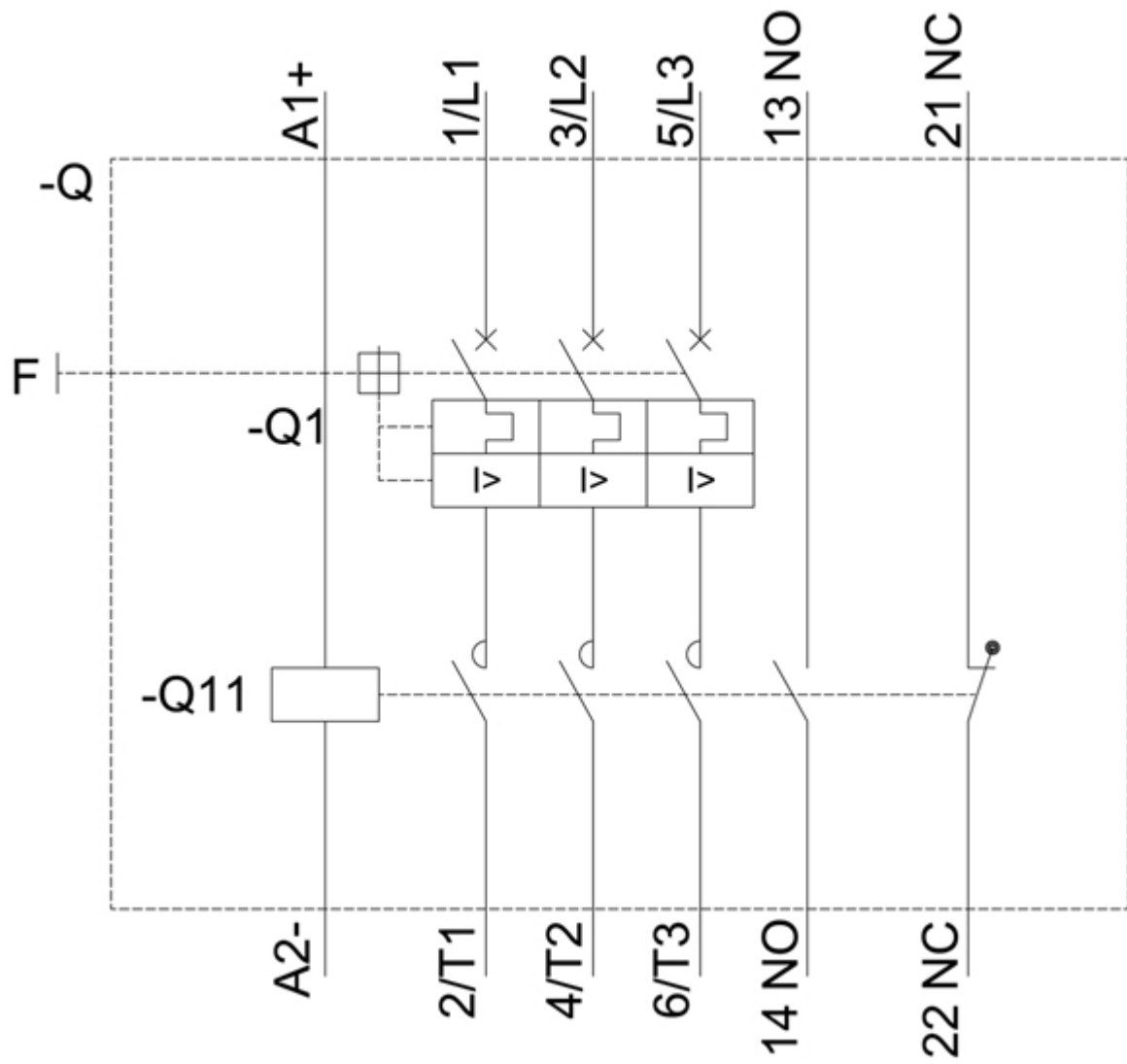
<https://support.industry.siemens.com/cs/ww/en/ps/3RA2120-4NH27-0BB4/char>

Further characteristics (e.g. electrical endurance, switching frequency)

<http://www.automation.siemens.com/bilddb/index.aspx?view=Search&mlfb=3RA2120-4NH27-0BB4&objecttype=14&gridview=view1>







last modified:

1/12/2021 