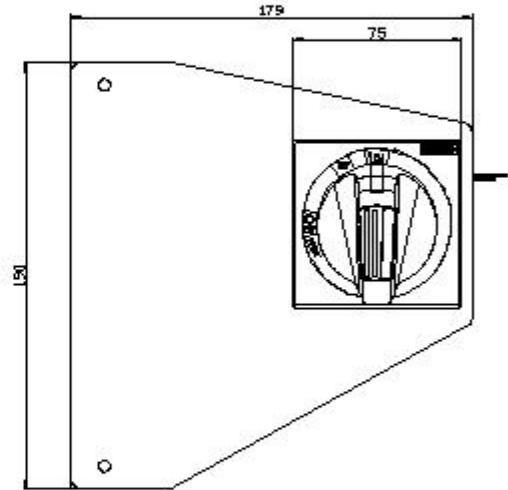
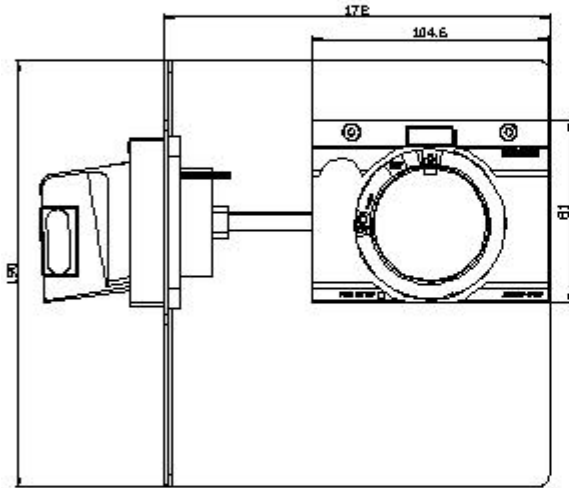


side wall mounted rot. operator emergency-stop IEC IP65 with mounting bracket 24V DC lighting kit accessory for: 3VA2 100/160/250



Model	
product brand name	SETRON
product designation	Accessories
Product version	Side wall-mounted rotary operator
Accessories	Side panel rotary operating mechanism
General technical data	
protection class IP	IP65
Mechanical Design	
Height	82 mm
net weight	1 846 g
Further information	
Information- and Downloadcenter (Catalogs, Brochures,...) http://www.siemens.com/lowvoltage/catalogs	
Industry Mall (Online ordering system) https://mall.industry.siemens.com/mall/en/en/Catalog/product?mlfb=3VA9267-0PK57	
Service&Support (Manuals, Certificates, Characteristics, FAQs,...) https://support.industry.siemens.com/cs/ww/en/ps/3VA9267-0PK57	
Image database (product images, 2D dimension drawings, 3D models, device circuit diagrams, ...) http://www.automation.siemens.com/bilddb/cax_en.aspx?mlfb=3VA9267-0PK57	
Tender specifications http://www.siemens.com/specifications	



last modified:

12/20/2020 