

busbar system busbar center-to-center spacing 60 mm device adapter, width: 72 mm busbar thickness: 5.10 mm+TT profile for equipment with circuit breaker SIRIUS size S3 (100 A) length 182 mm operating range 480-690 V

Model	
product brand name	SENTRON
product designation	Device adapter
design of the product	Accessories
Connections	
type of electrical connection	AWG 4
Mechanical Design	
height	182 mm
width of the adapter	54 mm
depth	60 mm
thickness of the busbar	
• minimum	5 mm
busbar center-to-center spacing	60 mm
net weight	476 g

Approvals Certificates		
General Product Approval	Test Certificates	Marine / Shipping



[Miscellaneous](#)



other	Environment
-------	-------------

[Confirmation](#)

[Miscellaneous](#)

[Environmental Con-
firmations](#)

[Environmental Con-
firmations](#)

Further information

Information on the packaging

<https://support.industry.siemens.com/cs/ww/en/view/109813875>

Information- and Downloadcenter (Catalogs, Brochures,...)

<http://www.siemens.com/lowvoltage/catalogs>

Industry Mall (Online ordering system)

<https://mall.industry.siemens.com/mall/en/en/Catalog/product?mlfb=8US1211-4TM00>

Service&Support (Manuals, Certificates, Characteristics, FAQs,...)

<https://support.industry.siemens.com/cs/ww/en/ps/8US1211-4TM00>

Image database (product images, 2D dimension drawings, 3D models, device circuit diagrams, ...)

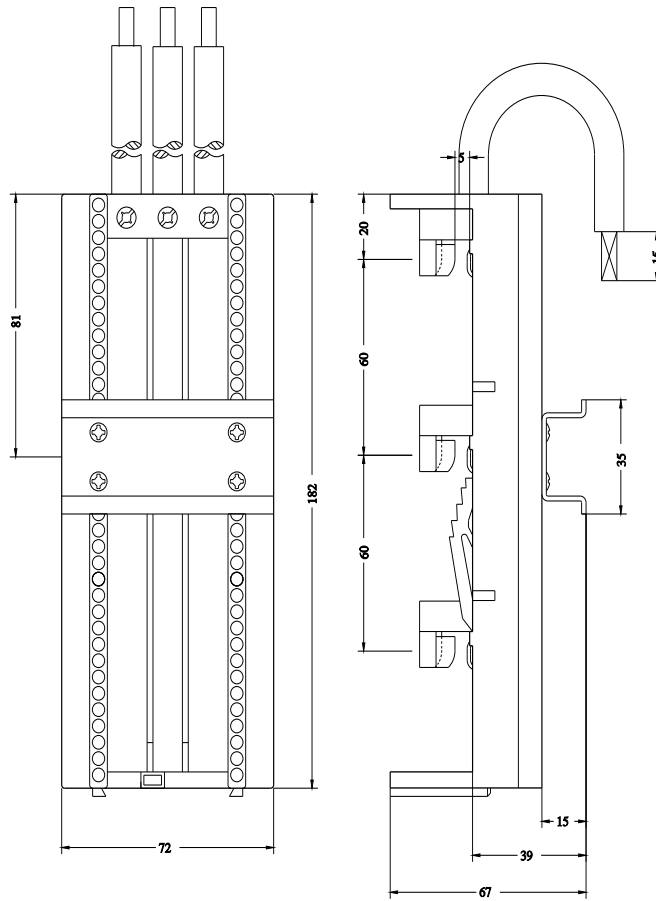
http://www.automation.siemens.com/bilddb/cax_en.aspx?mlfb=8US1211-4TM00

CAX-Online-Generator

<http://www.siemens.com/cax>

Tender specifications

<http://www.siemens.com/specifications>



last modified:

4/11/2025 

