



**Non-reversing motor starter with non-fusible disconnect  
NEMA controller size 1**

**3-Phase, 3-Pole**

**Maximum voltage rating 600VAC**

**Max Hp 60Hz: 2@200V; 2@230V; 5@460V; 5@575V**

**Solid-state overload relay(s) with 3–12A range**

**Control voltage 24VAC 50-60Hz**

**NEMA Type 4,12 enclosure**

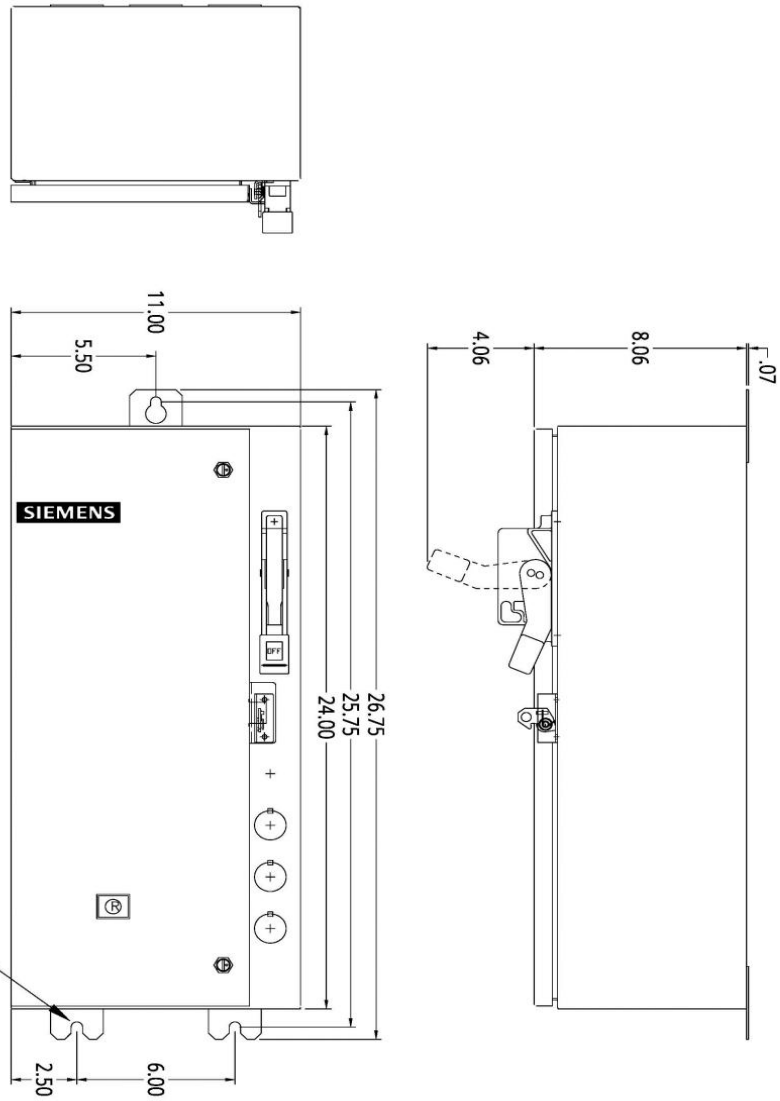


Image is representative and may not depict the actual product.

| <b>General technical data:</b>                    |  |
|---|--|
| Weight  | 34 lb  |
| Height x Width x Depth                            | 24 x 11 x 8 in.  |
| Finger-safe (main circuit / control circuit)      | NA / NA  |
| Maximum altitude                                  | 6560 ft  |
| Ambient storage temperature                       | (-30 to 65)°C / (-22 to 149)°F                         |
| Ambient operating temperature                     | (-20 to 40)°C / (-4 to 104)°F                          |
| Humidity (% non-condensing)                       | (no data)  |
| Rated impulse voltage resistance                  | (no data)  |
| Rated insulation voltage                          | (no data)  |
| Country of origin                                 | USA  |
| <b>Contactors:</b>                                |  |
| Number of NO main contacts                        | 3  |
| Amp rating  | 27A  |
| Mechanical operating cycles                       | 10,000,000   |
| <b>Internal/standard auxiliary contact:</b>       |  |
| Number of NC / NO auxiliary contacts              | 0NC / 1NO  |
| Rating  | 10A@600VAC (A600), 5A@600VDC (P600)                    |
| <b>Optional auxiliary contact:</b>                |  |
| Max number of NC / NO auxiliary contacts          | 8 total  |
| Rating  | 10A@600VAC (A600), 5A@600VDC (P600)                    |
| <b>Coil:</b>                                      |  |
| Voltage   | 24VAC 50-60Hz Coil                                     |
| Sealed watts                                      | 8.6W   |
| Inrush / sealed power                             | 218 / 25 VA  |
| Normal coil operating limits (% of rated voltage) | 85% - 110%   |
| Typical drop-out volts (% of rated voltage)       | 50%  |
| Pick-up time / Drop-out time                      | 19-29 / 10-24 msec                                     |
| <b>Overload Relay:</b>                            |  |
| Current range                                     | 3–12A  |
| Trip Class  | Class 5 / 10 / 20 (factory set) / 30                   |
| Trip detection                                    | Overload, phase failure, phase unbalance, ground fault |
| Phase failure sensitivity                         | Trip time after phase-loss: < 3 sec                    |
| Repeat accuracy                                   | Within 1%  |
| Reset options                                     | Manual, automatic and remote                           |
| External reset                                    | Yes  |
| Test function                                     | Electronics & manual actuation                         |
| Conformal coating on printed circuit board        | Yes  |
| Number of NC / NO auxiliary contacts              | 1NC / 1NO  |
| Rating of auxiliary contacts                      | 5A@600VAC (B600), 1A@250VDC (R300)                     |

|  |   |
|--|---|
| Single contact isolation                           | 600V  |
| Dual contact isolation                             | 300V differing polarity / 600V common polarity  |
| <b>Disconnect Switch:</b>                          |   |
| Rating   | 30A/600V non-fusible  |
| Fuse type accepted                                 | NA  |
| <b>Enclosure:</b>                                  |   |
| Type   | NEMA Type 4,12 enclosure  |
| Rating   | Dust-tight, watertight & weather proof  |
| <b>Mounting/wiring:</b>                            |   |
| Mounting orientation                               | Vertical  |
| Mounting type                                      | Surface   |
| Line side connection type / torque                 | Box lug / 35 lb in (14 - 10); 40 lb in (8); 45 lb in (6 - 4) AWG  |
| Line side solid & stranded conductors              | 1x(14 - 2 AWG) 60/75°C AL or CU   |
| Load side connection type / torque                 | Screw / 35 lb-in.   |
| Load side solid & stranded conductors              | 1x(14 - 2 AWG) 75°C AL or CU  |
| Coil connection type / torque                      | Screw / 5 lb in. - 12 lb in.  |
| Coil solid & stranded conductors                   | 2 x (16 - 12 AWG) CU 60/75°C  |
| Main auxiliary contact connection type / torque    | Screw / 10 - 15 lb-in   |
| Main auxiliary contact solid & stranded conductors | 1 x (12 AWG), 2 x (16 - 14 AWG), 2 x (18 - 16 AWG) 75°C CU  |
| OLR auxiliary contact connection type / torque     | Screw / 7 lb in. - 10 lb in.  |
| OLR auxiliary contact solid & stranded conductors  | 2 x (20 - 14 AWG) CU 60/75°C  |
| <b>Short circuit current rating:</b>               |   |
| Fuses  | 10kA@600V (Class H or K); 100kA@600V (Class R or J)   |
| <b>Certificates/approvals:</b>                     |   |
|  | <a href="#">UL (file no. E185287)</a><br><a href="#">cUL (file no. E185287 for Canada)</a><br><a href="#">CSA (file no. 006535 C 000)</a><br><a href="#">ISO 9001 certification</a> |
| <b>Additional information:</b>                     |   |
|  | <a href="#">Brochure</a><br><a href="#">OLR instruction sheet &amp; trip curves</a>   |

**OUTLINE 24X11X8 NEMA 12/3/3R/4**



MOUNTING HOLES FOR  
1/4" SCREWS QTY. 3

DIMENSIONS ARE IN INCHES.  
FILE NAME: SFIS-D68774004-0211



REF. D68782001