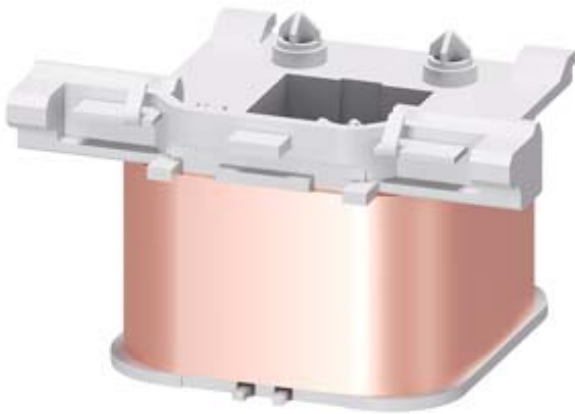


Magnet coil for contactors S2, 48 V AC, 50 / 60 Hz,



General technical data	
Product brand name	SIRIUS
Product designation	Magnet coil
Control circuit	
Type of voltage of the control supply voltage	AC
Control supply voltage frequency	
<ul style="list-style-type: none"> <li>• 1 rated value</li> <li>• 2 rated value</li> </ul>	50 Hz 60 Hz
Control supply voltage	
<ul style="list-style-type: none"> <li>• 1 at AC                             <ul style="list-style-type: none"> <li>— at 50 Hz rated value</li> <li>— at 60 Hz rated value</li> </ul> </li> </ul>	48 V 48 V
Operating range factor control supply voltage rated value of magnet coil at AC	
<ul style="list-style-type: none"> <li>• at 50 Hz</li> <li>• at 60 Hz</li> </ul>	0.8 ... 1.1 0.85 ... 1.1
Certificates/approvals	

General Product Approval	EMC	Declaration of Conformity	Shipping Approval
--------------------------	-----	---------------------------	-------------------



[Miscellaneous](#)



**other**

[Confirmation](#)

**Further information**

**Information- and Downloadcenter (Catalogs, Brochures,...)**

<http://www.siemens.com/industrial-controls/catalogs>

**Industry Mall (Online ordering system)**

<https://mall.industry.siemens.com/mall/en/en/Catalog/product?mlfb=3RT2934-5AH21>

**Cax online generator**

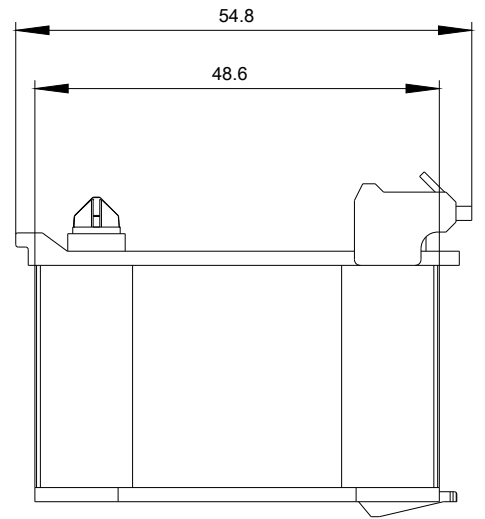
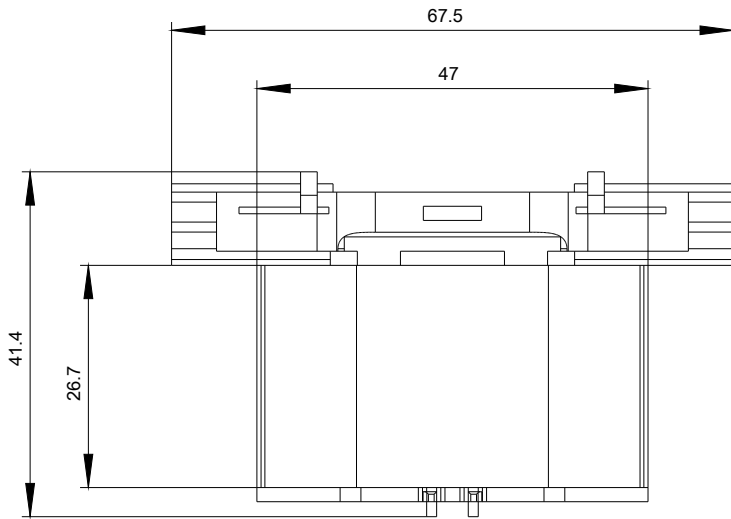
<http://support.automation.siemens.com/WW/CAXorder/default.aspx?lang=en&mlfb=3RT2934-5AH21>

**Service&Support (Manuals, Certificates, Characteristics, FAQs,...)**

<https://support.industry.siemens.com/cs/ww/en/ps/3RT2934-5AH21>

**Image database (product images, 2D dimension drawings, 3D models, device circuit diagrams, EPLAN macros, ...)**

[http://www.automation.siemens.com/bilddb/cax\\_de.aspx?mlfb=3RT2934-5AH21&lang=en](http://www.automation.siemens.com/bilddb/cax_de.aspx?mlfb=3RT2934-5AH21&lang=en)



last modified:

07/25/2019