

Standard actuator Plastic 40 mm long, for position switch with separate actuator 3SE51/3SE52 and AS-i 3SF11/3SF12



Product brand name	SIRIUS
Product designation	actuator
Product type designation	3SE5

### General technical data

<b>Shock resistance</b>	
<ul style="list-style-type: none"> <li>• acc. to IEC 60068-2-27</li> </ul>	30 g / 11 ms
<b>Mechanical service life (switching cycles)</b>	
<ul style="list-style-type: none"> <li>• typical</li> </ul>	1 000 000
Reference code acc. to DIN EN 81346-2	T
Reference code acc. to DIN EN 61346-2	T
Active principle	mechanical

### Drive Head

Design of the operating mechanism	Standard actuator, plastic
-----------------------------------	----------------------------

### Ambient conditions

<b>Ambient temperature</b>	
<ul style="list-style-type: none"> <li>• during operation</li> </ul>	-25 ... +85 °C
<ul style="list-style-type: none"> <li>• during storage</li> </ul>	-40 ... +90 °C

### Installation/ mounting/ dimensions

Mounting position	any
Mounting type	screw fixing

### Certificates/ approvals

General Product Approval	Functional Safety/Safety of Machinery	Declaration of Conformity
--------------------------	---------------------------------------	---------------------------



CSA



UR



[Type Examination Certificate](#)



EG-Konf.

[Miscellaneous](#)

### other

[Confirmation](#)

### Further information

**Information- and Downloadcenter (Catalogs, Brochures,...)**

[www.siemens.com/sirius/catalogs](http://www.siemens.com/sirius/catalogs)

**Industry Mall (Online ordering system)**

<https://mall.industry.siemens.com/mall/en/en/Catalog/product?mlfb=3SE5000-0AW11>

**Cax online generator**

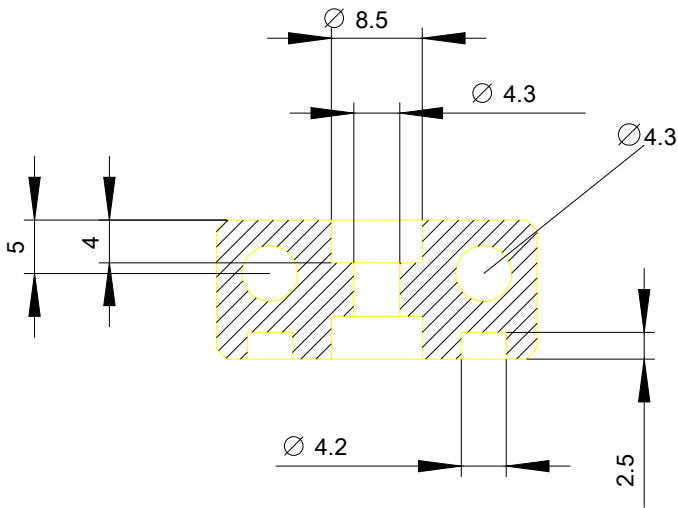
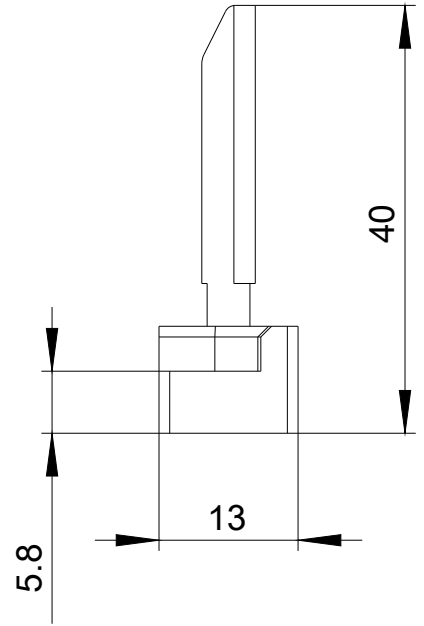
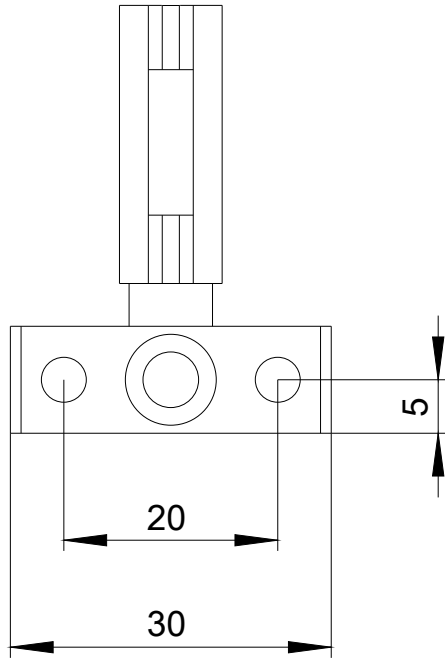
<http://support.automation.siemens.com/WW/CAXorder/default.aspx?lang=en&mlfb=3SE5000-0AW11>

**Service&Support (Manuals, Certificates, Characteristics, FAQs,...)**

<https://support.industry.siemens.com/cs/ww/en/ps/3SE5000-0AW11>

**Image database (product images, 2D dimension drawings, 3D models, device circuit diagrams, EPLAN macros, ...)**

[http://www.automation.siemens.com/bilddb/cax\\_de.aspx?mlfb=3SE5000-0AW11&lang=en](http://www.automation.siemens.com/bilddb/cax_de.aspx?mlfb=3SE5000-0AW11&lang=en)



last modified:

11/13/2019