



Silicone-free protective cover for mushroom pushbutton 40 mm 22 mm design, clear

product brand name	SIRIUS ACT	
product designation	Silicone-free protective cap	
design of the product	for 40 mm mushroom pushbuttons	
product type designation	3SU1	
<b>General technical data</b>		
protection class IP	IP66, IP67	
degree of protection NEMA rating	1, 2, 3, 3R, 4, 4X, 12	
Substance Prohibitance (Date)	10/01/2014	
Weight	8 g	
<b>Ambient conditions</b>		
ambient temperature		
• during operation	-25 ... +70 °C	
• during storage	-40 ... +80 °C	
<b>Environmental footprint</b>		
Environmental Product Declaration (EPD)	Yes	
global warming potential [CO2 eq] total	0.787 kg	
global warming potential [CO2 eq] during manufacturing	0.566 kg	
global warming potential [CO2 eq] during operation	0.235 kg	
global warming potential [CO2 eq] after end of life	-0.015 kg	
<b>Installation/ mounting/ dimensions</b>		
depth	31 mm	
<b>Accessories</b>		
material of accessory	Plastic	
color of accessory	clear	
<b>Approvals Certificates</b>		
General Product Approval	Test Certificates	other



[Type Test Certificates/Test Report](#)

[Confirmation](#)

**Environment**



Siemens EcoTech



[Environmental Confirmations](#)

## Further information

### Information on the packaging

<https://support.industry.siemens.com/cs/ww/en/view/109813875>

### Information- and Downloadcenter (Catalogs, Brochures,...)

<https://www.siemens.com/ic10>

### Industry Mall (Online ordering system)

<https://mall.industry.siemens.com/mall/en/en/Catalog/product?mlfb=3SU1900-0EG70-0AA0>

### Cax online generator

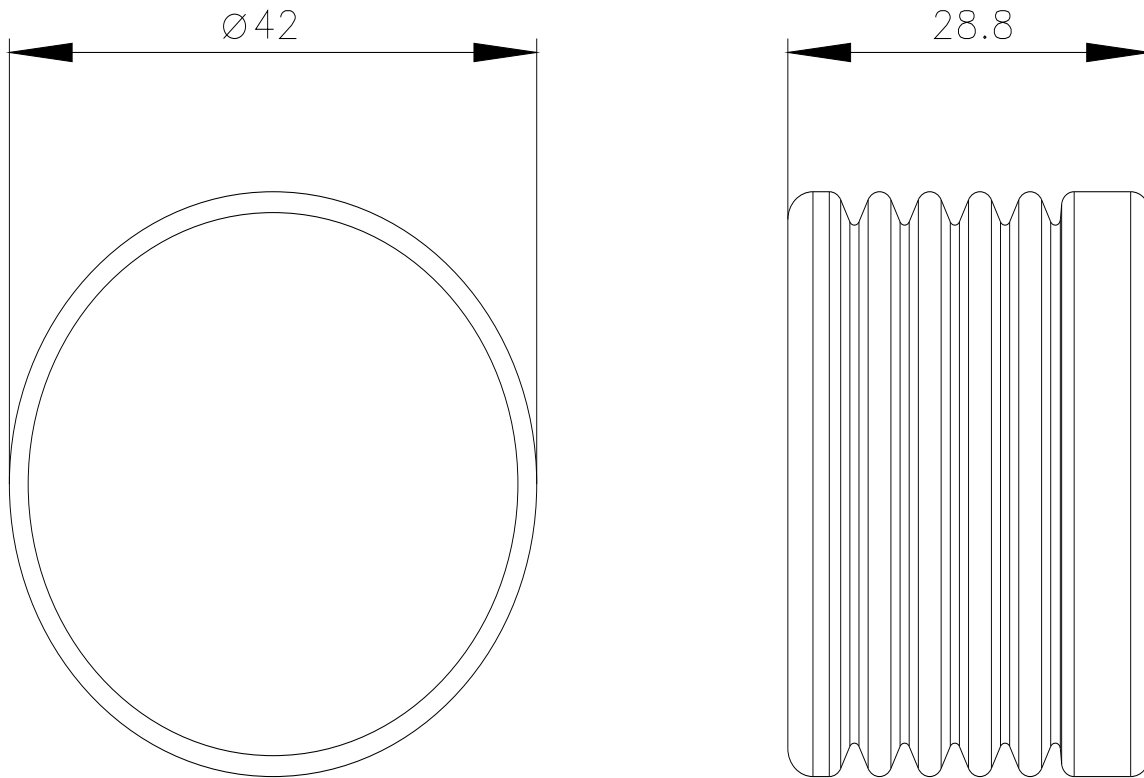
<http://support.automation.siemens.com/WW/CAXorder/default.aspx?lang=en&mlfb=3SU1900-0EG70-0AA0>

### Service&Support (Manuals, Certificates, Characteristics, FAQs,...)

<https://support.industry.siemens.com/cs/ww/en/ps/3SU1900-0EG70-0AA0>

### Image database (product images, 2D dimension drawings, 3D models, device circuit diagrams, EPLAN macros, ...)

[http://www.automation.siemens.com/bilddb/cax\\_de.aspx?mlfb=3SU1900-0EG70-0AA0&lang=en](http://www.automation.siemens.com/bilddb/cax_de.aspx?mlfb=3SU1900-0EG70-0AA0&lang=en)



last modified:

2/29/2024 