



FEDERAL SIGNAL

Safety and Security Systems / Industrial

Advancing security and well-being.

Models 121A and 121S Vitalite® Rotating Lights



Installation and Maintenance Instructions

8444335D
REV. D 613
Printed in U.S.A.

français.....page 15
español.....página 29



Warranty – Seller warrants all goods for five years on parts and 2-1/2 years on labor, under the following conditions and exceptions: Seller warrants that all goods of Seller's manufacture will conform to any descriptions thereof for specifications which are expressly made a part of this sales contract and at the time of sale by Seller such goods shall be commercially free from defects in material or workmanship. Seller reserves the right at the Seller's discretion to "Repair and Return" or "Replace" any item deemed defective during the warranty period. This warranty does not cover travel expenses, the cost of specialized equipment for gaining access to the product, or labor charges for removal and reinstallation of the product. This warranty shall be ineffective and shall not apply to goods that have been subjected to misuse, neglect, accident, damage, improper maintenance, or to goods altered or repaired by anyone other than Seller or its authorized representative, or if five years have elapsed from the date of shipment of the goods by Seller with the following exceptions: lamps and strobe tubes are not covered under this warranty. Outdoor warning sirens and controllers manufactured by Federal Warning Systems are warranted for two years on parts and one year on labor. No agent, employee, representative or distributor of Seller has any authority to bind the Seller to any representation, affirmation, or warranty concerning the goods and any such representation, affirmation or warranty shall not be deemed to have become a part of the basics of the sales contract and shall be unenforceable. THE FOREGOING WARRANTIES ARE EXCLUSIVE AND IN LIEU OF ALL OTHER WARRANTIES OR MERCHANTABILITY, FITNESS FOR PURPOSE AND OF ANY OTHER TYPE, WHETHER EXPRESS OR IMPLIED. These warranties shall not apply unless Seller shall be given reasonable opportunity to investigate all claims for allegedly defective goods. Upon Seller's instruction a sample only of allegedly defective goods shall be returned to Seller for its inspection and approval. The basis of all claims for alleged defects in the goods not discoverable upon reasonable inspection thereof pursuant to paragraph 8 hereof must be fully explained in writing and received by Seller within thirty days after Buyer learns of the defect or such claim shall be deemed waived.



Industrial Systems

2645 Federal Signal Drive • University Park, IL 60484-3167
Tel.: 1-708-534-4756 • 1-877-289-3246 • Fax: 1-708-534-4852
www.federal-signal-indust.com • www.fs-isys.com

Contents

| | |
|------------------------------------------------------|----|
| Safety Messages to Installers | 5 |
| Overview of Models 121A and 121S | 6 |
| Unpacking the Light | 6 |
| Pipe Mounting the Light..... | 6 |
| Surface Mounting the Light..... | 6 |
| Wiring the Model 121A (24 Vdc)..... | 7 |
| Wiring the Model 121S (120 Vac)..... | 7 |
| Safety Messages to Maintenance Personnel..... | 8 |
| Replacing the Lamp | 9 |
| Cleaning the Reflector | 10 |
| Lubrification..... | 11 |
| Getting Repair Service or Technical Assistance | 11 |
| Ordering Accessories and Replacement Parts | 11 |
| Returning a Product for Credit..... | 12 |

Figures

| | |
|--------------------------------------------|----|
| Figure 1 Cross section of lamp..... | 10 |
|--------------------------------------------|----|

Tables

| | |
|----------------------------------------|----|
| Table 1 Replacement parts | 11 |
| Table 2 Mountng kits..... | 12 |

Safety Messages to Installers

⚠ WARNING

It is important to follow all instructions shipped with this product. This device is to be installed by a trained electrician who is thoroughly familiar with the National Electrical Code and/or Canadian Electrical Code and will follow the NEC and/or CEC Guidelines as well as all local codes. This light should be considered a part of the warning system and not the entire warning system.

The selection of the mounting location for the light, its controls and the routing of the wiring are to be accomplished under the direction of the facilities engineer and the safety engineer. In addition, listed below are some other important safety instructions and precautions you should follow:

- Read and understand all instructions before installing or operating this light.
- Do not connect this light to the system when power is on.
- After installation, make sure that all set screws and threaded joints are properly tightened.
- After installation, test the light to make sure that it is operating properly.
- After testing is complete, provide a copy of this instruction booklet to all personnel.
- Establish a procedure to routinely check the light for proper activation and operation.

Failure to follow all safety precautions and instructions may result in property damage, serious injury, or death.

Overview of Models 121A and 121S

Models 121A and 121S rotating lights are designed for mounting on a flat horizontal or vertical surface or on a 1/2" NPT threaded pipe. Mounting on a vertical surface with the lens positioned upward can be accomplished using a separately purchased Federal Signal wall (Model LWMB2) or corner (Model LCMB2) mounting bracket. The Model 121A is available for 24 Vdc, and the Model 121S is available for 120 Vac, 50/60 Hz.

Unpacking the Light

After unpacking the light, examine it for damage that may have occurred in transit. If the light has been damaged, do not attempt to install or operate it. File a claim immediately with the carrier, stating the extent of the damage. Carefully check all envelopes, shipping labels, and tags before removing or discarding them. If any parts are missing, please call Federal Signal Customer Support at 708-534-4756 or 877-289-3246.

Pipe Mounting the Light

Models 121A and 121S can be mounted on 1/2 inch pipe. Mounting hardware and installation details are left to the installer.

NOTE: To prevent the connection from loosening, tighten the fixture to a MINIMUM torque of 5 ft.-lb (6.8 N•m) after threading it onto the pipe.

Surface Mounting the Light

To mount the light on a flat surface:

1. Using the gasket as a template, scribe the three mounting holes and the center hole for surface mounting.
2. Drill a 3/16" (4.8 mm) diameter hole at each of the three scribed mounting marks.
3. Drill or punch a 1" (25.4 mm) diameter hole at the center for the wires.

4. Place the light on the gasket and attach the light to the mounting surface using the provided #8-32 screws.

Wiring the Model 121A (24 Vdc)

⚠ WARNING

SHOCK HAZARD—To avoid electrical shock hazards, do not connect wires while power is applied.

NOTICE

REVERSE POLARITY/MISWIRING—The 121A is polarity sensitive and MAY BE DAMAGED by incorrect electrical hookup. Damage will result if the voltage rating of the particular model is exceeded.

The Model 121A direct current unit is supplied with two leads (one red and one black).

To wire the light:

1. Connect the red (+) lead to the positive power-source terminal.
2. Connect the black (-) to the negative power-source terminal.
3. Test the light for proper operation.

Wiring the Model 121S (120 Vac)

⚠ WARNING

SHOCK HAZARD—To avoid electrical shock hazards, do not connect wires while power is applied.

The 120 Vac units are designed to operate on both 50 Hz and 60 Hz electrical power. Special modifications are NOT required for the two different AC line frequencies.

The Model 121S alternating current units are supplied with three leads (one black, one white, and one green/yellow).

Installation and Maintenance Instructions

To wire the light:

1. Connect the black lead to the phase side of the power source.
2. Connect the white lead to the common (neutral) side of the power source.
3. Connect the the green/yellow lead to earth ground.
4. Test the light for proper operation.

Safety Messages to Maintenance Personnel

Listed below are some important safety instructions and precautions you should follow:

- Read and understand all instructions before operating this system.
- Any maintenance to the light system must be done with the power turned off.
- Any maintenance to the light system must be performed by a trained electrician in accordance with NEC/CEC Guidelines and local codes.
- Never alter the unit in any manner. Safety may be endangered if additional openings or other alterations are made to units.
- The nameplate, which contains cautionary or other information of importance to maintenance personnel, should not be obscured.
- If the dome is damaged in any way, the complete dome assembly **MUST** be replaced.
- After performing any maintenance, test the light system to ensure that it is operating properly.

Failure to follow all safety precautions and instructions may result in property damage, serious injury, or death.

Replacing the Lamp

⚠ WARNING

SHOCK HAZARD—*To avoid electrical shock hazards, do not disconnect or connect wires while power is applied.*

⚠ CAUTION

HANDLE THE LAMP CAREFULLY—*Incandescent lamps get hot enough to burn you. Always allow these lamps to cool before handling it. Incandescent lamps are also pressurized and, if broken, can result in flying glass. Failure to follow this warning may result in personal injury.*

⚠ CAUTION

DO NOT TOUCH LAMP WITH BARE HANDS—*Oil deposits on the glass portion of the incandescent lamp can cause the glass to fracture during use. If you are unsure if the glass has been handled without gloves, clean the glass using a soft cloth and isopropyl alcohol before installing the lamp.*

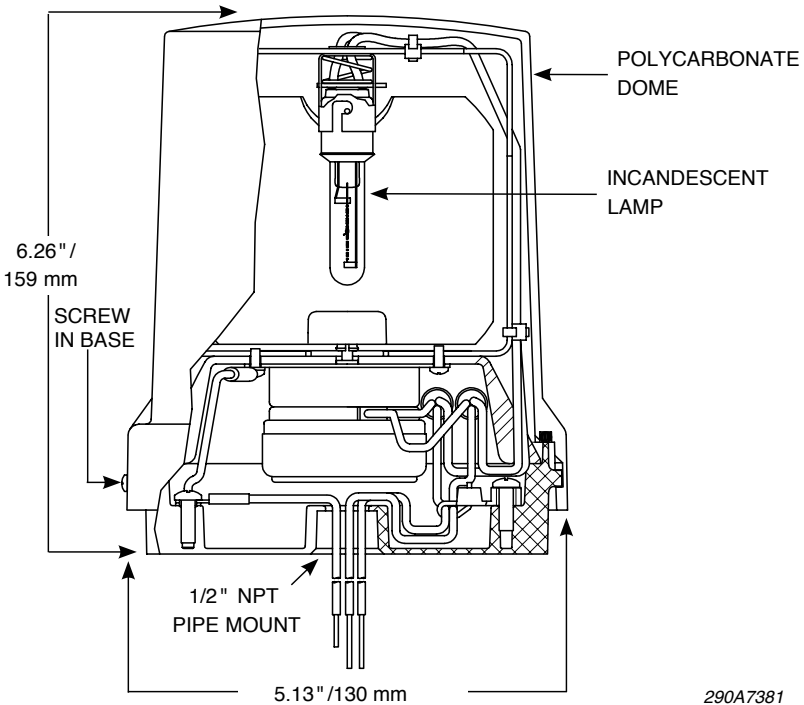
To replace the lamp:

1. Disconnect power and allow the lamp to cool.
2. See Figure 1 on page 10. Remove the screw located at the bottom of the dome.
3. Grasp the top of the dome and push it down while turning the dome counter-clockwise approximately 3/4-inch.
4. Gently lift the dome away. Ensure the gasket between the dome and base is not lost.
5. Grasp the lamp as close to the base as possible, and gently push the lamp toward the socket while turning it counter-clockwise.
6. Insert the new lamp while gently pushing it toward the socket while turning the lamp clockwise. Make sure not to leave any residue on the glass.

Installation and Maintenance Instructions

7. Before replacing dome, ensure that the gasket is properly seated on the housing base.
8. Place the dome over the base while aligning the recesses inside the dome lip with the four pins on the base. Push down on the dome and turn it clockwise until it locks in place (approximately 3/4-inch).
9. Replace the screw in the bottom of the dome.
10. Test the light for proper operation.

Figure 1 Cross section of lamp



Cleaning the Reflector

To clean the reflector:

1. Disconnect power and allow the lamp to cool.

2. See Figure 1 on page 10. Remove the screw located at the bottom of the dome.
3. Grasp the top of the dome and push it down while turning the dome counter-clockwise approximately 3/4-inch.
4. Gently lift the dome away. Ensure the gasket between the dome and base is not lost.
5. Use a soft cloth and any liquid household cleaner to gently clean the reflector. DO NOT USE abrasive cleaners.
6. Before replacing dome, ensure that the gasket is properly seated on the housing base.
7. Place the dome over the base while aligning the recesses inside the dome lip with the four pins on the base. Push down on the dome and turn it clockwise until it locks in place (approximately 3/4-inch).
8. Replace and tighten the screw in the bottom of the dome.

Lubrication

The Motor-Gear Reducer Assembly is a sealed unit. Therefore, no lubrication is required.

Getting Repair Service or Technical Assistance

Products returned for repair require a Return Authorization form from your local distributor or from Federal Signal. To obtain repair service or technical assistance from Federal Signal, call 708-534-4756 or 877-289-3246. For instruction manuals and information on related products, visit:
<http://www.federsignal-indust.com>.

Ordering Accessories and Replacement Parts

Typical spare parts are listed in Table 1 on page 12. To order accessories and replacement parts, call Federal Signal Customer Support at 708-534-4756 or 877-289-3246.

Table 1 Replacement parts

| Description | Part Number |
|----------------------|--------------------|
| Dome, Clear | K8444357 |
| Dome, Blue | K8444357-01 |
| Dome, Amber | K8444357-02 |
| Dome, Red | K8444357-03 |
| Dome, Green | K8444357-04 |
| Dome, Magenta | K8444357-05 |
| Lamp, 24 V | K8107236 |
| Lamp, 120 V, Krypton | K8107251 |

Table 2 Mounting kits

| Description | Part Number |
|----------------------|--------------------|
| Wall Mount Bracket | LWMB2 |
| Corner-Mount Bracket | LCMB2 |

Returning a Product for Credit

Product returns for credit require a return authorization from your local distributor prior to returning the product to Federal Signal. Please contact your distributor for assistance.

A product is qualified to be returned for credit when the following conditions are met:

- Product is resalable and in the original cartons
- Product has not been previously installed
- Product is the current revision
- Product has not been previously repaired
- Product is a standard product
- Product is not a service part

All returns are subject to a re-stock fee.

Defective products that are returned within the warranty period

Installation and Maintenance Instructions

will be repaired or replaced at Federal Signal's sole discretion. Defective products do not include those products with lamp failure.

Circumstances other than those listed above will be addressed on a case-by-case basis



Industrial Systems

2645 Federal Signal Drive

University Park, IL 60484-3167

Phone: 1-877-289-3246 • 1-708-534-4756 • Fax: 1-708-534-4887

www.federal-signal-indust.com • www.fs-isys.com

© 2013 federal Signal Inc.



FEDERAL SIGNAL

Safety and Security Systems / Industrial

Advancing security and well-being.

Gyrophare Vitalite® Modèles 121A et 121S



Instructions d'installation et d'entretien

8444335D
REV. D 613
Imprimé aux États-Unis



Garantie – Le vendeur offre pour tous les produits une garantie de cinq ans sur les pièces et de 2,5 ans sur la main-d’oeuvre, selon les conditions et exceptions suivantes : le vendeur garantit que tous les produits qu’il fabrique seront conformes aux descriptions correspondant aux spécifications qui font expressément partie de ce contrat de vente et qu’au moment de la vente par le vendeur, de tels produits devront être exempts de défauts de matériel et de fabrication. Le vendeur se réserve le droit, à sa discrétion, de « réparer et renvoyer » ou de « remplacer » tout article jugé défectueux durant la période de garantie. Cette garantie ne couvre pas les frais de voyage, le coût de l’équipement spécialisé pour avoir accès au produit ou les frais de main-d’oeuvre liés au retrait et à la réinstallation du produit. Cette garantie sera inopérante et ne s’appliquera pas aux produits qui ont subi un mauvais usage, une négligence, un accident, des dommages ou un entretien inapproprié, ou aux produits modifiés ou réparés par toute personne autre que le vendeur ou son représentant autorisé, ou si cinq ans se sont écoulés depuis la date de l’envoi des produits par le vendeur avec les exceptions suivantes : les lampes et les tubes stroboscopiques ne sont pas couverts par cette garantie. Les sirènes d’alarme extérieures et les appareils de contrôle fabriqués par Federal Warning Systems sont couverts par une garantie de deux ans sur les pièces et de un an sur la main-d’oeuvre. Aucun agent, employé, représentant ou distributeur du vendeur n’a autorité pour lier celui-ci à une représentation, affirmation ou garantie relative aux produits et une telle représentation, affirmation ou garantie ne pourra pas être considérée comme faisant partie des généralités du contrat de vente et sera inexécutable. LES GARANTIES CI-DESSUS SONT EXCLUSIVES ET TIENNENT LIEU DE TOUTES LES AUTRES GARANTIES DE QUALITÉ MARCHANDE, DE COMPATIBILITÉ À UN USAGE PARTICULIER OU D’UN AUTRE TYPE, QU’ELLES SOIENT EXPRESSES OU IMPLICITES. Ces garanties ne s’appliqueront pas si le vendeur n’a pas la possibilité raisonnable d’enquêter sur toutes les réclamations de produits présumés défectueux. À la demande du vendeur, un seul échantillon des produits présumés défectueux lui sera renvoyé pour inspection et approbation. La raison de toute réclamation pour des défauts présumés dans les produits ne pouvant être découverts après une inspection raisonnable en vertu du paragraphe 8 ci-contre doit être entièrement expliquée par écrit et reçue par le vendeur dans les trente jours après que l’acheteur a pris connaissance du défaut. Sinon, une telle réclamation sera considérée comme nulle.



Industrial Systems

2645 Federal Signal Drive • University Park, IL 60484-3167
Tel.: 1-708-534-4756 • 1-877-289-3246 • Fax: 1-708-534-4852
www.federal-signal-indust.com • www.fs-isys.com

Contenu

| | |
|---------------------------------------------------------------------|-----------|
| Messages de sécurité destinés aux installateurs | 19 |
| Tour d'horizon de la gamme 121A and 121S..... | 20 |
| Déballage de la lumière..... | 20 |
| Installation de la lumière sur un tuyau | 20 |
| Installation de la lumière sur une surface..... | 20 |
| Câblage de le modèle 121A (24 Vc.c.) | 21 |
| Câblage de le modèle 121S (120 Vc.a.)..... | 21 |
| Messages de sécurité destinés au personnel d'entretien | 22 |
| Remplacement de l'ampoule | 23 |
| Nettoyage du réflecteur | 25 |
| Service de réparations et à l'assistance technique | 26 |
| Accessoires et pièces de rechange..... | 26 |
| Renvoi du produit pour obtention d'un crédit..... | 27 |

Figures

| | |
|-------------------------------------------------------|-----------|
| Figure 1 Coupe transversale de la lumière..... | 24 |
|-------------------------------------------------------|-----------|

Tableaux

| | |
|--------------------------------------------|-----------|
| Tableaux 1 Pièces de rechange | 26 |
| Tableaux 2 Trousses de montage..... | 26 |

Messages de sécurité destinés aux installateurs

⚠️ AVERTISSEMENT

Bien suivre toutes les instructions fournies avec ce produit. Cet appareil doit être installé par un électricien qualifié qui connaît parfaitement le Code national de l'électricité et/ou le Code canadien de l'électricité, et suivra les directives du CNE et/ou du CCE, ainsi que des codes locaux. Cette lumière doit être considérée comme faisant partie du système d'avertissement et non comme le système lui-même.

Le choix du lieu d'installation de la lumière, les commandes et le passage des câbles doivent s'effectuer sous la direction de l'ingénieur des installations et de l'ingénieur de la sécurité. De plus, d'autres précautions et instructions importantes relatives à la sécurité et à observer figurent dans la liste ci-dessous :

- Bien lire et comprendre toutes les instructions avant d'installer ou d'utiliser cette lumière.
- Ne branchez pas ce dispositif au système lorsque l'alimentation est en marche.
- Une fois l'installation terminée, assurez-vous que toutes les vis de réglage sont bien serrées.
- Après l'installation, testez le gyrophare afin de vous assurer qu'il fonctionne correctement.
- Une fois les essais terminés, donnez une copie de ce feuillet d'instructions à tout le personnel opérationnel.
- Établissez une procédure de vérification routinière de l'installation du gyrophare pour assurer son intégrité et son fonctionnement adéquat.

Le non-respect de toutes les précautions et instructions de sécurité peut provoquer des dommages à la propriété, des blessures graves voire la mort.

Tour d'horizon de la gamme 121A and 121S

Les gyrophares de modèles 121A et 121S sont conçus pour un montage sur une surface horizontale ou verticale plate ou encore sur un tuyau fileté NPT de 1/2 po. Le montage sur une surface verticale, lentilles positionnées vers l'avant, peut être effectué à l'aide d'un support de montage mural (modèle LWMB2) ou de coin (modèle LCMB2) de Federal Signal, acheté séparément. Le modèle 121A est disponible en 24 Vc.c., et le modèle 121S est disponible en 120 Vc.a., 50/60 Hz.

Déballage de la lumière

Après avoir déballé la lumière, l'inspecter pour vérifier qu'aucun dommage n'est survenu lors du transport. Si la lumière a été endommagée, ne pas essayer de l'installer ou de l'utiliser. Déposer immédiatement une réclamation auprès du transporteur en précisant l'étendue des dégâts. Vérifier avec soin toutes les enveloppes, étiquettes d'expédition et autres étiquettes avant de les retirer ou de les détruire. En cas de pièces manquantes, communiquer avec le Service à la clientèle de Federal Signal au 708-534-4756 ou 877-289-3246.

Installation de la lumière sur un tuyau

Les modèles 121A et 121S peuvent être montés sur un tuyau de 1/2 po. La quincaillerie de montage et les détails d'installation sont laissés à l'installateur.

REMARQUE : Pour prévenir le relâchement de la connexion, serrez l'accessoire électrique selon une pression MINIMALE de 5pi.-lb. (6,8 N·m) après l'avoir vissé dans le tuyau.

Installation de la lumière sur une surface

Installation de la lumière sur une surface plane :

1. Utilisant le joint comme modèle, tracez les trous de montage et le trou central pour le montage sur surface.
2. Percez un trou de 3/16 po. (4,8 mm) de diamètre à chacune des trois marques de montage tracées.

3. Percez ou découpez un trou de 1po. (25,4mm) de diamètre au centre pour les fils.
4. Placez le gyrophare sur le support et attachez à la surface de montage à l'aide des vis no. 8-32 fournies.

Câblage de le modèle 121A (24 Vc.c.)

⚠️ AVERTISSEMENT

RISQUE DE CHOC ÉLECTRIQUE – Afin d'éviter les dangers de chocs électriques, ne pas brancher de fil tant que l'alimentation est activée.

AVIS

POLARITÉ INVERSÉE/MAUVAIS BRANCHEMENT – La lumière du modèle 121A est sensible de polarité et peut être endommagé s'il est mal branché. En particulier, il peut subir des dégâts en cas de dépassement de la tension nominale prévue.

L'appareil à courant direct de modèle 121A comporte deux fils (un rouge et un noir).

Pour brancher la lumière :

1. Brachez le fil rouge (+) à la borne positive de la source d'alimentation.
2. Brachez le fil noir (-) à la borne négative de la source d'alimentation.
3. Vérifier si la lumière fonctionne normalement.

Câblage de le modèle 121S (120 Vc.a.)

⚠️ AVERTISSEMENT

RISQUE DE CHOC ÉLECTRIQUE – Afin d'éviter les dangers de chocs électriques, ne pas brancher de fil tant que l'alimentation est activée.

Les unités 120 Vc.a. sont conçues pour fonctionner sur courant électrique de 50 et de 60 Hz. AUCUNE modification spéciale n'est requise pour les deux différentes fréquences de conduit c.a.

Instructions d'installation et d'entretien

Le appareil à courant alternatif de modèle 121S comportent trois fils (un noir, un blanc et un vert/jaune) pour les unités c.a. .

Pour brancher la lumière :

1. Branchez le fil noir au côté phase de la source d'alimentation.
2. Branchez le blanc au côté commun (neutre) de la source d'alimentation.
3. Branchez le fil vert/jaune à la mise à la terre.
4. Vérifier si la lumière fonctionne normalement.

Messages de sécurité destinés au personnel d'entretien

⚠ AVERTISSEMENT

Les précautions et instructions de sécurité à suivre sont listées ci-dessous :

- Bien lire et comprendre toutes les instructions avant d'utiliser ce système.
- N'altérez jamais l'appareil d'aucune façon.
- Tout entretien/maintenance au système de gyrophare doit être effectué par un électricien de formation conformément aux codes nationaux et locaux applicables dans le pays d'utilisation.
- La plaque signalétique, qui peut contenir un avertissement ou toute autre information d'importance destinée au personnel de maintenance, ne doit PAS être obstruée en aucune façon.
- Assurez-vous que la plaque signalétique demeure lisible lorsque l'extérieur du boîtier est peint.
- Si le dôme est abîmé d'une manière ou d'une autre, IL FAUT le remplacer.
- Après l'entretien, testez le gyrophare afin de vous assurer qu'il fonctionne correctement.

Le non-respect de toutes les précautions et instructions de sécurité peut provoquer des dommages à la propriété, des blessures graves voire la mort, à vous ou aux autres personnes.

Remplacement de l'ampoule

⚠ AVERTISSEMENT

RISQUE DE CHOC ÉLECTRIQUE – *Afin d'éviter les dangers de chocs électriques, ne pas brancher ou débrancher de fil tant que l'alimentation est activée.*

⚠ ATTENTION

MANIPULER LES LAMPES À INCANDESCENCES AVEC SOIN—*Le toujours laisser ces lampes refroidir avant de les manipuler. Les lampes stroboscopiques sont également pressurisées et, en cas de bris, des éclats de verre peuvent être projetés. Le non-respect de cette mise en garde peut provoquer des blessures.*

⚠ ATTENTION

NE PAS TOUCHER LES LAMPES À MAINS NUES—*Des dépôts d'huile sur la portion en verre de les lampes à incandescence peut causer une fêlure de la lampe lors de son utilisation. En cas de doute quant à la manipulation du verre avec ou sans gants, nettoyer le verre à l'aide d'un chiffon doux et de l'alcool isopropylique avant de procéder à l'installation de la lampe.*

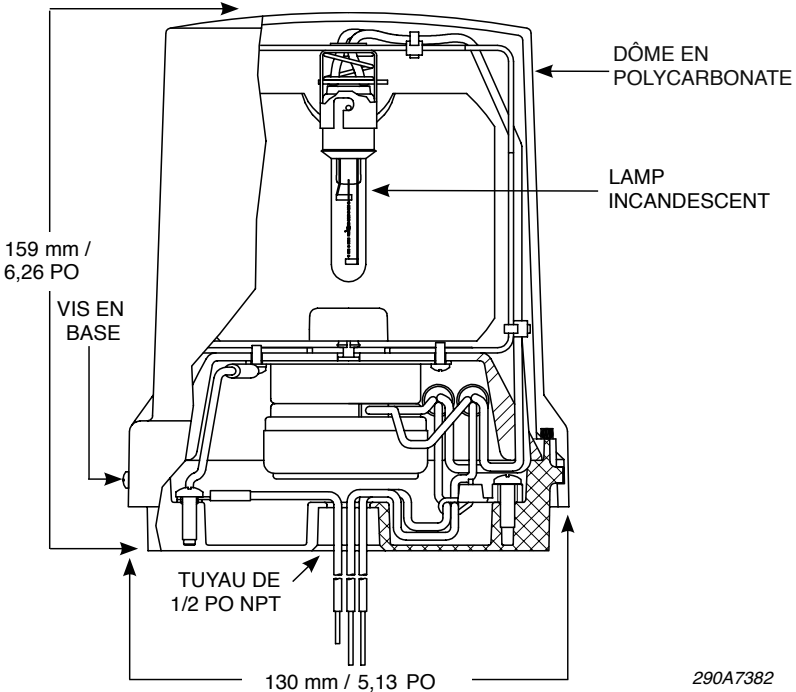
Pour remplacer l'ampoule :

1. Débranchez l'alimentation et laissez la lampe refroidir.
2. Voir figure 1 à la page 24. Retirez la vis située dans la partie inférieure du dôme.
3. Saisissez le haut du dôme et poussez vers le bas tout en tournant le dôme dans le sens inverse des aiguilles d'une montre d'environ 3/4 po.
4. Soulevez délicatement le dôme. Assurez-vous que vous n'avez pas perdu le support entre le dôme et la base.

Instructions d'installation et d'entretien

- Saisir la lampe, aussi près que possible de la base et la pousser doucement dans la douille en la faisant tourner dans le sens antihoraire.

Figure 1 Coupe transversale de la lumière



- Insérer la nouvelle lampe en la poussant doucement dans la douille et en la faisant tourner dans le sens horaire. Vérifier qu'il ne reste aucun résidu sur le verre de la lampe.
- Avant de replacer le dôme, assurez-vous que le support est correctement logé sur la base du boîtier.
- Placez le dôme par-dessus la base, en alignant les rainures dans la lèvre du dôme avec les quatre broches de la base. Poussez le dôme et tournez dans le sens des aiguilles d'une montre jusqu'à ce qu'il se verrouille en place (environ 3/4 po).
- Insérez la vis retirée à l'étape 2 dans la base et vissez-le fermement.

10. Testez le gyrophare pour vous assurer qu'il fonctionne adéquatement.

Nettoyage du réflecteur

Pour nettoyer le réflecteur :

1. Débranchez l'alimentation et laissez la lampe refroidir.
2. Voir figure 1 à la page 24. Retirez la vis située dans la partie inférieure du dôme.
3. Saisissez le haut du dôme et poussez vers le bas tout en tournant le dôme dans le sens inverse des aiguilles d'une montre d'environ 3/4 po.
4. Soulevez délicatement le dôme. Assurez-vous que vous n'avez pas perdu le support entre le dôme et la base.
5. Utilisez un chiffon doux et un nettoyeur domestique liquide. N'UTILISEZ PAS de nettoyeurs abrasifs.
6. Avant de replacer le dôme, assurez-vous que le support est correctement logé sur la base du boîtier.
7. Placez le dôme par-dessus la base, en alignant les rainures dans la lèvre du dôme avec les quatre broches de la base. Poussez le dôme et tournez dans le sens des aiguilles d'une montre jusqu'à ce qu'il se verrouille en place (environ 3/4 po).
8. Insérez la vis retirée à l'étape 2 dans la base et vissez-le fermement.

Lubrification

L'ensemble réducteur à transmission est un dispositif étanche. Par conséquent, il n'a nul besoin de lubrification.

Service de réparations et à l'assistance technique

Les produits renvoyés pour réparation doivent être accompagnés d'un formulaire d'autorisation de renvoi. Pour obtenir le service de réparations ou l'assistance technique pour ce produit, communiquer avec Federal Signal au 708-534-4756 ou au 877-289-3246.

Pour des manuels d'instruction et des données relatives aux produits connexes, visiter le site : <http://www.federal-signal-indust.com>

Accessoires et pièces de rechange

Les pièces de rechange courantes sont énumérées au tableau 1. Pour commander des accessoires et pièces de rechange, communiquer avec le Service à la clientèle de Federal Signal au 708-534-4756 ou au 877-289-3246.

Tableaux 1 Pièces de rechange

| Description | Numéro de la pièce |
|-------------------------|---------------------------|
| Dôme, clair | K8444357 |
| Dôme, bleu | K8444357-01 |
| Dôme, ambre | K8444357-02 |
| Dôme, rouge | K8444357-03 |
| Dôme, vert | K8444357-04 |
| Dôme, magenta | K8444357-05 |
| Ampoule, 24 V | K8107236 |
| Ampoule, 120 V, Krypton | K8107251 |

Tableaux 2 Trousses de montage

| Description | Numéro de la pièce |
|-----------------------------|---------------------------|
| Support de montage, mural | LWMB2 |
| Support de montage, de coin | LCMB2 |

Renvoi du produit pour obtention d'un crédit

Les produits renvoyés doivent être accompagnés d'une autorisation de renvoi accordée par le distributeur local avant le renvoi du produit chez Federal Signal. Communiquer avec le distributeur pour obtenir de l'aide.

Un produit peut être renvoyé avec obtention d'un crédit si les conditions suivantes sont remplies :

- Le produit est revendable et est renvoyé dans son emballage d'origine
- Le produit n'a pas encore été installé
- Le produit est le modèle le plus récent
- Le produit n'a jamais été réparé
- Le produit est un produit standard
- Le produit n'est pas une pièce détachée

Tous les renvois de produits font l'objet de frais de restockage.

Les produits défectueux renvoyés au cours de la période de garantie seront réparés ou remplacés à la seule discrétion de Federal Signal. Les produits dont la lampe est défectueuse ne sont pas considérés comme des produits défectueux.

Toute demande autre que celle citée ci-dessus sera examinée au cas par cas.



FEDERAL SIGNAL

Safety and Security Systems / Industrial

Industrial Systems

2645 Federal Signal Drive

University Park, IL 60484-3167

Tel.: 1-877-289-3246 • 1-708-534-4756 • Fax: 1-708-534-4887

www.federal-signal-indust.com • www.fs-isys.com



FEDERAL SIGNAL
Safety and Security Systems / Industrial

Advancing security and well-being.

Luces rotatorias Vitalite® modelos 121A y 121S



Instrucciones de instalación y mantenimiento

8444335D
REV. D 613
Impreso en los EE. UU.



Garantía: El vendedor garantiza todos los productos por cinco años para las piezas y por 2-1/2 años para la mano de obra, bajo las siguientes condiciones y excepciones: El Vendedor garantiza que todos los productos fabricados por el Vendedor se ajustarán a las descripciones de los mismos para especificaciones que expresamente forman parte de este contrato de venta y en el momento de la venta por parte del Vendedor tales productos estarán comercialmente libres de defectos en material o mano de obra. El Vendedor se reserva el derecho, a criterio del Vendedor, de “Reparar y devolver” o “Reemplazar” cualquier elemento considerado defectuoso durante el período de garantía. Esta garantía no cubre gastos de viaje, el costo de equipos especializados para obtener acceso al producto ni los cargos de mano de obra por la extracción y la nueva instalación del producto. Esta garantía no tendrá validez y no será de aplicación a productos que hayan sido sometidos a uso incorrecto, descuido, accidente, daño, mantenimiento incorrecto o productos alterados o reparados por otra persona que no sea el Vendedor o su representante autorizado, o si han transcurrido cinco años desde la fecha de envío del producto por parte del Vendedor, con las excepciones siguientes: las lámparas y los tubos estroboscópicos no están cubiertos por esta garantía. Las sirenas de advertencia y los controladores externos fabricados por Federal Warning Systems cuentan con garantía de dos años sobre las piezas y de un año sobre la mano de obra. Ningún agente, empleado, representante o distribuidor del Vendedor tiene autorización de obligar al Vendedor frente a ninguna declaración, afirmación o garantía relacionada con los productos y tal declaración, afirmación o garantía no se considerará parte de los elementos básicos del contrato de venta y no será exigible. LAS GARANTÍAS ANTERIORES SON EXCLUSIVAS Y REEMPLAZAN TODA OTRA GARANTÍA DE COMERCIALIZACIÓN, DE IDONEIDAD PARA UN PROPÓSITO Y DE CUALQUIER TIPO, YA SEA EXPRESA O IMPLÍCITA. Estas garantías no serán de aplicación a menos que el Vendedor reciba una oportunidad razonable de investigar todos los reclamos por mercaderías supuestamente defectuosas. Ante la indicación del Vendedor, se devolverá una sola muestra de los productos defectuosos al Vendedor para su inspección y aprobación. La base de todos los reclamos por supuestos defectos en los productos que no se descubra ante la inspección razonable de los mismos en virtud del párrafo 8 del presente debe explicarse totalmente por escrito y debe ser recibida por el Vendedor dentro de los treinta días posteriores a que el Comprador tome conocimiento del defecto o tal reclamo se considerará caducado.



Industrial Systems

2645 Federal Signal Drive • University Park, IL 60484-3167

Teléfono: 1-877-289-3246 • 1-708-534-4756 • Fax: 1-708-534-4887

www.federal-signal-indust.com • www.fs-isys.com

Contents

| | |
|-------------------------------------------------------------|----|
| Mensajes de seguridad para los instaladores | 33 |
| Descripción de los Modelos 121A y 121S | 34 |
| Desembalaje de la luz | 34 |
| Montaje de la luz en tubo..... | 34 |
| Montaje de la luz en superficie..... | 34 |
| Cableado del modelo 121A (24 VCC)..... | 35 |
| Mensaje de seguridad para el personal de mantenimiento..... | 36 |
| Reemplazo de la lámpara | 37 |
| Limpieza del reflector..... | 39 |
| Lubricación | 40 |
| Servicio de reparación y asistencia técnica | 40 |
| Accesorios y piezas de repuesto..... | 40 |

Figuras

| | |
|-------------------------------------------------------|----|
| Figura 1 Corte transversal de la lámpara | 38 |
|-------------------------------------------------------|----|

Tablas

| | |
|------------------------------------------|----|
| Tabla 1 Partes de reemplazo. | 40 |
| Tabla 2 Kits de montaje..... | 41 |

Mensajes de seguridad para los instaladores

⚠ ADVERTENCIA

Es importante seguir todas las instrucciones enviadas con este producto. Este dispositivo debe ser instalado por un electricista capacitado completamente familiarizado con el Código Eléctrico Nacional y/o el Código Eléctrico de Canadá y que siga los lineamientos NEC y/o CEC y todos los códigos locales. Esta baliza debe considerarse parte del sistema de advertencia y no el sistema de advertencia completo.

La selección de la ubicación de montaje de la baliza, sus controles y la colocación del cableado deben realizarse bajo la dirección del ingeniero de la planta y del ingeniero de seguridad. Asimismo, a continuación se incluyen algunas instrucciones y precauciones importantes de seguridad que debe seguir:

- Lea y comprenda todas las instrucciones antes de instalar u operar este equipo.
- No conecte esta luz al sistema cuando la alimentación esté encendida.
- Después de la instalación, asegúrese que todos los tornillos de fijación estén bien apretados.
- Después de la instalación, pruebe el sistema de luz para asegurarse que esté funcionando correctamente.
- Después de completar la prueba, proporcione una copia de esta Hoja de instrucciones a todo el personal operador.
- Establezca un procedimiento para verificar periódicamente la integridad y correcta operación de la instalación de la luz.

Si todas estas precauciones de seguridad e instrucciones no se observan, pueden ocasionarse daños a los bienes, lesiones graves o incluso la muerte.

Descripción de los Modelos 121A y 121S

Las luces rotatorias modelos 121A y 121S están diseñadas para montarse en una superficie plana horizontal o vertical o en una tubería roscada 1/2" NPT. Puede lograrse un montaje en una superficie vertical con los lentes ubicados hacia arriba usando un soporte de montaje Federal Signal de pared (Modelo LWMB2) o de esquina (Modelo LCMB2) adquirido por separado. El modelo 121A está disponible para 24 VCC, y tEl modelo 121S está disponible para 120 VCA, 50/60 Hz.

Desembalaje de la luz

Después de desembalar la luz, examínela para detectar daños que puedan haber ocurrido durante el tránsito. Si la baliza se ha dañado, no intente instalarla ni ponerla en funcionamiento. Presente un reclamo de inmediato al transportista, indicando la medida de los daños. Con cuidado, inspeccione todos los sobres, las etiquetas de envío y los rótulos antes de retirarlos o descartarlos. Si falta alguna pieza, contacte al Servicio de Asistencia al Cliente de Federal Signal al 708-534-4756 o 877-289-3246.

Montaje de la luz en tubo

Los modelos 121A y 121S pueden montarse en tubería de 1/2". El instalador se encarga de los accesorios de montaje y los detalles de la instalación.

NOTA: Para evitar que la conexión se afloje, apriete la lámpara con un torque MÍNIMO de 5 lb-pie (6.8 N•m) después de enroscarla en la tubería.

Montaje de la luz en superficie

Para montar la luz en superficie:

1. Usando la empaquetadura como una plantilla, trace los tres agujeros de montaje y el agujero central para el montaje de superficie.

2. Taladre un agujero de 3/16" (4.8 mm) de diámetro en cada una de las tres marcas de montaje trazadas.
3. Taladre o perfore un agujero de 1 pulg (25,4 mm) de diámetro en el centro para los alambres.
4. Coloque la luz en la empaquetadura y fijela a la superficie de montaje con los tornillos #8-32 suministrados.

Cableado del modelo 121A (24 VCC)

⚠ ADVERTENCIA

PELIGRO DE ELECTROCUCIÓN—Para evitar riesgos de descargas eléctricas, no conecte los cables cuando se aplica energía.

AVISO

POLARIDAD INVERSA/CABLEADO ERRÓNEO—El modelo 121A es sensible a la polaridad y PUEDE DAÑARSE por una conexión eléctrica incorrecta. El daño se producirá si se excede el voltaje del modelo en particular.

La unidad de corriente continua 121A incluye dos conductores (uno rojo y uno negro).

Para conectar la luz:

1. Conecte el rojo (+) al terminal positivo de la fuente de alimentación.
2. Conecte el negro (-) al terminal negativo.
3. Pruebe la luz para asegurarse de que funcione correctamente.

Cableado del modelo 121S (120 VCA)

⚠ ADVERTENCIA

PELIGRO DE ELECTROCUCIÓN—Para evitar riesgos de descargas eléctricas, no conecte los cables cuando se aplica energía.

Las unidades de 120 VCA están diseñadas para funcionar con una alimentación eléctrica de 50 o 60 Hz. NO se requieren modificaciones especiales para las dos diferentes frecuencias de línea de CA.

Las unidades de corriente alterna 121S incluyen tres conductores (uno negro, uno blanco y uno verde/amarillo).

Para conectar la luz:

1. Conecte el conductor negro al terminal de fase de la fuente de alimentación.
2. Conecte el blanco al común (neutro).
3. Conecte el verde/amarillo a tierra.
4. Pruebe la luz para asegurarse de que funcione correctamente.

Mensaje de seguridad para el personal de mantenimiento

A continuación se incluyen algunas instrucciones y precauciones importantes de seguridad que debe seguir:

- Lea y comprenda todas las instrucciones antes de operar este sistema.
- Cualquier mantenimiento al sistema de luz debe realizarse con la alimentación apagada.
- Cualquier mantenimiento al sistema de luz debe ser realizado por un electricista calificado de acuerdo con todos los códigos y normas locales y nacionales aplicables en el país de utilización.

- Jamás modifique la unidad en ninguna forma.
- La placa, que puede contener información preventiva u otra información importante para el personal de mantenimiento, NO debe ser ocultada en ninguna forma. Asegúrese que la placa permanezca legible cuando se pinte el exterior de la carcasa.
- Si la cúpula se daña de alguna manera, DEBE reemplazarse.
- Después de darle servicio, pruebe el sistema de luz para asegurarse que esté funcionando correctamente.

Si todas estas precauciones de seguridad e instrucciones no se observan, pueden ocasionarse daños a los bienes, lesiones graves o incluso la muerte.

Reemplazo de la lámpara

⚠ ADVERTENCIA

RIESGO DE DESCARGA ELÉCTRICA: Para evitar riesgos de descarga eléctrica, no conecte o desconecte los cables mientras se recibe corriente.

⚠ PRECAUCIÓN

MANIPULE LAS LÁMPARAS INCANDESCENTES CON CUIDADO: Las lámparas incandescentes se calientan lo suficiente como para quemar. Siempre permita que estas lámparas se enfríen antes de manipularlas. Las lámparas estroboscópicas también están presurizadas y, si se rompen, algunos vidrios pueden salir despedidos. Si no se sigue esta advertencia, pueden sufrirse lesiones personales.

⚠ PRECAUCIÓN

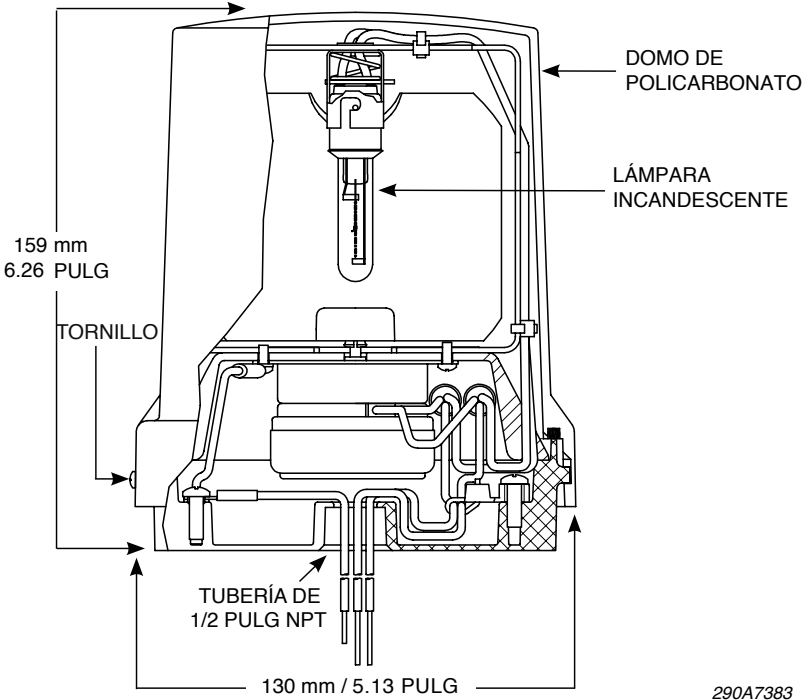
NO TOQUE LA LÁMPARA CON LAS MANOS AL DESCUBIERTO: Los depósitos de aceite en la parte de vidrio de la lámpara estroboscópica pueden ocasionar que el vidrio se rompa durante el uso. Si no está seguro si el vidrio ha sido manipulado sin guantes, limpie el vidrio con un paño suave y alcohol isopropílico antes de instalar la lámpara.

Instrucciones de instalación y mantenimiento

Para reemplazar la lámpara:

1. Desconecte la corriente eléctrica y espere a que la lámpara se enfríe.
2. Véase la Figura 1. Retire el tornillo ubicado en la parte inferior del domo.

Figura 1 Corte transversal de la lámpara



3. Agarre la parte superior del domo y presione hacia abajo mientras gira el domo contra el sentido del reloj aproximadamente 3/4 pulgada.
4. Suavemente levante el domo. Asegúrese que la empaquetadura entre el domo y la base no esté mal colocada.
5. Sujete la lámpara tan cerca de la base como sea posible y empújela suavemente contra el receptáculo mientras la hace girar a la izquierda.

6. Inserte la lámpara nueva, empújela suavemente contra el receptáculo mientras la hace girar a la derecha. Asegúrese de no dejar ningún residuo en el vidrio de la lámpara.
7. Antes de recolocar el domo, asegúrese que la empaquetadura esté correctamente asentada en la base de la carcasa.
8. Coloque el domo sobre la base, alineando los rebajes en el labio del domo con los cuatro pines en la base. Presione hacia abajo en el domo y gire en el sentido del reloj hasta que se asiente en su posición (aproximadamente 3/4 pulgada).
9. Inserte el tornillo que quitó en el paso 2 en la base y apriete firmemente.
10. Pruebe la luz para asegurarse de que funcione correctamente.

Limpieza del reflector

Para limpiar el reflecto:

1. Desconecte la corriente eléctrica y espere a que la lámpara se enfríe.
2. Véase la Figura 1. Retire el tornillo ubicado en la parte inferior del domo.
3. Agarre la parte superior del domo y presione hacia abajo mientras gira el domo contra el sentido del reloj aproximadamente 3/4 pulgada.
4. Suavemente levante el domo. Asegúrese que la empaquetadura entre el domo y la base no esté mal colocada.
5. Use un paño suave y un líquido limpiador doméstico. NO USE limpiadores abrasivos.
6. Antes de recolocar el domo, asegúrese que la empaquetadura esté correctamente asentada en la base de la carcasa.
7. Coloque el domo sobre la base, alineando los rebajes en el labio del domo con los cuatro pines en la base. Presione hacia

Instrucciones de instalación y mantenimiento

abajo en el domo y gire en el sentido del reloj hasta que se asiente en su posición (aproximadamente 3/4 pulgada).

8. Inserte el tornillo que quitó en el paso 2 en la base y apriete firmemente.

Lubricación

El conjunto motor-reductor es una unidad sellada. Por lo tanto, no requiere lubricación.

Servicio de reparación y asistencia técnica

Los productos devueltos para su reparación requieren un Formulario de autorización de devolución de su distribuidor o de Federal Signal. Para obtener el servicio de reparación o asistencia técnica de Federal Signal, llame al 708-534-4756 o 877-289-3246. Para obtener manuales de instrucciones e información sobre los productos relacionados, visite:

<http://www.federsignal-indust.com>

Accesorios y piezas de repuesto

Los repuestos típicos se encuentran enumerados en la Tabla 1. Para pedir accesorios y repuestos, llame a Federal Signal al 708-534-4756 o 877-289-3246.

Tabla 1 Partes de reemplazo.

| Descripción | Número de parte |
|-------------------------|------------------------|
| Domo, transparente | K8444357 |
| Domo, azul | K8444357-01 |
| Domo, ámbar | K8444357-02 |
| Domo, rojo | K8444357-03 |
| Domo, verde | K8444357-04 |
| Domo, morado | K8444357-05 |
| Lámpara, 24 V | K8107236 |
| Lámpara, 120 V, Krypton | K8107251 |

Tabla 2 Kits de montaje

| Descripción | Número de parte |
|-----------------------------|------------------------|
| Suporte de montaje, pared | LWMB2 |
| Suporte de montaje, esquina | LCMB2 |

Cómo devolver el producto para obtener crédito

Las devoluciones de productos para obtener crédito requieren una autorización de devolución de su distribuidor local antes de devolver el producto a Federal Signal. Póngase en contacto con su distribuidor para obtener ayuda.

Un producto está calificado para ser devuelto para obtener un crédito cuando se cumplen los siguientes requisitos:

- El producto está en su empaque original y se puede revender
- El producto no se ha instalado anteriormente
- El producto es la versión actual
- El producto no se ha reparado anteriormente
- El producto es un producto estándar
- El producto no es una pieza de reparación

Todas las devoluciones están sujetas a una tasa de manejo de existencias.

Los productos defectuosos que son devueltos en el plazo de garantía serán reparados o reemplazados a criterio de Federal Signal. Los productos defectuosos no incluyen aquellos productos con fallas en la lámpara.

Otras circunstancias que no hayan sido enumeradas anteriormente se tratarán de acuerdo a cada caso.



FEDERAL SIGNAL

Safety and Security Systems / Industrial

Industrial Systems

2645 Federal Signal Drive

University Park, IL 60484-3167

Phone: 1-877-289-3246 • 1-708-534-4756 • Fax: 1-708-534-4887

www.federal-signal-indust.com • www.fs-isys.com