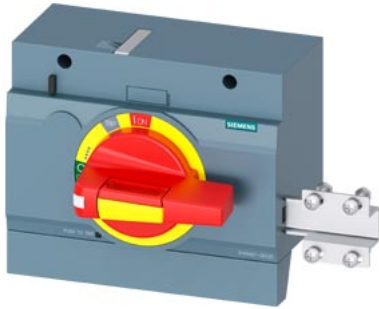


front mounted rotary operator EMERGENCY OFF with door interlock IEC IP30/40
accessory for: 3VA13/14; 3VA23/24



Model		
product brand name	SETRON	
product designation	front rotary operating mechanism	
accessories	Front rotary operator	
General technical data		
protection class IP	IP30	
Mechanical Design		
height	94 mm	
width	138 mm	
depth	108 mm	
Certificates		
General Product Approval	EMV	Marine / Shipping



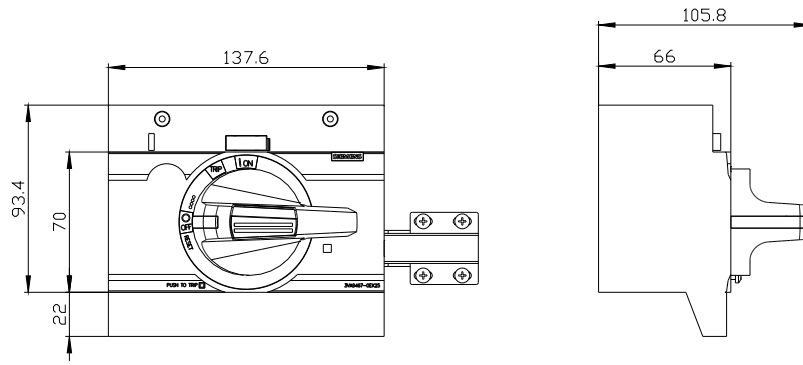
[Miscellaneous](#)



other	Environment
Miscellaneous	Confirmation
Miscellaneous	Environmental Con- firmations
	Environmental Con- firmations

Further information

Information on the packaging
<https://support.industry.siemens.com/cs/ww/en/view/109813875>
 Information- and Downloadcenter (Catalogs, Brochures,...)
<http://www.siemens.com/lowvoltage/catalogs>
 Industry Mall (Online ordering system)
<https://mall.industry.siemens.com/mall/en/en/Catalog/product?mlfb=3VA9467-0EK25>
 Service&Support (Manuals, Certificates, Characteristics, FAQs,...)
<https://support.industry.siemens.com/cs/ww/en/ps/3VA9467-0EK25>
 Image database (product images, 2D dimension drawings, 3D models, device circuit diagrams, ...)
http://www.automation.siemens.com/bilddb/cax_en.aspx?mlfb=3VA9467-0EK25
 CAx-Online-Generator
<http://www.siemens.com/cax>
 Tender specifications
<http://www.siemens.com/specifications>



last modified:

8/10/2024 

