

1 2 3 4 5 6 7 8

A

B

C

D

E

F

A

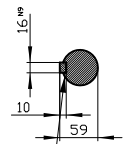
B

C

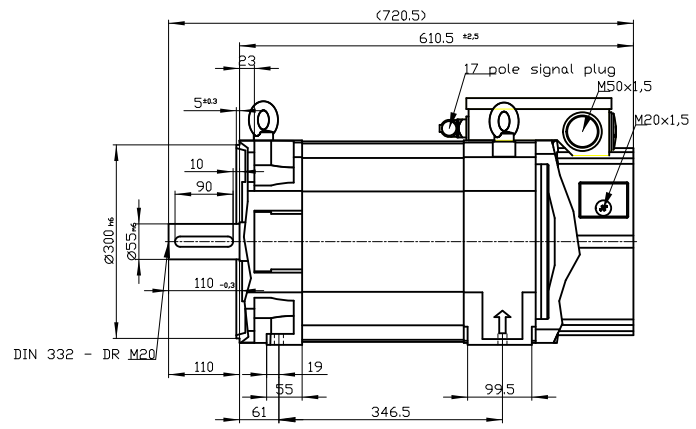
D

E

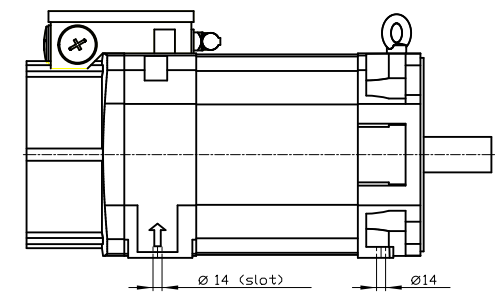
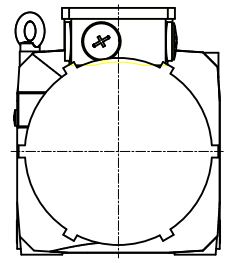
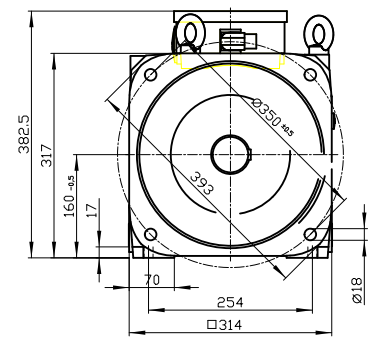
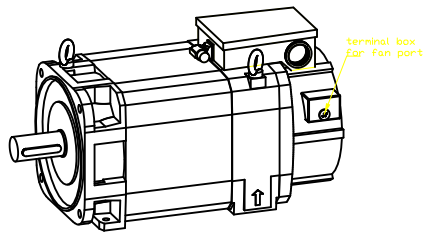
DE - shaft extension version with featherkey



deviation acc. to DIN 6885 sheet 1



DIN 332 - DR M20



Type of construction IM B5 (IM V1, IM V3) / Type of protection: IP55

	-	
Terminal box	gk863	1PH8163-1MD02-1BA1
Weight	196 kg	
Unit	mm (in)	
Date	2/5/20	
SIEMENS AG		
not toleranced dimensions: ± 1		DT

1 2 3 4 5