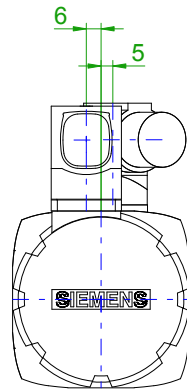
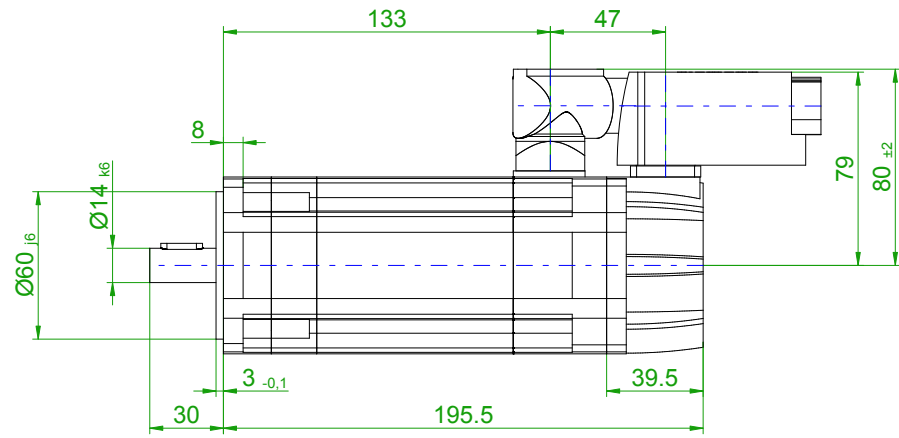
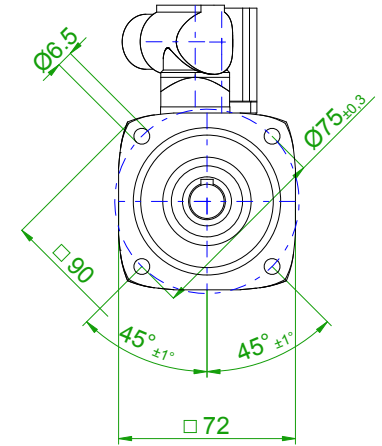


back view

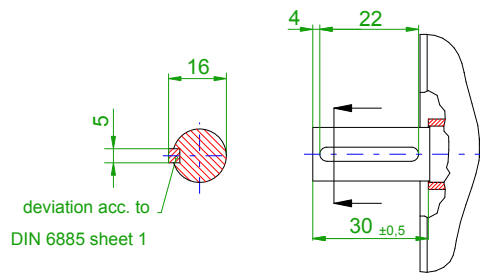


front view

center hole  
DIN 332-DR M5

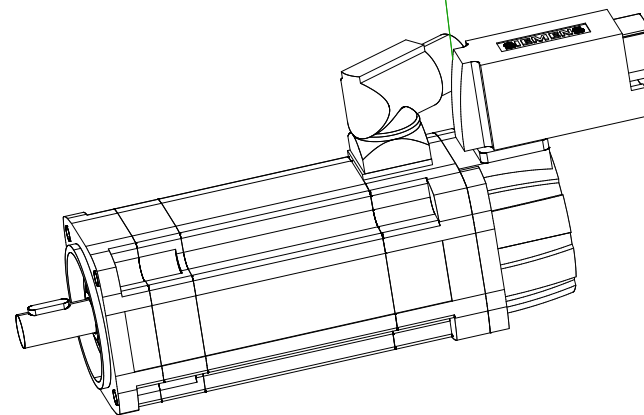


version with featherkey

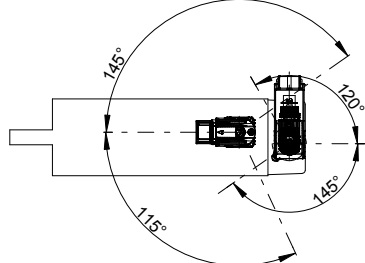


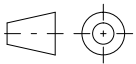
6-pole plug size 1  
for power

10-pole  
signal plug



rotating angle of the plug



		<b>SIEMENS</b>	
Einheit / unit: mm	Synchron-Servomotor Synchronous Servo Motor:	1FT7034-5AK71-1DA1	
nicht tolerierte Maße / not toleranced dimensions:	Optionen / options:	Gewicht / mass:	3.8 kg
Maßstab / scale: ohne / without	Bemerkung / notice:		
CAD CREATOR 2.2 (WWW-Version V02.20.00.00)	Druckdatum / print date:	15.10.2018	