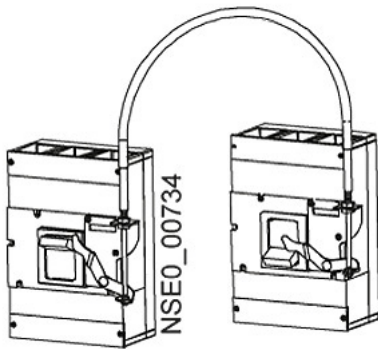


accessory for VL630, VL800, locking with Bowden cable







**Model**

product brand name	SENTRON
product designation	Locking with Bowden cable

**Mechanical Design**

net weight	0.28 kg
------------	---------

**Approvals Certificates**

General Product Approval	Test Certificates	Marine / Shipping
 EG-Konf.	 <a href="#">Confirmation</a>	 <a href="#">Special Test Certificate</a>
		

Marine / Shipping	other	Environment
 PRS	 RINA	 RMRS
	<a href="#">Miscellaneous</a>	<a href="#">Confirmation</a>
		<a href="#">Environmental Confirmations</a>

**Environment**

[Environmental Confirmations](#)

**Further information**

- Information on the packaging  
<https://support.industry.siemens.com/cs/ww/en/view/109813875>
- Information- and Downloadcenter (Catalogs, Brochures,...)  
<http://www.siemens.com/lowvoltage/catalogs>
- Industry Mall (Online ordering system)  
<https://mall.industry.siemens.com/mall/en/en/Catalog/product?mlfb=3VL9600-8LA00>
- Service&Support (Manuals, Certificates, Characteristics, FAQs,...)  
<https://support.industry.siemens.com/cs/ww/en/ps/3VL9600-8LA00>
- Image database (product images, 2D dimension drawings, 3D models, device circuit diagrams, ...)  
[http://www.automation.siemens.com/bilddb/cax\\_en.aspx?mlfb=3VL9600-8LA00](http://www.automation.siemens.com/bilddb/cax_en.aspx?mlfb=3VL9600-8LA00)
- CAX-Online-Generator  
<http://www.siemens.com/cax>
- Tender specifications  
<http://www.siemens.com/specifications>

---

last modified:

4/20/2023 

