

1 2 3 4 5 6 7 8

A

B

C

D

E

F

A

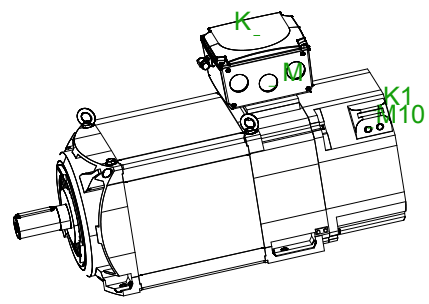
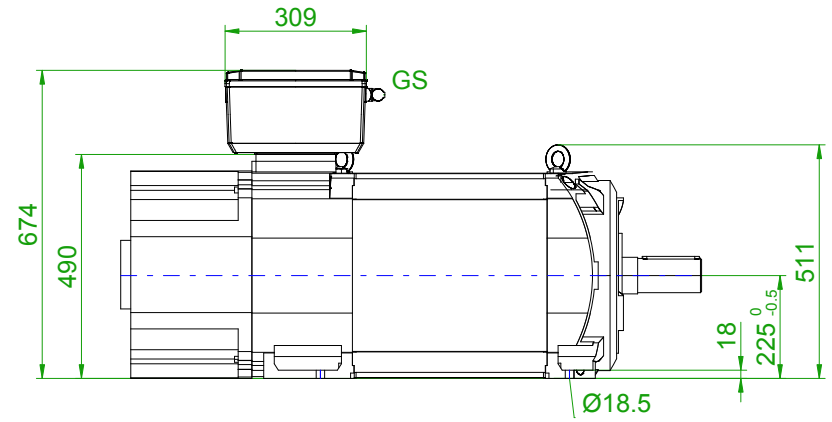
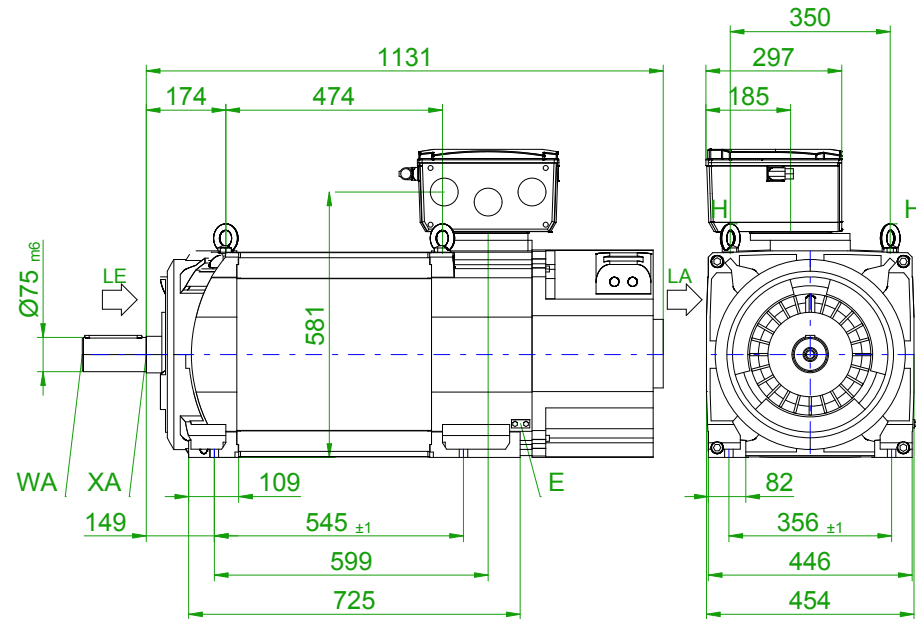
B

C

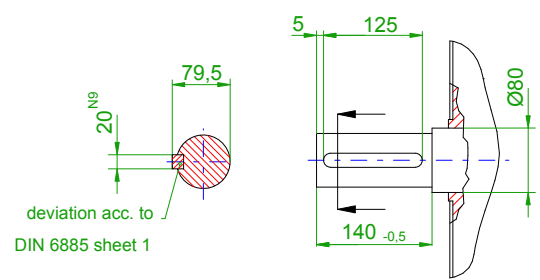
D

E

front view



version with featherkey



- WA - Shaft extension 75m6 x 140-0,5 to DIN748, tapped centre hole DR M20 to DIN332
- XA - Relief groove E1.6x0.3 to DIN 509
- K1 - Terminal Box for fan motor
- M10 - Cable Entry 2xM20x1,5
- K - Terminal box
- M - Cable entry 3x M75x1,5
- GS - Plug for Encoder
- LA - Air outlet
- LE - Air inlet
- E - Ground clamp
- H - Lifting eye

Type of protection: IP 23
Type of construction IM B3

	SIEMENS	
Einheit / unit: mm	Asynchron-Servomotor Asynchronous Servo Motor:	1PH8226-1JF30-1AA1
nicht tolerierte Maße / not toleranced dimensions:	Optionen / options:	
Maßstab / scale: ohne / without	Gewicht / mass:	740 kg
CAD CREATOR 2.2 (WWW-Version V02.20.00.00)	Bemerkung / notice:	
	Druckdatum / print date:	05.02.2020