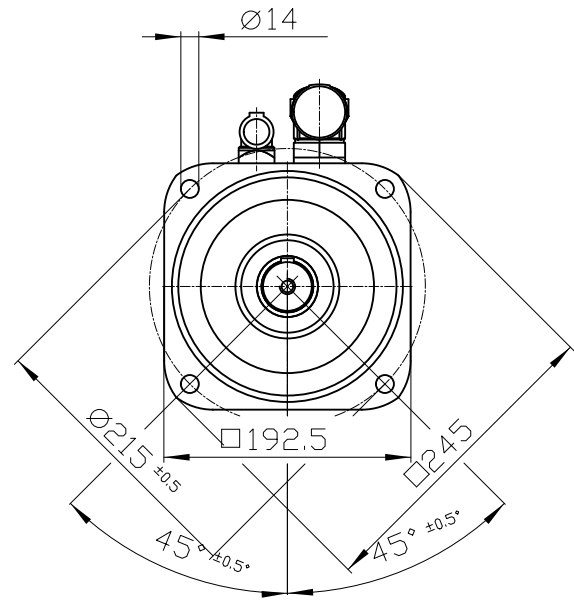
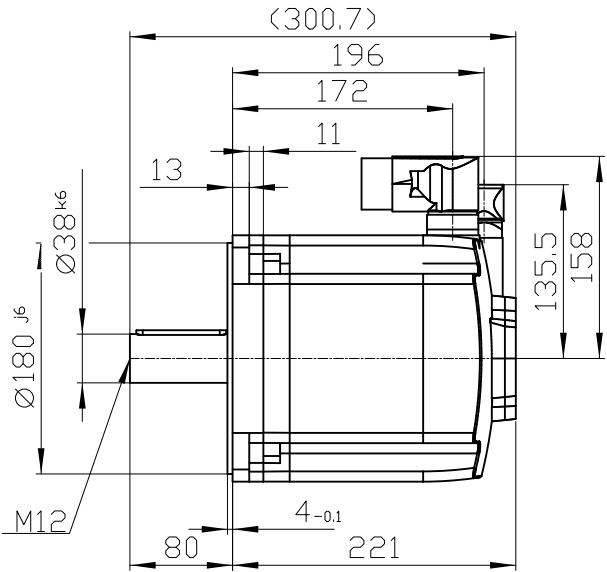
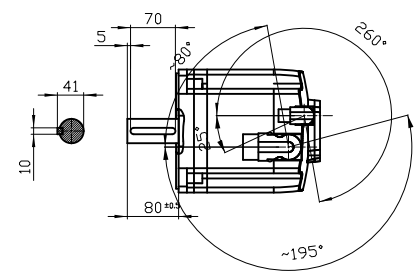
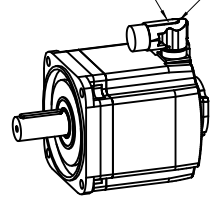


DIN 332-DR M12



Connector size 1.5 = M40; 6-pole for power and brake

Connector size M23, 12-pole



| | | |
|------------|---------|--------------------|
| | | - |
| | | - |
| Unit | mm (in) | 1FK7103-2AC74-1TA2 |
| Date | 2/4/20 | |
| SIEMENS AG | | - |
| | | DT |