

U.S. Cat. No.	Euro Order No.	U.S. Cat. No.	Euro Order No.
Item: PCBDR3	3VL9200-4PA31	PCBDF3	3VL9200-4PC31
PCBDR4	3VL9200-4PA41	PCBDF4	3VL9200-4PC41
PCBFRC3	3VL9300-4PA31	PCBFF3	3VL9300-4PC31
PCBFRC4	3VL9300-4PA41	PCBFF4	3VL9300-4PC41
		PCXD_	3VL9200-4PS_1
		PCXF_	3VL9300-4PS_1
		PCXFT	3VL9300-4PF01

For Use With Frame DG, FG
Para Usar Con Caja Base DG, FG

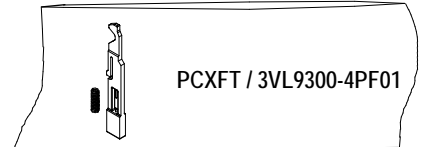
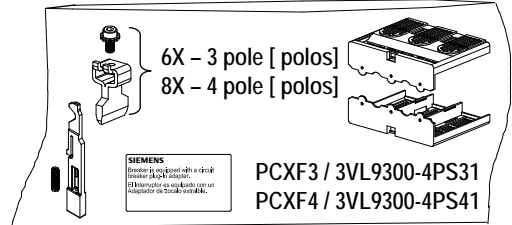
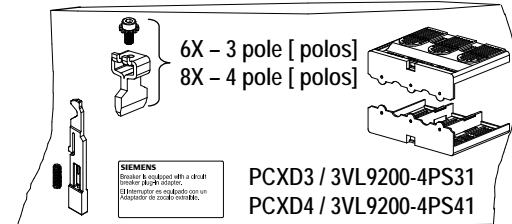
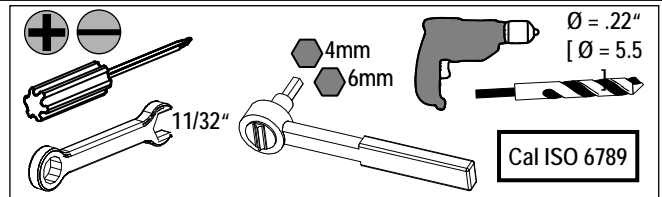
Installation Instructions / Instructivo de Instalación

	Danger	Peligro	Danger
	Hazardous Voltage. Will cause death or serious injury.	Tensión peligrosa. Puede causar la muerte o lesiones graves.	Tension dangereuse. Danger de mort ou risque de blessures graves.
	Turn off and lock out all power supplying this device before working on this device. Replace all covers before power supplying this device is turned on.	Desenergice totalmente antes de instalar o darle servicio. Reemplace todas las barreras y cubiertas antes de energizar el interruptor.	Couper l'alimentation de l'appareil et barrer avant de travailler. Remplacez tous les couverts avant que l'alimentation de pouvoir soit alimenté.

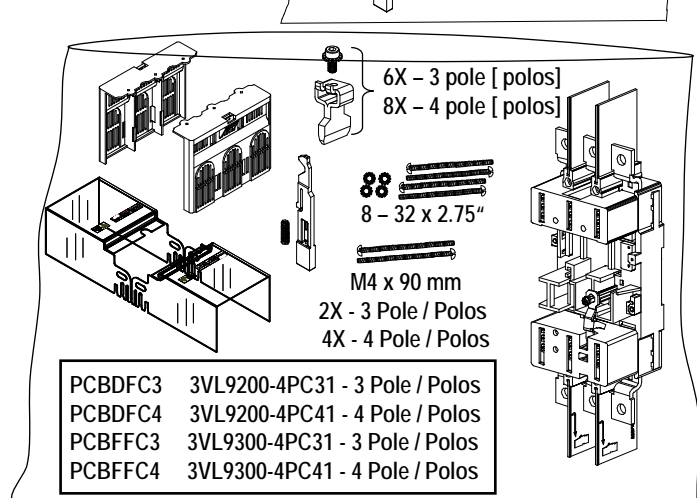
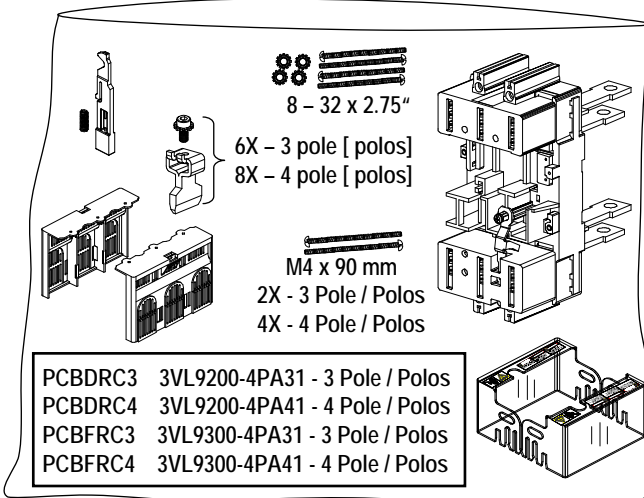
Use only with Siemens certified Components.
Utilizar únicamente con componentes certificados de Siemens.
A utiliser uniquement avec les composants certifiés Siemens.

NOTE - These instructions do not purport to cover all details or variations in equipment, or to provide for every possible contingency to be met in connection with installation, operation or maintenance. Should further information be desired or should particular problems arise, which are not covered sufficiently for the purchaser's purposes, the matter should be referred to the local Siemens sales office. The contents of this instruction manual shall not become part of or modify any prior or existing agreement, commitment or relationship. The sales contract contains the entire obligation of Siemens. The warranty contained in the contract between the parties is the sole warranty of Siemens. Any statements contained herein do not create new warranties or modify the existing warranty.

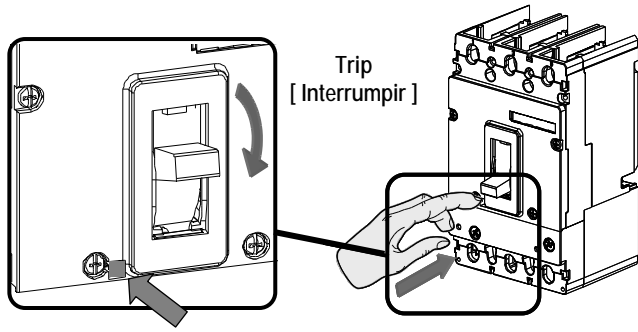
Trademarks - Unless otherwise noted, all names identified by ® are registered trademarks of Siemens AG or Siemens Industry, Inc. The remaining trademarks in this publication may be trademarks whose use by third parties for their own purposes could violate the rights of the owner.



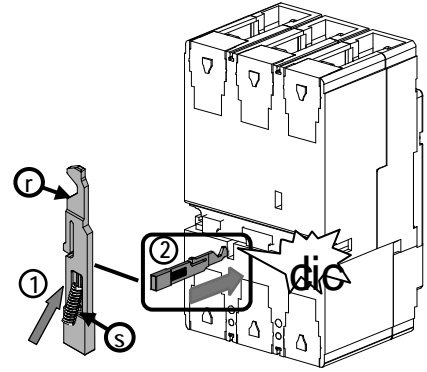
NOT suitable for use with 100% rated circuit breakers.
[NO para uso con interruptores a 100% intensidad continua.]



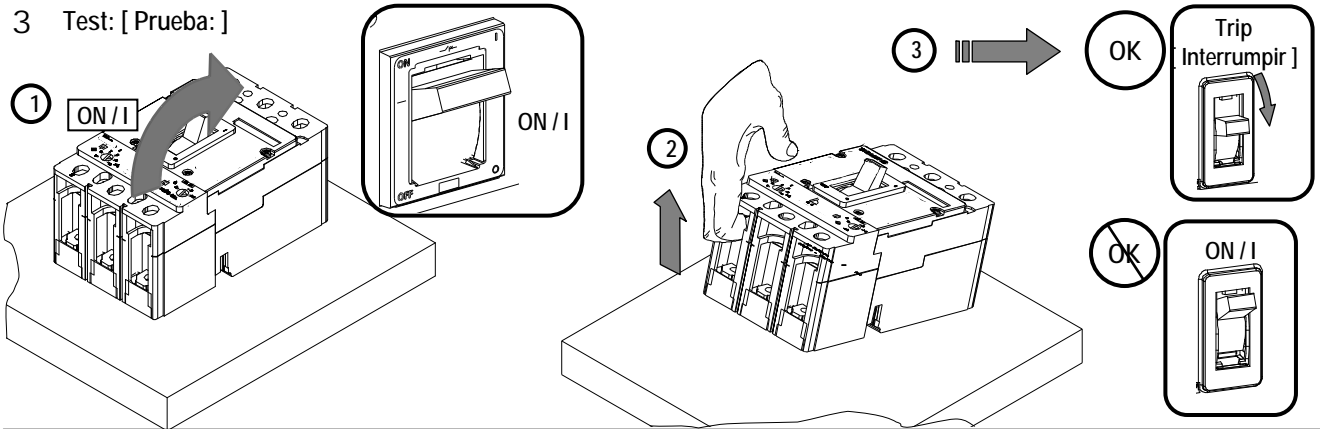
1



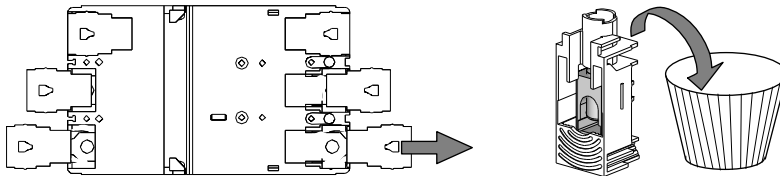
2



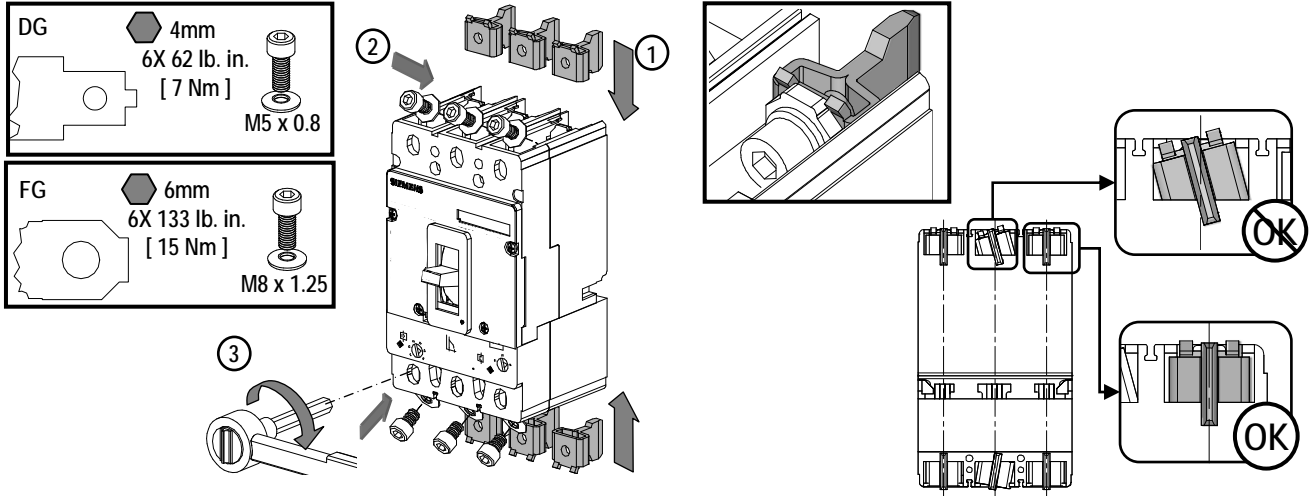
3 Test: [Prueba:]



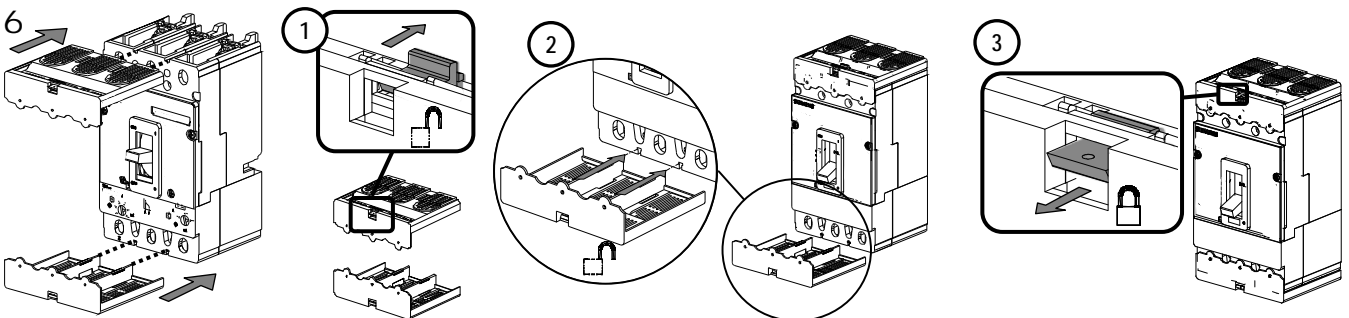
4



5



6





Danger

Hazardous Voltage.
Will cause death or serious injury.

Turn off and lock out all power supplying this device before working on this device.
Replace all covers before power supplying this device is turned on.

Peligro

Tensión peligrosa.
Puede causar la muerte o lesiones graves.

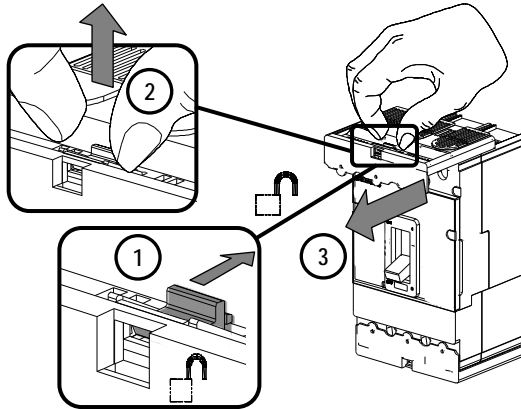
Desenergice totalmente antes de instalar o darle servicio.
Reemplace todas las barreras y cubiertas antes de energizar el interruptor.

Danger

Tension dangereuse.
Danger de mort ou risque de blessures graves.

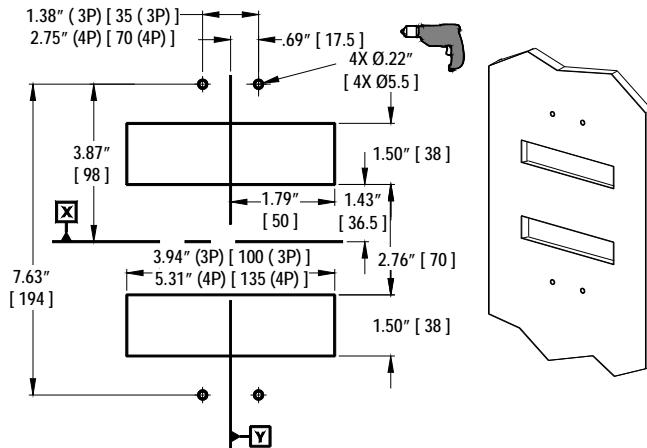
Couper l'alimentation de l'appareil et barrer avant de travailler.
Remplacez tous les couverts avant que l'alimentation de pouvoir soit alimenté.

To Remove: [Para Quitar:]



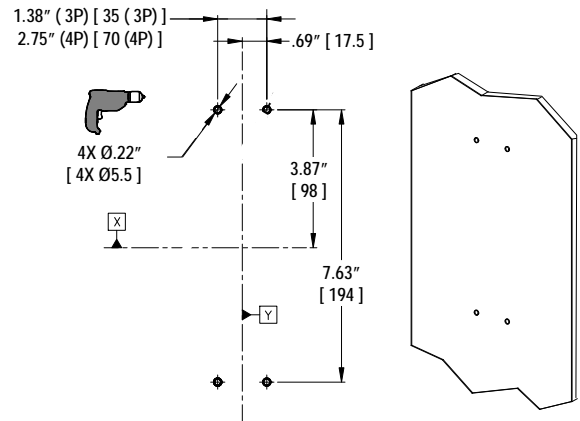
7a

PCBDRC3	3VL9200-4PA31	- 3 Pole / Polos
PCBDRC4	3VL9200-4PA41	- 4 Pole / Polos
PCBFRC3	3VL9300-4PA31	- 3 Pole / Polos
PCBFRC4	3VL9300-4PA41	- 4 Pole / Polos

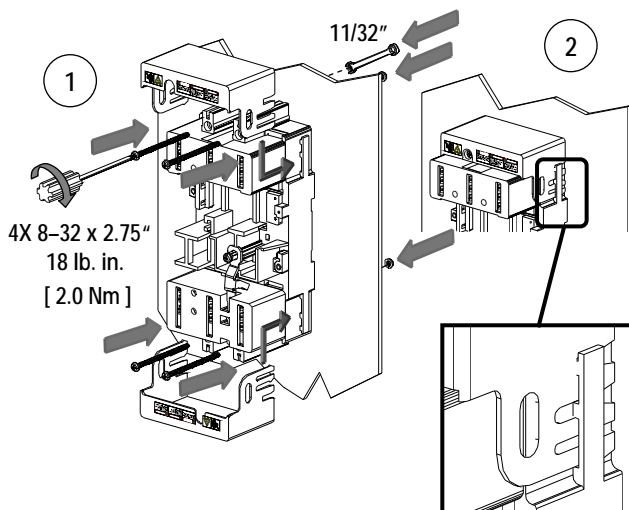


7b

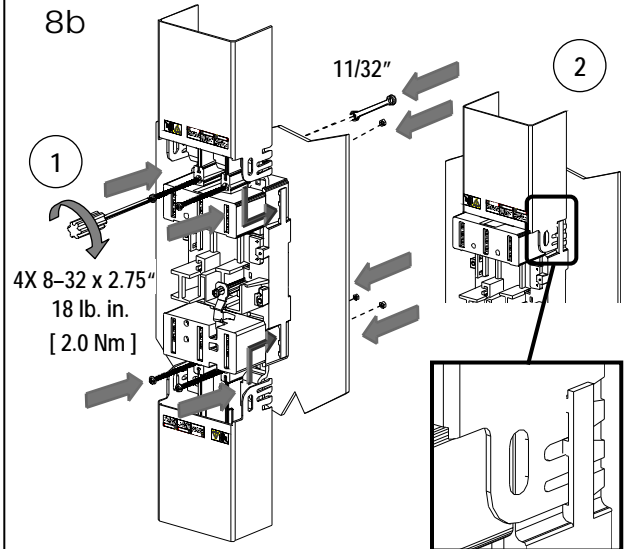
PCBDFC3	3VL9200-4PC31	- 3 Pole / Polos
PCBDFC4	3VL9200-4PC41	- 4 Pole / Polos
PCBFFC3	3VL9300-4PC31	- 3 Pole / Polos
PCBFFC4	3VL9300-4PC41	- 4 Pole / Polos



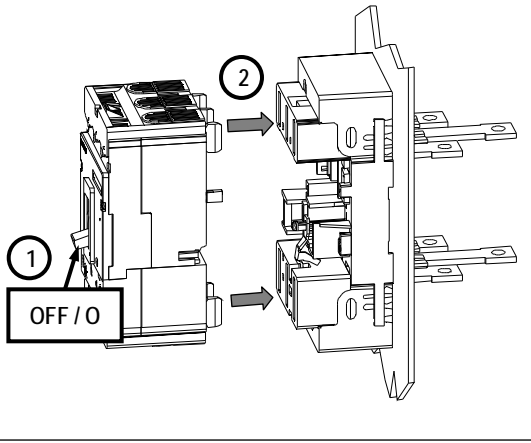
8a



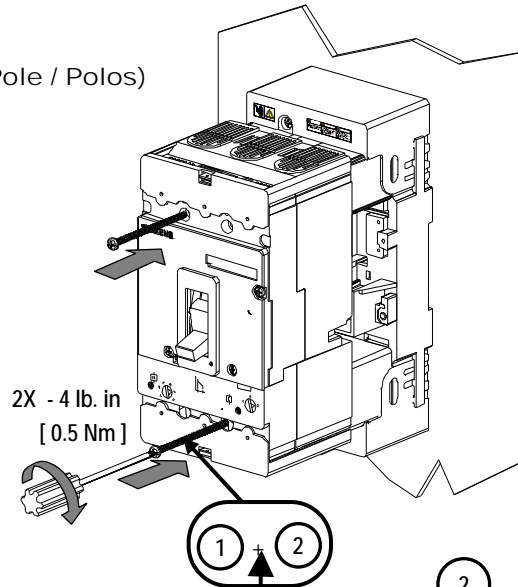
8b



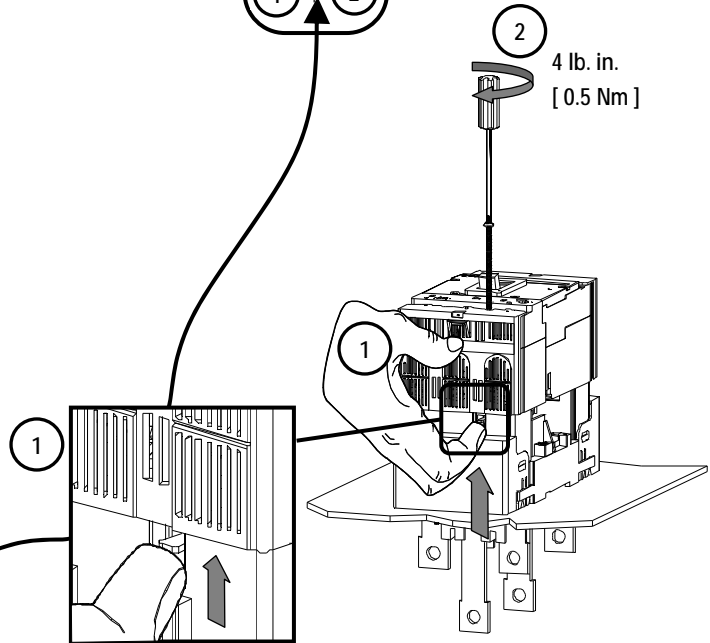
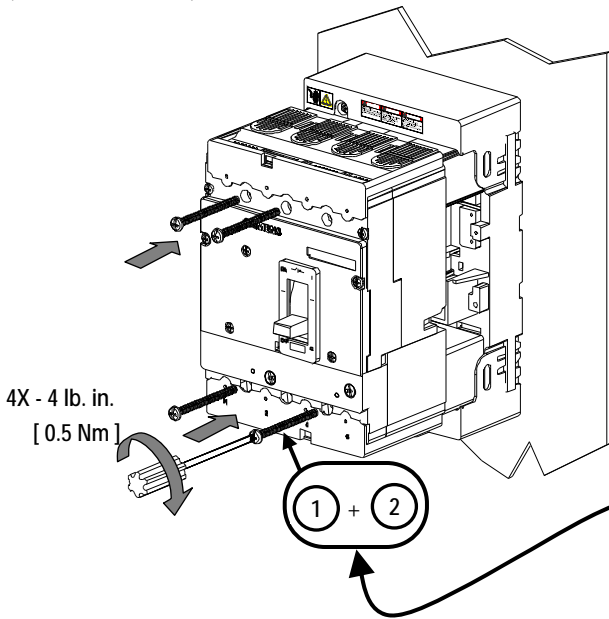
9



10- (3 Pole / Polos)

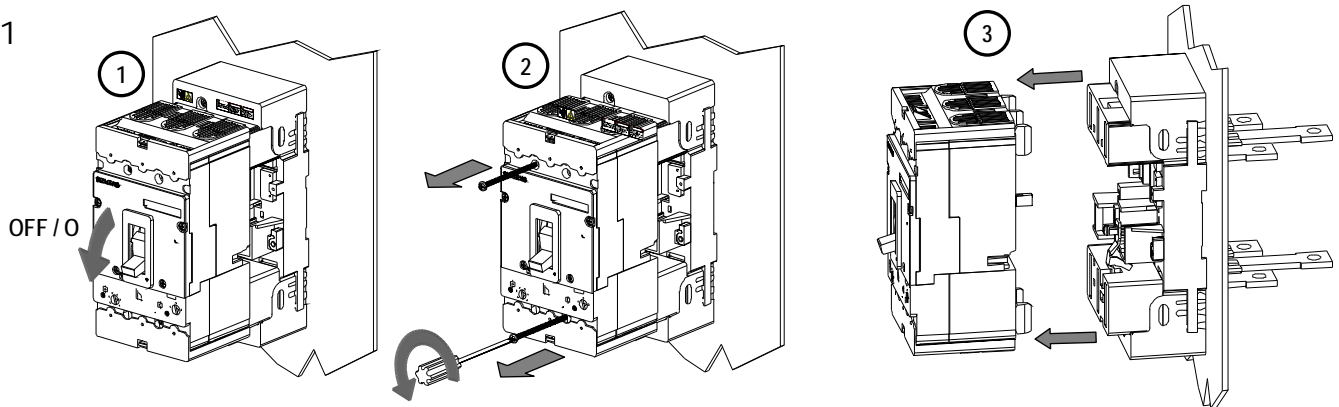


(4 Pole / Polos)



To Remove: [Para Quitar:]

11



For Support in Europe refer to :

Bestell-Nr. / Order No.: 3ZX1012-0VL68-3AA0

Internet: www.siemens.de/lowvoltage/technical-assistance

GWA 4NEB 179 6847-10 DS 02

Technical Support:

Toll Free: 1-800-241-4453

Internet: www.usa.siemens.com/powerdistribution

Subject to change without prior notice
Siemens Industry, Inc. , Norcross, GA 30092 U.S.A.