

Power Mod

Meter Stacks: WMM Residential Stacks

Residential Meter Stacks

Power Mod's core offering of Residential Meter Stacks, type WMM, offers the widest product offering and flexibility in the industry. Each meter stack houses the QuickSystem™ features to maximize productivity and minimize labor costs. To aid in productivity and labor cost reductions our 225 Amp meter stacks feature a new breaker - the "QS". The QS breaker adds to the Siemens exclusive feature set on our new 225 Amp Residential Meter Stacks.

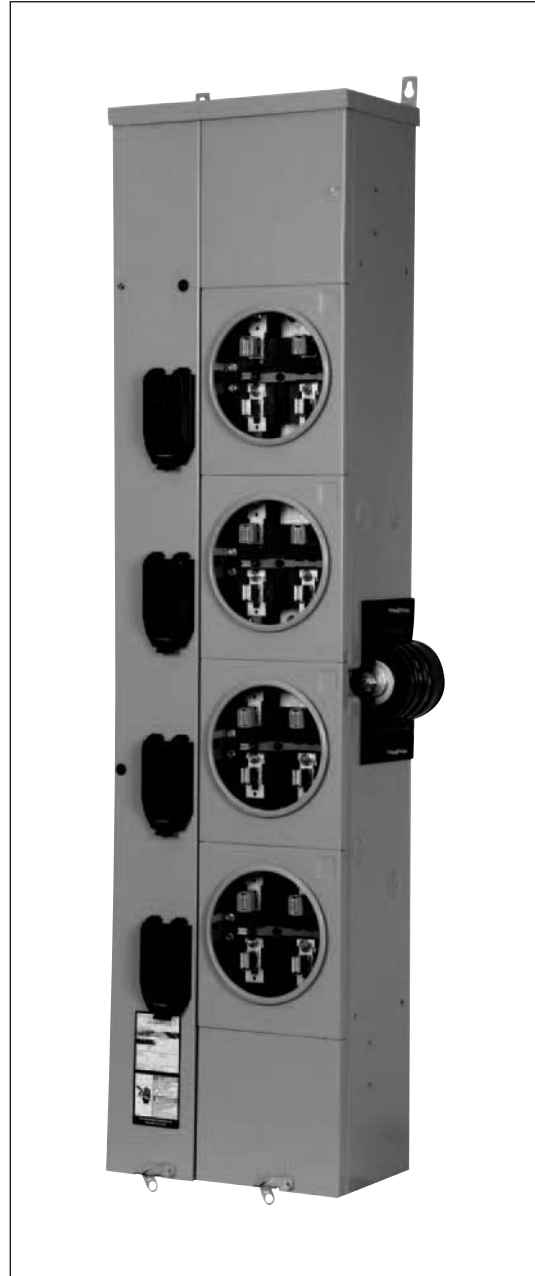
Benefits of the "QS" include:

- An exclusive 6 high 225 Amp meter stack at the same height as our 125 Amp meter stack - 225 to 125 conversion: No conversion kit needed.
- Single right hand bend wiring - saves time and wire
- 100K AIC offered from 100 up to 225 Amps

Siemens Residential Meter Stacks are packed with features inside and out: our exclusive knock out plate offers flexibility when pulling wires to the stack, new breaker supports keep breakers level and straight, moveable neutrals and grounds to save wire, and all of the QuickSystem features all designed with the contractor in mind.

Residential Meter Stacks Quick Reference

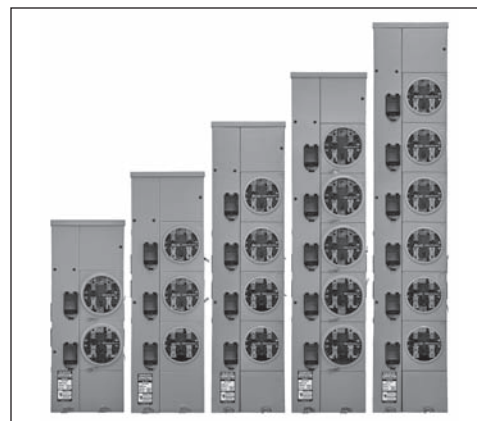
- 2-6 gang
- 125/225 Amp per position
- 1200 Amp thru-bus rating
- UL standard 67
- UL file no. E27100
- AIC rating (65k & 100k)
- Voltage:
 - Single phase 120/240V AC max.
 - Three phase in single phase out
 - 120/208V AC max.
 - 240/120V AC max.
- All swing latches and rivets are stainless steel.
- NEMA 3R rated
- G90 galvanized steel
- ANSI 61 paint
- Custom options now available! Details on page 2-103



Meter Stacks: WMM Residential Stacks – 1Ø, 4 Jaw

Main Features:

- Up to 225 amps and 6 meter positions
- Equal 125 and 225 stack height
- Install 125A breakers in 225A stacks
- QS breaker



Residential 4-Jaw Ring Type Meter Stacks: 1-phase, 3-wire SN, Incoming and Outgoing^③

Catalog number	Meter positions per stack	Max. tenant breaker (Amps)	Breaker provision	Maximum AIC ^⑤	Dimensions (inches) ^①			Field installed 5th jaw assembly ^④	Knockout Diagram	Schematic Diagram
					Height	Width	Depth			
WMM21125	2 Position	125	QP, QPH, HQP, MP-T, MP-HT, MP-MT	65,000	34.31	13.09	8.09	ECMF5	KA-12 pg 2-86	SA-12 pg 2-88
WMM31125	3 Position			65,000	43.31	13.09	8.09	ECMF5	KA-13 pg 2-86	SA-13 pg 2-88
WMM41125	4 Position			65,000	52.31	13.09	8.09	ECMF5	KA-14 pg 2-86	SA-14 pg 2-88
WMM51125	5 Position			65,000	61.31	13.09	8.09	ECMF5	KA-15 pg 2-86	SA-15 pg 2-88
WMM61125	6 Position			65,000	70.31	13.09	8.09	ECMF5	KA-16 pg 2-86	SA-16 pg 2-88
WMM21225	2 Position	225 ^②	QS, QSH, QSHH, HQS, HQSH, QP, QPH, HQP, MP-T, MP-HT, MP-MT	100,000	34.31	16.22	8.09	ECMF5	KA-22 pg 2-87	SA-32 pg 2-89
WMM31225	3 Position			100,000	43.31	16.22	8.09	ECMF5	KA-23 pg 2-87	SA-33 pg 2-89
WMM41225	4 Position			100,000	52.31	16.22	8.09	ECMF5	KA-24 pg 2-87	SA-32 pg 2-89
WMM51225	5 Position			100,000	61.31	16.22	8.09	ECMF5	KA-25 pg 2-87	SA-32 pg 2-89
WMM61225	6 Position			100,000	70.31	16.22	8.09	ECMF5	KA-26 pg 2-87	SA-32 pg 2-89

Residential 4-Jaw Ringless Type Meter Stacks: 1-phase, 3-wire SN, Incoming and Outgoing^③

Catalog number (No bypass)	Catalog number (Horn bypass)	Meter positions per stack	Max. tenant breaker (Amps)	Breaker provision	Maximum AIC ^⑤	Dimensions (inches) ^{①⑥}			Field installed 5th jaw assembly ^④	Knockout Diagram	Schematic Diagram
						Height	Width	Depth			
WMM21125R	WMM21125RB	2 Position	125	QP, QPH, HQP, MP-T, MP-HT, MP-MT	65,000	34.31	13.09	8.09	ECMF5	KA-12 pg 2-86	SA-12 pg 2-88
WMM31125R	WMM31125RB	3 Position			65,000	43.31	13.09	8.09	ECMF5	KA-13 pg 2-86	SA-13 pg 2-88
WMM41125R	WMM41125RB	4 Position			65,000	52.31	13.09	8.09	ECMF5	KA-14 pg 2-86	SA-14 pg 2-88
WMM51125R	WMM51125RB	5 Position			65,000	61.31	13.09	8.09	ECMF5	KA-15 pg 2-86	SA-15 pg 2-88
WMM61125R	WMM61125RB	6 Position			65,000	70.31	13.09	8.09	ECMF5	KA-16 pg 2-86	SA-16 pg 2-88
WMM21225R	WMM21225RB	2 Position	225 ^{②④}	QS, QSH, QSHH, HQS, HQSH, QP, QPH, HQP, MP-T, MP-HT, MP-MT	100,000	34.31	16.22	8.09	ECMF5	KA-22 pg 2-87	SA-32 pg 2-89
WMM31225R	WMM31225RB	3 Position			100,000	43.31	16.22	8.09	ECMF5	KA-23 pg 2-87	SA-33 pg 2-89
WMM41225R	WMM41225RB	4 Position			100,000	52.31	16.22	8.09	ECMF5	KA-24 pg 2-87	SA-32 pg 2-89
WMM51225R	WMM51225RB	5 Position			100,000	61.31	16.22	8.09	ECMF5	KA-25 pg 2-87	SA-32 pg 2-89
WMM61225R	WMM61225RB	6 Position			100,000	70.31	16.22	8.09	ECMF5	KA-26 pg 2-87	SA-32 pg 2-89

① Dimensions shown are representative of outside box dimensions and do not include allowances for mounting bumps, hubs, or hardware protrusions.
② 225A available in lower three positions only. 200A continuous for all other positions.

③ NOT for use on 3-phase, 4-wire delta systems.
④ 5th jaw can be isolated if needed.
⑤ Max AIC determined by maximum AIC of tenant breakers. Higher ratings may be achieved through approved series rating combinations.

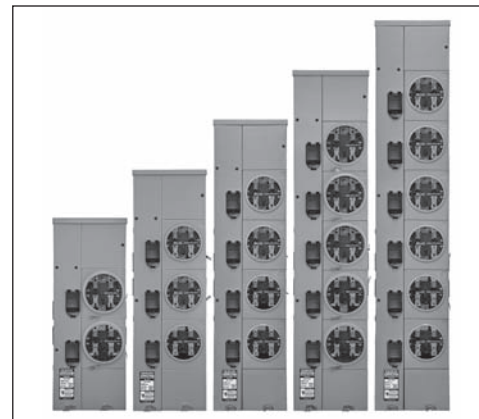
⑥ Install QP breakers below QS breakers.

Power Mod

Meter Stacks: WMM Residential Stacks – 10, 5 Jaw

Main Features:

- Up to 225 amps and 6 meter positions
- Equal 125 and 225 stack height
- Install 125A breakers in 225A stacks
- QS breaker



Residential 5-Jaw Ring Type Meter Stacks: 1-phase, 3-wire SN, Incoming and Outgoing^{③④}

Catalog number	Meter positions per stack	Max. tenant breaker (Amps)	Breaker provision	Maximum AIC ^⑤	Dimensions (inches) ^①			Knockout Diagram	Schematic Diagram
					Height	Width	Depth		
WMM21125J	2 Position	125	QP, QPH, HQP, MP-T, MP-HT, MP-MT	65,000	34.31	13.09	8.09	KA-12 pg 2-86	SA-12 pg 2-88
WMM31125J	3 Position			65,000	43.31	13.09	8.09	KA-13 pg 2-86	SA-13 pg 2-88
WMM41125J	4 Position			65,000	52.31	13.09	8.09	KA-14 pg 2-86	SA-14 pg 2-88
WMM51125J	5 Position			65,000	61.31	13.09	8.09	KA-15 pg 2-86	SA-15 pg 2-88
WMM61125J	6 Position			65,000	70.31	13.09	8.09	KA-16 pg 2-86	SA-16 pg 2-88
WMM21225J	2 Position	225 ^{②④}	QS, QSH, QSHH, HQS, HQSH, QP, QPH, HQP, MP-T, MP-HT, MP-MT	100,000	34.31	16.22	8.09	KA-22 pg 2-87	SA-32 pg 2-89
WMM31225J	3 Position			100,000	43.31	16.22	8.09	KA-23 pg 2-87	SA-33 pg 2-89
WMM41225J	4 Position			100,000	52.31	16.22	8.09	KA-24 pg 2-87	SA-32 pg 2-89
WMM51225J	5 Position			100,000	61.31	16.22	8.09	KA-25 pg 2-87	SA-35 pg 2-89
WMM61225J	6 Position			100,000	70.31	16.22	8.09	KA-26 pg 2-87	SA-36 pg 2-89

Residential 5-Jaw Ringless Type Meter Stacks: 1-phase, 3-wire SN, Incoming and Outgoing^{③④}

Catalog number (No bypass)	Catalog number (Horn bypass)	Meter positions per stack	Max. tenant breaker (Amps)	Breaker provision	Maximum AIC ^⑤	Dimensions (inches) ^①			Knockout Diagram	Schematic Diagram
						Height	Width	Depth		
WMM21125RJ	WMM21125RJB	2 Position	125	QP, QPH, HQP, MP-T, MP-HT, MP-MT	65,000	34.31	13.09	8.09	KA-12 pg 2-86	SA-12 pg 2-88
WMM31125RJ	WMM31125RJB	3 Position			65,000	43.31	13.09	8.09	KA-13 pg 2-86	SA-13 pg 2-88
WMM41125RJ	WMM41125RJB	4 Position			65,000	52.31	13.09	8.09	KA-14 pg 2-86	SA-14 pg 2-88
WMM51125RJ	WMM51125RJB	5 Position			65,000	61.31	13.09	8.09	KA-15 pg 2-86	SA-15 pg 2-88
WMM61125RJ	WMM61125RJB	6 Position			65,000	70.31	13.09	8.09	KA-16 pg 2-86	SA-16 pg 2-88
WMM21225RJ	WMM21225RJB	2 Position	225 ^{②④}	QS, QSH, QSHH, HQS, HQSH, QP, QPH, HQP, MP-T, MP-HT, MP-MT	100,000	34.31	16.22	8.09	KA-22 pg 2-87	SA-32 pg 2-89
WMM31225RJ	WMM31225RJB	3 Position			100,000	43.31	16.22	8.09	KA-23 pg 2-87	SA-33 pg 2-89
WMM41225RJ	WMM41225RJB	4 Position			100,000	52.31	16.22	8.09	KA-24 pg 2-87	SA-32 pg 2-89
WMM51225RJ	WMM51225RJB	5 Position			100,000	61.31	16.22	8.09	KA-25 pg 2-87	SA-35 pg 2-89
WMM61225RJ	WMM61225RJB	6 Position			100,000	70.31	16.22	8.09	KA-26 pg 2-87	SA-36 pg 2-89

① Dimensions shown are representative of outside box dimensions and do not include allowances for mounting bumps, hubs, or hardware protrusions.
② 225A available in lower three positions only. 200A continuous for all other positions.

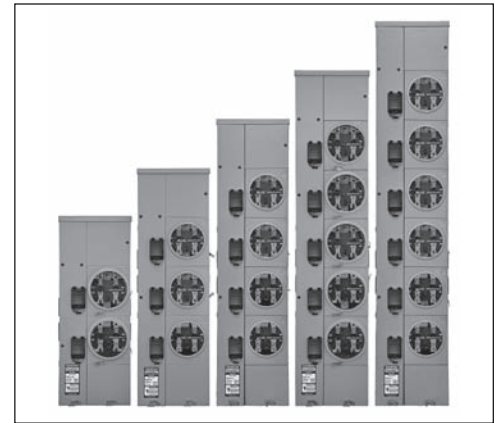
③ NOT for use on 3-phase, 4-wire delta systems.
④ 5th jaw can be isolated if needed.
⑤ Max AIC determined by maximum AIC of tenant breakers. Higher ratings may be achieved through approved series rating combinations.

⑥ Install QP breakers below QS breakers.

Meter Stacks: WMM Residential Stacks – 3Ø Incoming, 1Ø Outgoing

Main Features:

- Up to 225 amps and 6 meter positions
- Equal 125 and 225 stack height
- Install 125A breakers in 225A stacks
- QS breaker
- Field phasing



Residential 5-Jaw Ring Type Meter Stacks: 3-phase, 4-wire SN, Incoming and 1-phase, 3-wire SN Outgoing^④

Catalog number	Meter positions per stack	Max. tenant breaker (Amps)	Breaker provision	Maximum AIC ^⑤	Dimensions (inches) ^①			Factory stack phasing phases/sockets ^⑥	Knockout Diagram	Schematic Diagram
					Height	Width	Depth			
WMM22125J	2 Position	125	QP, QPH, HQP, MP-T, MP-HT, MP-MT	65,000	34.31	13.09	8.09	AB, BC	KA-12 pg 2-86	SA-12 pg 2-88
WMM32125J	3 Position			65,000	43.31	13.09	8.09	AB, BC, CA	KA-13 pg 2-86	SA-13 pg 2-88
WMM42125J	4 Position			65,000	52.31	13.09	8.09	AB, BC, CA, AB	KA-14 pg 2-86	SA-14 pg 2-88
WMM52125J	5 Position			65,000	61.31	13.09	8.09	AB, BC, CA, AB, BC	KA-15 pg 2-86	SA-15 pg 2-88
WMM62125J	6 Position			65,000	70.31	13.09	8.09	2-AB, 2-BC, 2-CA	KA-16 pg 2-86	SA-16 pg 2-88
WMM22225J	2 Position	225 ^⑦	QS, QSH, QSHH, HQS, HQSH, QP, QPH, HQP, MP-T, MP-HT, MP-MT	100,000	34.31	16.22	8.09	AB, BC	KA-22 pg 2-87	SA-32 pg 2-89
WMM32225J	3 Position			100,000	43.31	16.22	8.09	AB, BC, CA	KA-23 pg 2-87	SA-33 pg 2-89
WMM42225J	4 Position			100,000	52.31	16.22	8.09	AB, BC, CA, AB	KA-24 pg 2-87	SA-34 pg 2-89
WMM52225J	5 Position			100,000	61.31	16.22	8.09	AB, BC, CA, AB, BC	KA-25 pg 2-87	SA-35 pg 2-89
WMM62225J	6 Position			100,000	70.31	16.22	8.09	2-AB, 2-BC, 2-CA	KA-26 pg 2-87	SA-36 pg 2-89

Residential 5-Jaw Ringless Type Meter Stacks: 3-phase, 4-wire SN, Incoming and 1-phase, 3-wire SN Outgoing^④

Catalog number (no bypass)	Catalog number (Horn Bypass)	Meter positions per stack	Max. tenant breaker (Amps)	Breaker provision	Maximum AIC ^⑤	Dimensions (inches) ^①			Factory stack phasing phases/socket ^⑥	Knockout Diagram	Schematic Diagram
						Height	Width	Depth			
WMM22125RJ	WMM22125RJJB	2 Position	125	QP, QPH, HQP, MP-T, MP-HT, MP-MT	65,000	34.31	13.09	8.09	AB, BC	KA-12 pg 2-86	SA-12 pg 2-88
WMM32125RJ	WMM32125RJJB	3 Position			65,000	43.31	13.09	8.09	AB, BC, CA	KA-13 pg 2-86	SA-13 pg 2-88
WMM42125RJ	WMM42125RJJB	4 Position			65,000	52.31	13.09	8.09	AB, BC, CA, AB	KA-14 pg 2-86	SA-14 pg 2-88
WMM52125RJ	WMM52125RJJB	5 Position			65,000	61.31	13.09	8.09	AB, BC, CA, AB, BC	KA-15 pg 2-86	SA-15 pg 2-88
WMM62125RJ	WMM62125RJJB	6 Position			65,000	70.31	13.09	8.09	2-AB, 2-BC, 2-CA	KA-16 pg 2-86	SA-16 pg 2-88
WMM22225RJ	WMM22225RJJB	2 Position	225 ^⑦	QS, QSH, QSHH, HQS, HQSH, QP, QPH, HQP, MP-T, MP-HT, MP-MT	100,000	34.31	16.22	8.09	AB, BC	KA-22 pg 2-87	SA-32 pg 2-89
WMM32225RJ	WMM32225RJJB	3 Position			100,000	43.31	16.22	8.09	AB, BC, CA	KA-23 pg 2-87	SA-33 pg 2-89
WMM42225RJ	WMM42225RJJB	4 Position			100,000	52.31	16.22	8.09	AB, BC, CA, AB	KA-24 pg 2-87	SA-34 pg 2-89
WMM52225RJ	WMM52225RJJB	5 Position			100,000	61.31	16.22	8.09	AB, BC, CA, AB, BC	KA-25 pg 2-87	SA-35 pg 2-89
WMM62225RJ	WMM62225RJJB	6 Position			100,000	70.31	16.22	8.09	2-AB, 2-BC, 2-CA	KA-26 pg 2-87	SA-36 pg 2-89

① Dimensions shown are representative of outside box dimensions and do not include allowances for mounting bumps, hubs, or hardware protrusions.
② 225A available in lower three positions only. 200A continuous for all other positions.

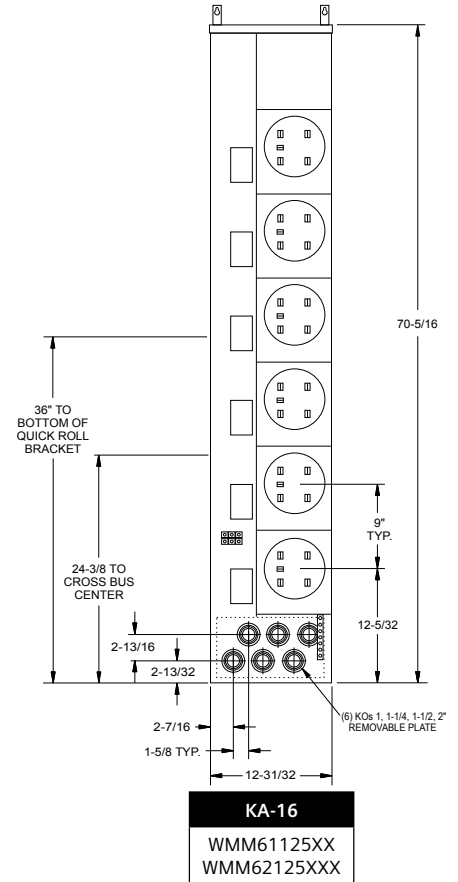
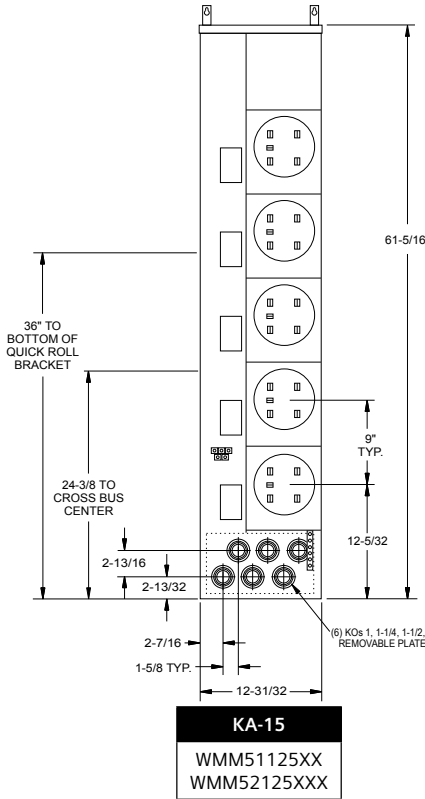
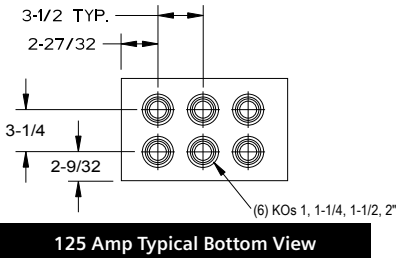
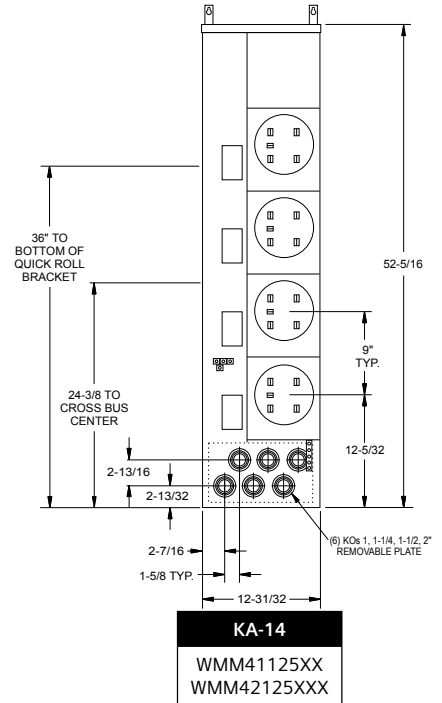
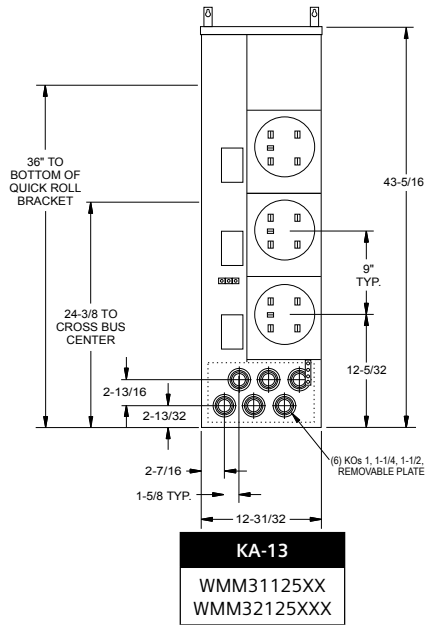
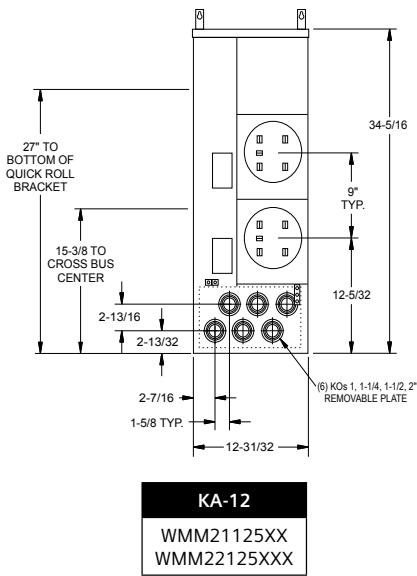
③ Approved for use on 3-phase, 4-wire delta systems. Must field phase away from B phase (A & C phase only).
④ 5th jaw can be isolated if needed.

⑤ Max AIC determined by maximum AIC of tenant breakers. Higher ratings may be achieved through approved series rating combinations.
⑥ Residential Stacks are field phaseable.
⑦ Install QP breakers below QS breakers.

Power Mod

Meter Stacks: WMM Residential Stacks Knockout Diagrams

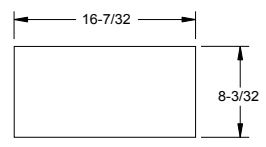
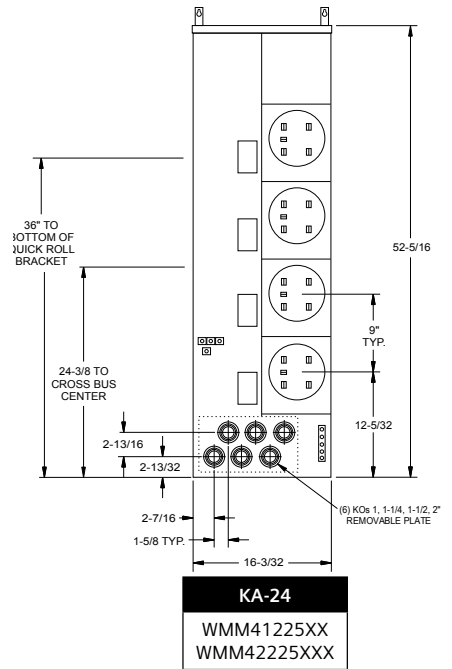
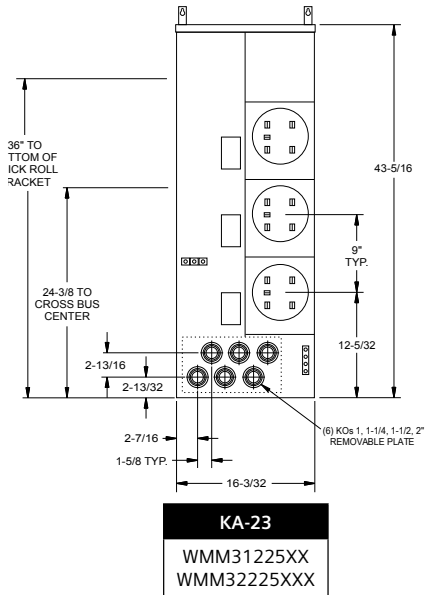
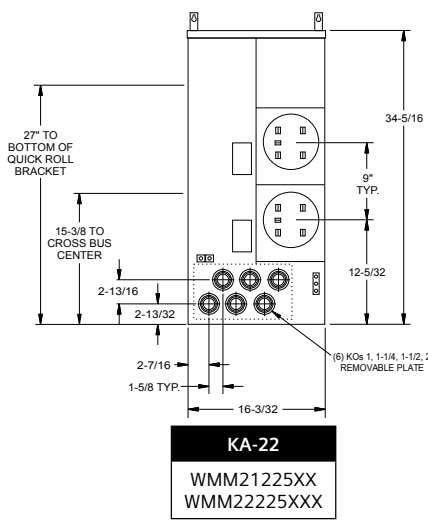
METER CENTERS 2



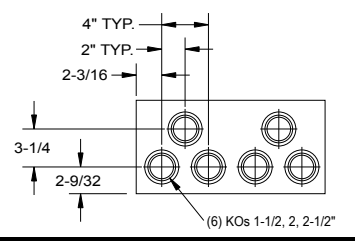
Multi-family Metering

Power Mod

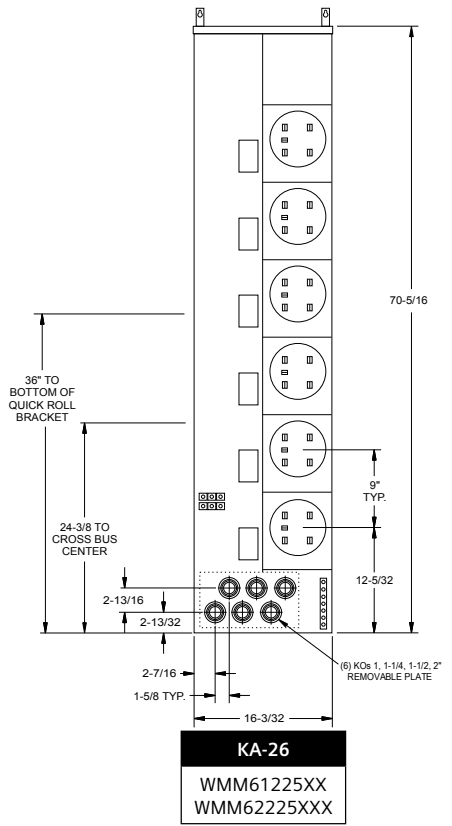
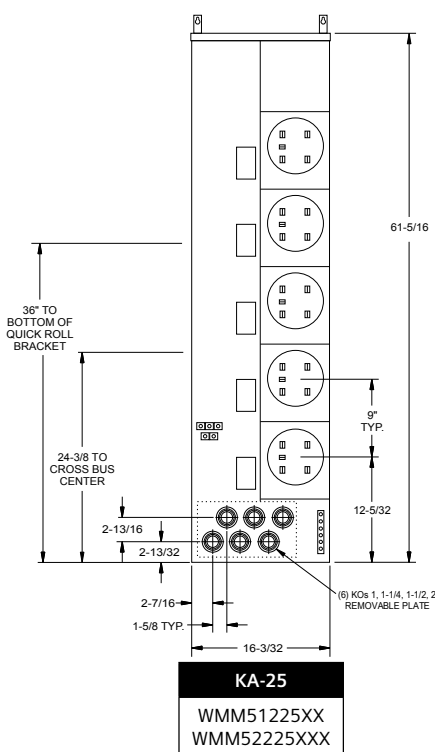
Meter Stacks: WMM Residential Stacks Knockout Diagrams



225 Amp Typical Top View



225 Amp Typical Bottom View



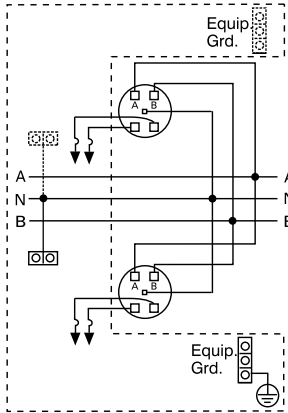
2
METER
CENTERS

Multi-family
Metering

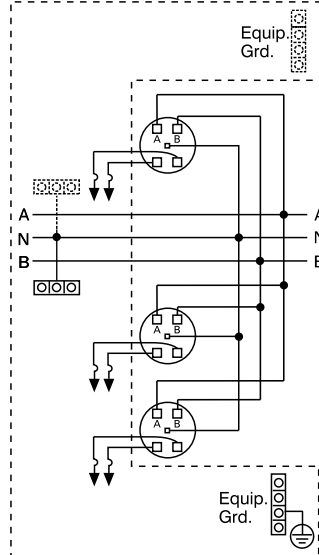
Power Mod

Meter Stacks: WMM Residential Stacks Schematics

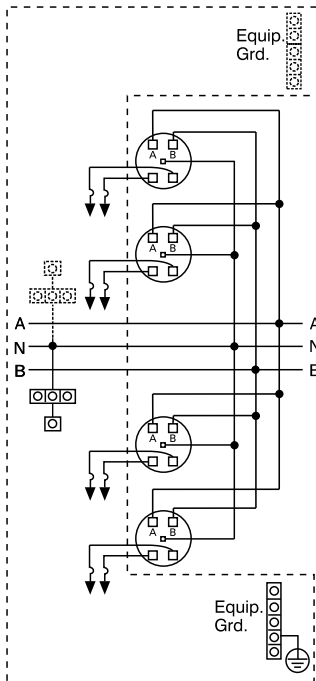
METER CENTERS 2



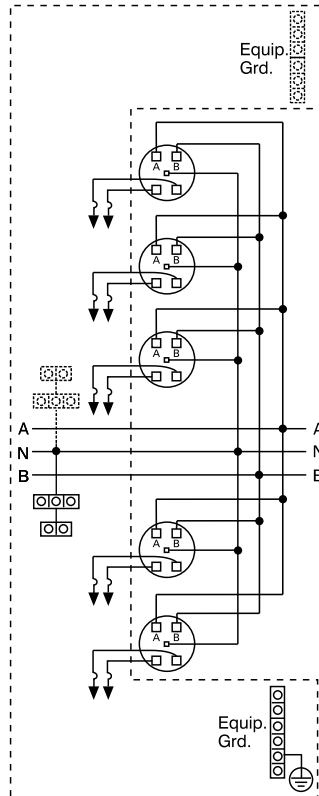
SA-12
WMM21125XX
WMM21225XX



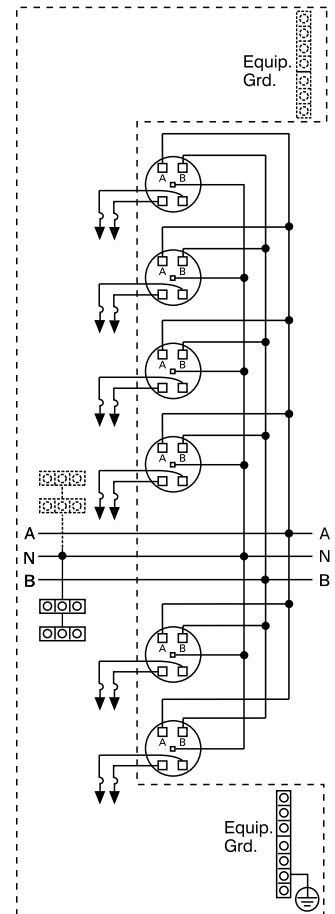
SA-13
WMM31125XX
WMM31225XX



SA-14
WMM41125XX
WMM41225XX



SA-15
WMM51125XX
WMM51225XX

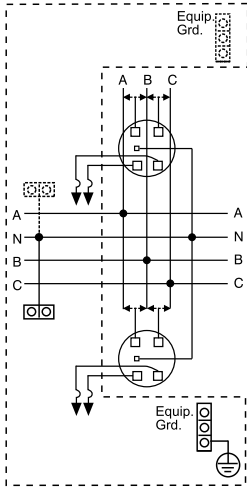


SA-16
WMM61125XX
WMM61225XX

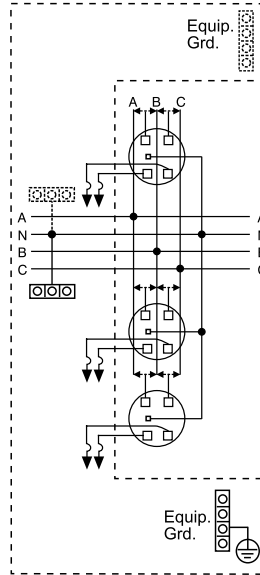
Multi-family Metering

Power Mod

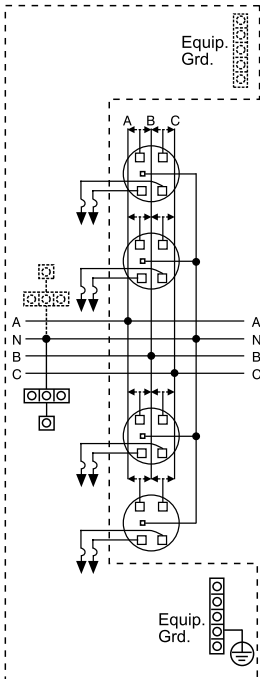
Meter Stacks: WMM Residential Stacks Schematics



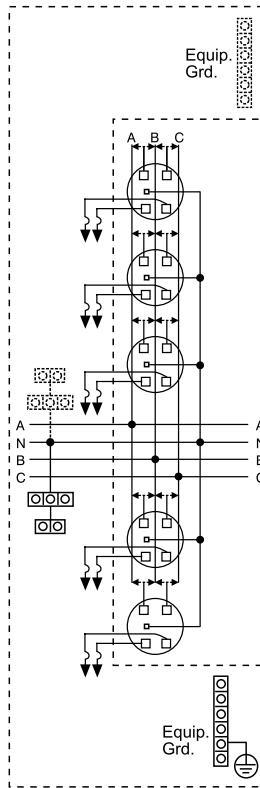
SA-32
WMM22125XXX
WMM22225XXX



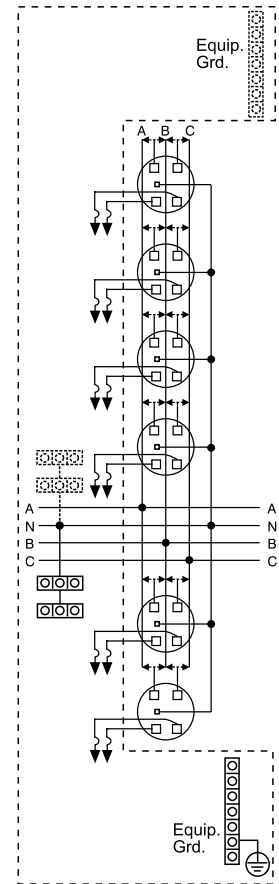
SA-33
WMM32125XXX
WMM32225XXX



SA-34
WMM42125XXX
WMM42225XXX



SA-35
WMM52125XXX
WMM52225XXX



SA-36
WMM62125XXX
WMM62225XXX

Power Mod

Meter Stacks: WML Lever Bypass Stacks Introduction

Lever Bypass Meter Stacks

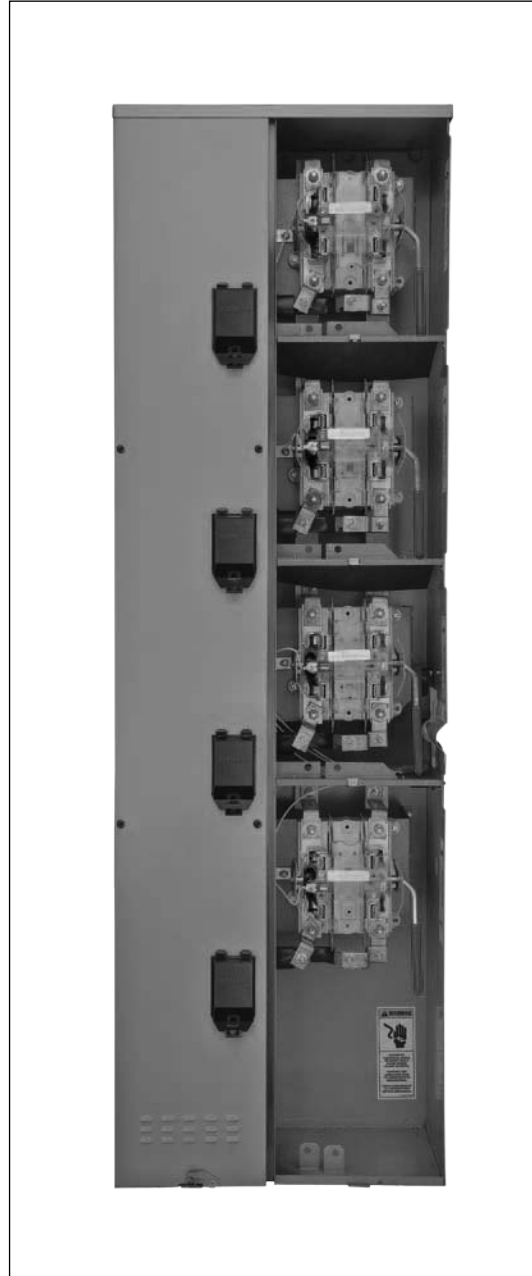
Commercial Lever Bypass meter stacks (type WML) are designed to meet the requirements of those utilities specifying lever bypass meter sockets for residential and commercial applications.

Features include:

- QuickSystem™ features
- High-quality, time-proven Landis & Gyr HQ sockets
- A line of 3-phase 100 Amp meter stacks to minimize tenant main cost
- Removable back knockout plate to facilitate wiring
- 225 Amp capability in single and three phase designs
- Up to 4 positions with 225 Amp tenant mains, up to 2 positions with 400 Amp tenant mains
- Ease of wiring – tenant mains require only a single bend

Lever Bypass Meter Stacks Quick Reference

- 100A/225A 1-4 position
- 400A 1-2 position
- 1200A thru-bus rating
- UL Standard # UL67
- UL file # E27100
- AIC rating (25K, 65K & 100K)
- Voltage
 - Single phase 120/240V AC max
 - Three in single phase out 208Y/120V AC
 - Three Phase 240V AC max
- All swing latches and rivets are stainless steel.
- NEMA 3R rated
- G90 Galvanized Steel
- ANSI 61 Paint
- Custom options now available! Details on page 2-103



Power Mod

Meter Stacks: WML Lever Bypass Stacks – 1Ø Tenant Main

Catalog number	Meter positions per stack	Max. tenant breaker (Amps)	Breaker Provisions	Maximum AIC ^③	Dimensions (inches) ^①			Stack phasing phases/sockets	Knockout Diagram
					Height	Width	Depth		

1-phase, 3-wire SN, incoming and outgoing, lever bypass, 5-jaw sockets^②

WML11225RJ	1	225	QS, QSH, QSHH, HQS, HQSH, QP, QPH, HQP, MP-T, MP-HT, MP-MT	100,000	27.75	19.50	9.00	–	L-1 page 2-93
WML21225RJ	2			100,000	40.75	19.50	9.00	–	L-2 page 2-93
WML31225RJ	3			100,000	49.75	19.50	9.00	–	L-3 page 2-93
WML41225RJ	4			100,000	62.75	19.50	9.00	–	L-4 page 2-93
WML11400RJ ^④	1	400	JXD62B400 Factory inst	25,000	44.00	16.31	9.69	–	L-5 page 2-93
WML21400RJ ^④	2			25,000	70.38	23.00	9.69	–	L-6 page 2-93

3-phase, 4-wire SN, incoming and 1-phase, 3-wire SN outgoing, lever bypass, 5-jaw sockets^{②⑤}

WML12225RJ	1	225	QS, QSH, QSHH, HQS, HQSH, QP, QPH, HQP, MP-T, MP-HT, MP-MT	100,000	27.75	19.50	9.00	1-AB	L-1 page 2-93
WML22AB225RJ	2			100,000	40.75	19.50	9.00	1-AC, 1-BC	L-2 page 2-93
WML22BC225RJ	2			100,000	40.75	19.50	9.00	1-AC, 1-AB	L-2 page 2-93
WML22CA225RJ	2			100,000	40.75	19.50	9.00	1-AB, 1-BC	L-2 page 2-93
WML32225RJ	3			100,000	49.75	19.50	9.00	1-AB, 1-BC, 1-CA	L-3 page 2-93
WML42AB225RJ	4			100,000	62.75	19.50	9.00	2-AB, 1-BC, 1-CA	L-4 page 2-93
WML42BC225RJ	4			100,000	62.75	19.50	9.00	1-AB, 2-BC, 1-CA	L-4 page 2-93
WML42CA225RJ	4			100,000	62.75	19.50	9.00	1-AB, 1-BC, 2-CA	L-4 page 2-93
WML12400RJ ^④	1	400	JXD62B400 Factory Inst	25,000	44.00	16.31	9.69	1-AB	L-5 page 2-93
WML22400RJ ^④	2			25,000	70.38	23.00	9.69	1-AB, 1-BC	L-6 page 2-93

- ① Dimensions shown are representative of outside box dimensions and do not include allowances for mounting bumps, hubs, or hardware protrusions.
- ② Not for use on 3-phase, 4-wire delta systems
- ③ Max AIC determined by maximum AIC of tenant breakers when used in conjunction with a meter socket. Higher overall ratings may be achieved through approved series rating combinations.
- ④ Alternate amperage breakers are available. Please see table on right for suffix that needs to be added. Additional lead time may apply. Contact sales office for details.
- ⑤ Commercial Stacks are not field phaseable.

Alternate amperage breakers

Add Suffix ➤	1 Meter Position Per Stack	Breaker Amperage
	T1	200A
	T2	250A
	T3	300A
	T4	350A

Add Suffix ➤	2 Meter Positions Per Stack	Breaker Amperage
	T5	200A/200A
	T6	200A/250A
	T7	200/300A
	T8	200/350A
	T9	200/400A
	T10	250A/300A
	T11	250A/350A
	T12	250A/400A
	T13	300A/300A
	T14	300A/350A
	T15	300A/400A
	T16	350A/350A
	T17	350A/400A
	T18	250A/250A

Power Mod

Meter Stacks: WML Lever Bypass Stacks – 3Ø Tenant Main

METER CENTERS 2

Catalog number	Meter positions per stack	Max. tenant breaker (Amps) ^③	Breaker provisions	Maximum AIC ^③	Dimensions (inches) ^①			Knockout Diagram
					Height	Width	Depth	

3-phase, 4-wire SN, Incoming and Outgoing, Lever Bypass, 7-Jaw Sockets^⑤

WML13100RJ ^②	1	100	QP, MP-T, QPH, MP-HT, HQP, MP-MT	65,000	27.75	23.50	9.00	L-7 page 2-94
WML23100RJ ^②	2			65,000	40.75	23.50	9.00	L-8 page 2-94
WML33100RJ ^②	3			65,000	49.75	23.50	9.00	L-9 page 2-94
WML43100RJ ^②	4			65,000	62.75	23.50	9.00	L-10 page 2-94
WML13225RJ	1	225	QJ2, QJH2, QJ2H, HQJ2H, MQ, MOH, MQL	100,000	27.75	23.50	9.00	L-11 page 2-94
WML23225RJ	2			100,000	40.75	23.50	9.00	L-12 page 2-94
WML33225RJ	3			100,000	49.75	23.50	9.00	L-13 page 2-95
WML43225RJ	4			100,000	62.75	23.50	9.00	L-14 page 2-95
WML13400RJ ^④	1	400	JXD63B400 Factory Inst	25,000	44.00	16.31	9.69	L-5 page 2-93
WML23400RJ ^④	2			25,000	70.38	23.00	9.69	L-6 page 2-93

Alternate amperage breakers

Add Suffix ➤	1 Meter Position Per Stack	Breaker Amperage
	T1	200A
	T2	250A
	T3	300A
	T4	350A

Add Suffix ➤	2 Meter Positions Per Stack	Breaker Amperage
	T5	200A/200A
	T6	200A/250A
	T7	200/300A
	T8	200/350A
	T9	200/400A
	T10	250A/300A
	T11	250A/350A
	T12	250A/400A
	T13	300A/300A
	T14	300A/350A
	T15	300A/400A
	T16	350A/350A
	T17	350A/400A
T18	250A/250A	

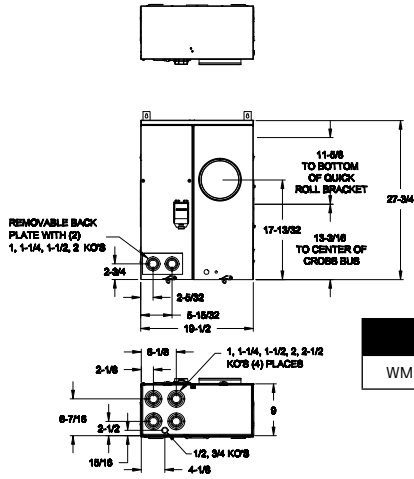
- ① Dimensions shown are representative of outside box dimensions and do not include allowances for mounting bumps, hubs, or hardware protrusions.
- ② 3-pole breakers only
- ③ Max AIC determined by maximum AIC of tenant breakers when used in conjunction with a meter socket. Higher overall ratings may be achieved through approved series rating combinations.
- ④ Alternate amperage breakers are available. Please see below table for suffix that needs to be added. Additional lead time may apply. Contact sales office for details.
- ⑤ Rated for use with 240/120V Delta systems

Multi-family Metering

Power Mod

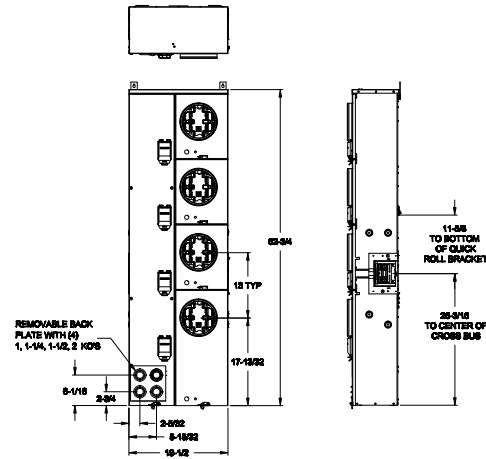
Meter Stacks: WML Lever Bypass Stacks Knockout Diagrams

2
METER
CENTERS



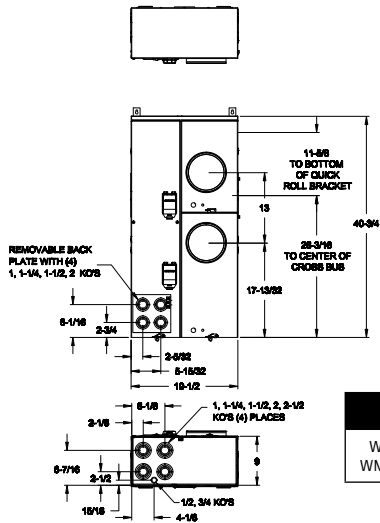
L-1

WML11225RJ	WML12225RJ
------------	------------



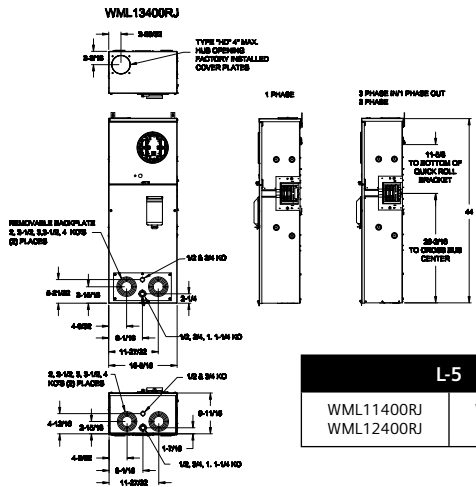
L-4

WML14225RJ	WML42BC225RJ
WML42AB225RJ	WML42CA225RJ



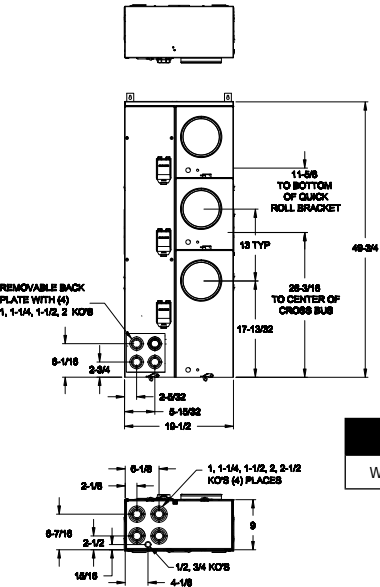
L-2

WML21225RJ	WML22BC225RJ
WML22AB225RJ	WML22CA225RJ



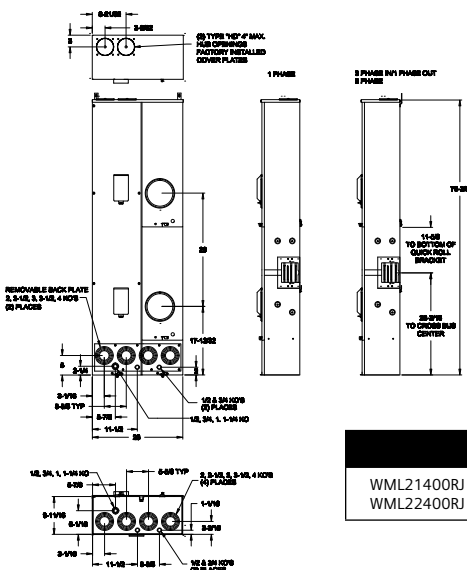
L-5

WML11400RJ	WML13400RJ
WML12400RJ	



L-3

WML31225RJ	WML32225RJ
------------	------------



L-6

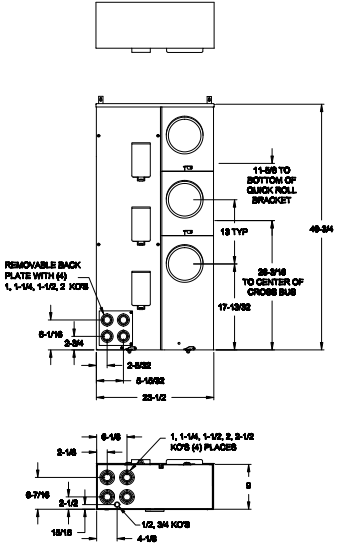
WML21400RJ	WML23400RJ
WML24400RJ	

Multi-family
Metering

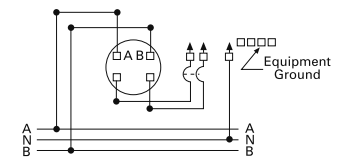
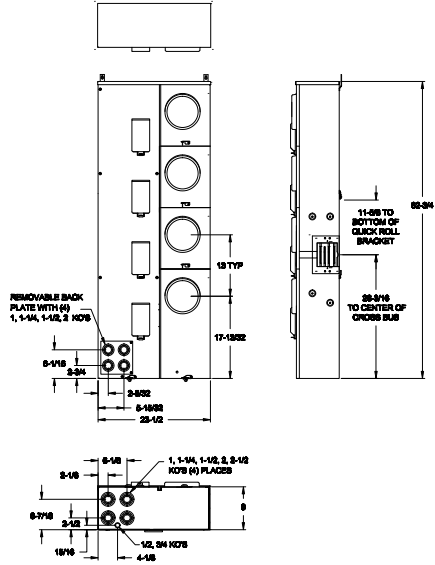
Power Mod

Meter Stacks: WML Lever Bypass Stacks Knockout Diagrams

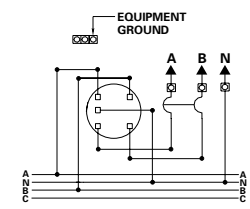
L-13
WML33225RJ



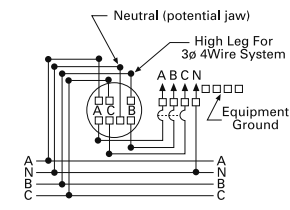
L-14
WML43225RJ



WML11400RJ

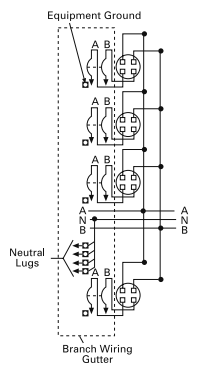


WML12400RJ

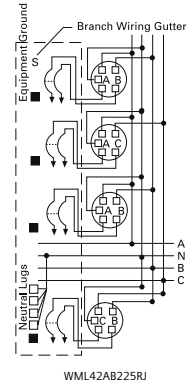


WML13400RJ

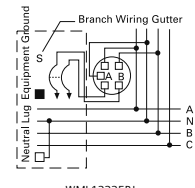
1-Phase Incoming & Outgoing



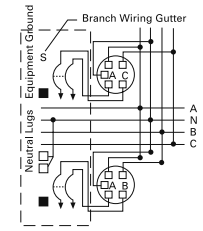
WMLX1225RJ



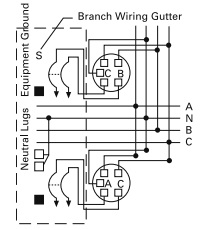
WML42AB225RJ



WML12225RJ

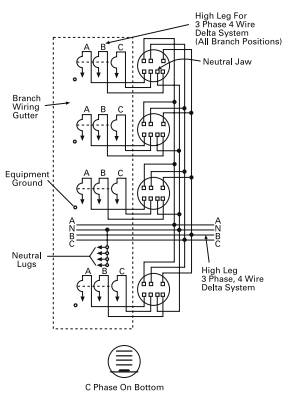


WML228C225RJ

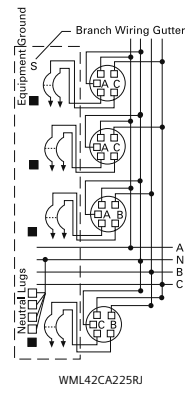


WML22AB225RJ

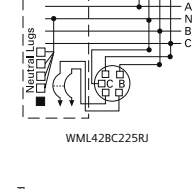
3-Phase Incoming & Outgoing



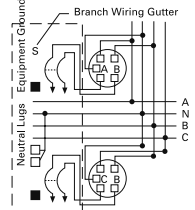
WMLX3100RJ
WMLX3225RJ



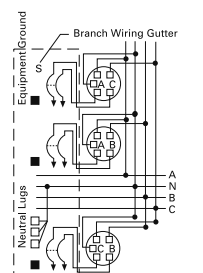
WML42CA225RJ



WML42BC225RJ



WML22CA225RJ



WML3225RJ

Power Mod

Meter Stacks: WMK K-Base Stacks Introduction

K-Base Meter Stacks

Commercial K-Base Meter Stacks (type WMK) are designed to meet the requirements of those utilities specifying bolt-in meter sockets for 400 and 600 Amp residential and commercial applications.

Features include:

- QuickSystem™ features
- Exclusive Landis & Gyr K4, K5, & K7 meter sockets
- 1 position K4, K5, K7 modules with 400 & 600 Amp tenant mains
- 2 position K7 module with 400 Amp tenant main
- Space saving design

K-Base Meter Stacks Quick Reference

- 400A & 600A 1-2 positions
- 1200A Thru bus-rating
- UL Standard # UL67
- UL file # E27100
- AIC Rating (25k)
- Voltage
 - Single Phase 120/240V AC Max
 - Three In Single Phase Out 208Y/120V AC
 - Three Phase 240V AC Max
- All swing latches and rivets are stainless steel
- NEMA 3R rated
- G90 Galvanized Steel
- ANSI 61 Paint
- Custom options now available! Details on page 2-103



Power Mod

Meter Stacks: WMK K-Base Stacks – 1Ø and 3Ø

K-Base stacks use bolt-in meters. Contact utility prior to installation

Catalog number	Meter positions per stack	Max. tenant breaker (Amps)	Breaker provision ^②	Dimensions (inches) ^①			Phase	Knockout Diagram
				Height	Width	Depth		

1-phase, 3-wire SN, Incoming and Outgoing, K4 K-Base Bolt-in, 25k AIC^③

WMK11400R ^④	1	400	JXD62B400 Factory Inst.	54.00	19.25	10.00	—	KB-1 page 2-98
WMK11600R ^⑤	1	600	LXD62B600 Factory Inst.	54.00	19.25	10.00	—	KB-1 page 2-98

3-phase, 4-wire SN, incoming and 1-phase, 3-wire SN outgoing, K5 K-Base bolt-in^⑥, 25k AIC^③

WMK12400RJ ^④	1	400	JXD62B400 Factory Inst.	54.00	19.25	10.00	AB	KB-2 page 2-98
WMK22400RJ	2	400	JXD62B400 Factory Inst.	72.87	27.00	11.00	AC	KB-3 page 2-98

3-phase, 4-wire SN, incoming and outgoing, K7 K-Base bolt-in^⑦, 25k AIC^③

WMK13400RJ ^④	1	400	JXD63B400 Factory Inst.	54.00	19.25	10.00	—	KB-2 page 2-98
WMK23400RJ ^④	2			72.88	27.00	11.00	—	KB-3 page 2-98
WMK13600RJ ^⑤	1	600	LXD63B600 Factory Inst.	54.00	19.25	10.00	—	KB-2 page 2-98

- ① Dimensions shown are representative of outside box dimensions and do not include allowances for mounting bumps, hubs, or hardware protrusions.
- ② Not for use on 3-Phase 4-wire delta systems
- ③ Max AIC determined by maximum AIC of tenant breakers when used in conjunction with a meter socket. Higher overall ratings may be achieved through approved series rating combinations
- ④ Alternate amperage breakers are available. Please see table below for suffix that needs to be added for ordering. Extended leadtime may apply. Contact sales office for more details.
- ⑤ Rated for use with 240/120V Delta systems
- ⑥ Commercial Stacks are not field phaseable
- ⑦ Alternate amperage breakers are available (T19 and T20). Please see table below for suffix that needs to be added for ordering. Extended leadtime may apply. Contact sales office for more details.

Alternate amperage breakers

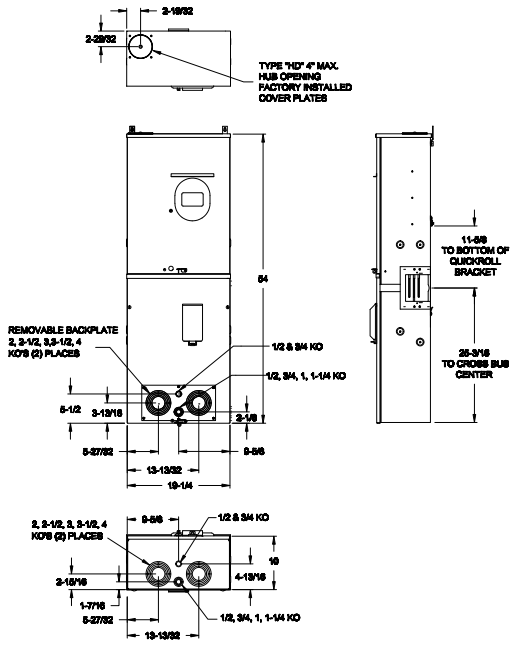
Add Suffix ➤	1 Meter Position Per Stack	Breaker Amperage
	T1	200A
	T2	250A
	T3	300A
	T4	350A
	T19	450A
	T20	500A

Add Suffix ➤	2 Meter Positions Per Stack	Breaker Amperage
	T5	200A/200A
	T6	200A/250A
	T7	200/300A
	T8	200/350A
	T9	200/400A
	T10	250A/300A
	T11	250A/350A
	T12	250A/400A
	T13	300A/300A
	T14	300A/350A
	T15	300A/400A
	T16	350A/350A
	T17	350A/400A
T18	250A/250A	

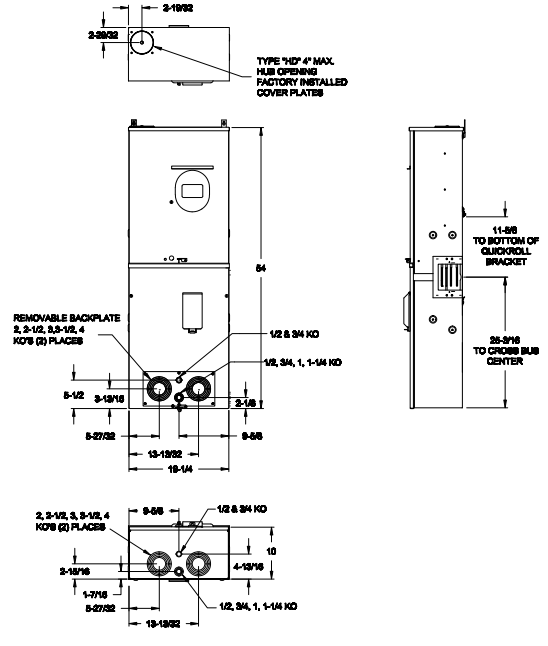
Power Mod

Meter Stacks: WMK K-Base Stacks Knockout Diagrams

METER CENTERS 2

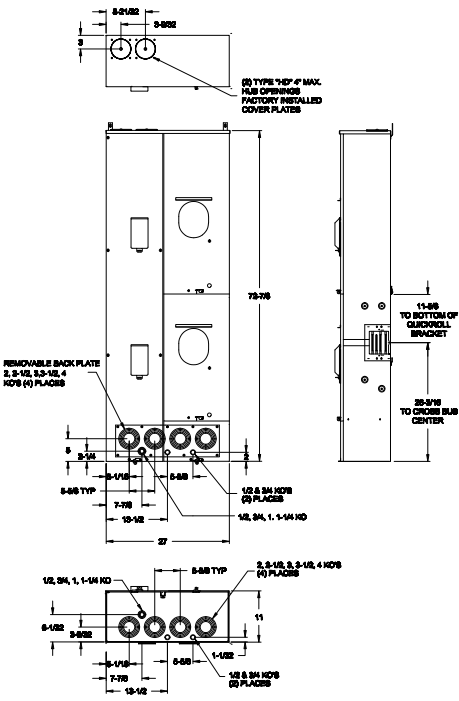


KB-1
WMK11400R
WMK11600R

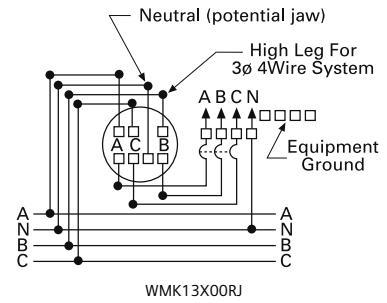
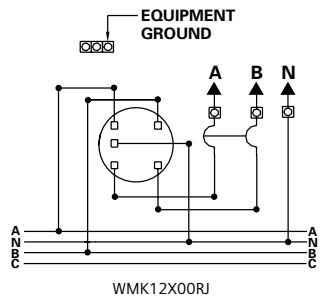
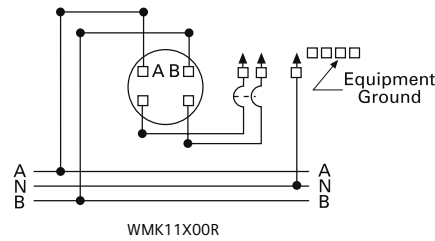


KB-2
WMK12400RJ
WMK13400RJ | WMK13600RJ

Multi-family Metering



KB-3
WMK22400RJ
WMK23400RJ



Power Mod

Meter Stacks: WMT Test Block Bypass Stacks Introduction

Test Block Bypass Meter Stacks

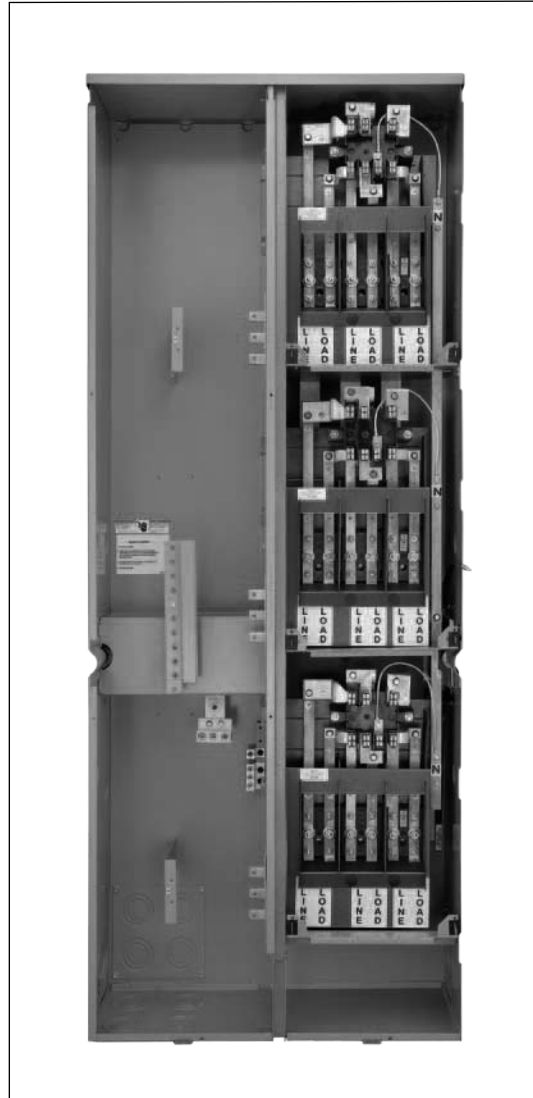
Commercial Test Block Bypass Meter Stacks (type WMT) are designed to meet the requirements of those utilities specifying test block bypass meter sockets for commercial applications in areas subscribing to the EUSERC standards.

Features include:

- QuickSystem™ features
- High-quality, time-proven Siemens SMM switchboard meter socket
- Removable back knockout plate to facilitate wiring
- 225 Amp capability in single and three phase designs
- Up to 3 positions with 225 Amp tenant mains
- Wiring flexibility - tenant mains require only a single bend
- Three phase input, single phase output modules
- In line wiring: side knockouts allow wiring for adjacent units to pass through

Test Block Bypass Meter Stacks Quick Reference

- 225A 1-3 positions
- 1200A thru-bus rating
- UL Standard #'s UL67
- UL file # E27100
- AIC Rating (100k)
- Voltage
 - Single phase 120/240V AC max
 - 3 phase in single phase out 120Y/208V AC max
 - Three phase 240V AC max
- All swing latches and rivets are stainless steel
- NEMA 3R rated
- G90 galvanized steel
- ANSI 61 paint
- EUSERC drawing numbers 312 and 353
- Custom options now available! Details on page 2-103



Power Mod

Meter Stacks: WMT Test Block Bypass Stacks

Commercial Ringless Type Meter Stacks: Test Block Bypass, 100k AIC^③

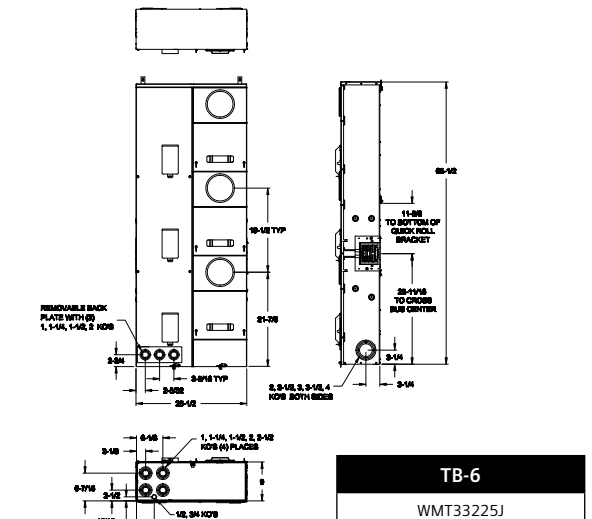
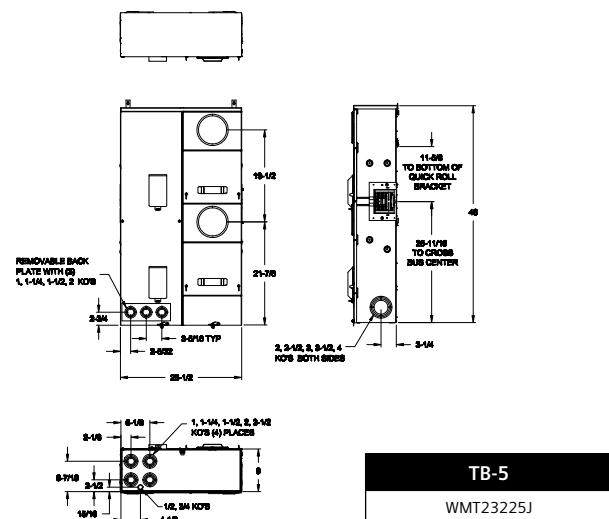
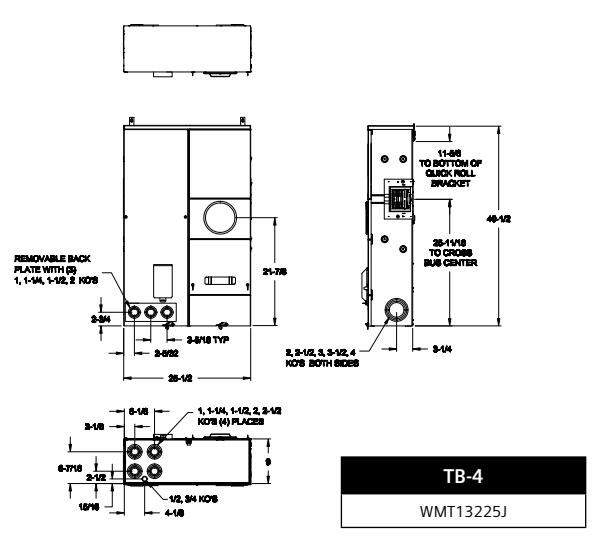
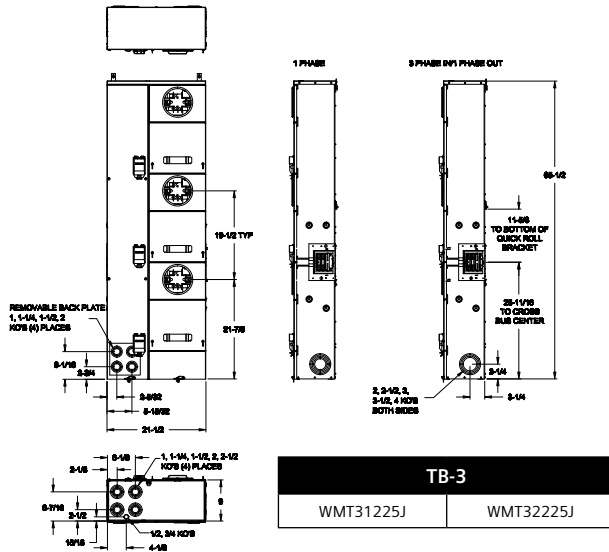
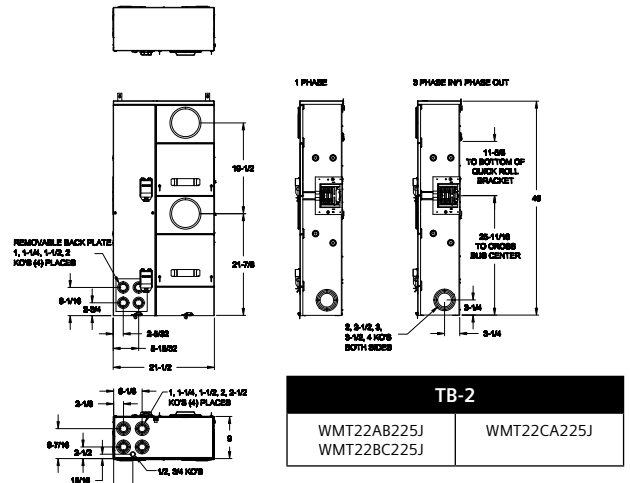
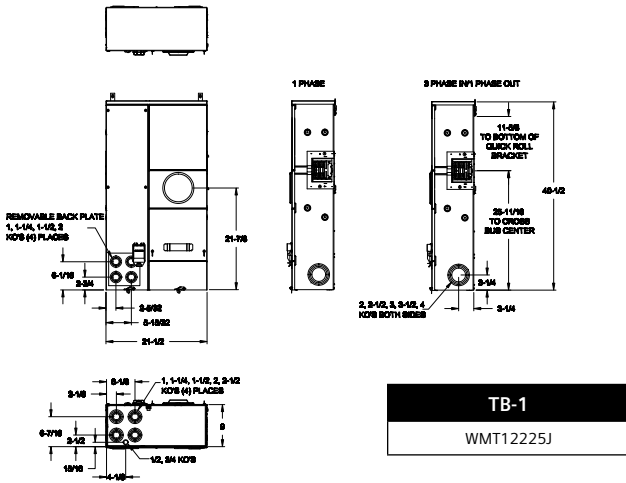
Catalog number	Meter positions per stack	Max. tenant breaker (Amps)	Breaker provisions	Dimensions (inches) ^①			Phase	Knockout Diagram
				Height	Width	Depth		
1-phase, 3-wire SN, Incoming and Outgoing, Test Block Bypass, 4-Jaw Sockets^②								
WMT11225	1	225	QS, QSH, QSHH, HQS, HQSH, QP, QPH, HQP, MP-T, MP-HT, MP-MT	40.50	21.50	9.00	—	TB-1 page 2-101
WMT21225	2	225		46.00	21.50	9.00	—	TB-2 page 2-101
WMT31225	3	225		65.50	21.50	9.00		TB-3 page 2-101
3-phase, 4-wire SN, Incoming and 1-phase, 3-wire SN Outgoing, Test Block Bypass, 5-Jaw Sockets^{② ⑤}								
WMT12225J	1	225	QS, QSH, QSHH, HQS, HQSH, QP, QPH, HQP, MP-T, MP-HT, MP-MT	40.50	21.50	9.00	AB	TB-1 page 2-101
WMT22AB225J	2	225		46.00	21.50	9.00	1-BC, 1-CA	TB-2 page 2-101
WMT22BC225J	2	225		46.00	21.50	9.00	1-AB, 1-CA	TB-2 page 2-101
WMT22CA225J	2	225		46.00	21.50	9.00	1-AB, 1-BC	TB-2 page 2-101
WMT32225J	3	225		65.50	21.50	9.00	1-AB, 1-BC, 1-CA	TB-3 page 2-101
3-phase, 4-wire SN, Incoming and Outgoing, Test Block Bypass, 7-Jaw Sockets^④								
WMT13225J	1	225	QJ2, QJH2, QJ2H, HQJ2H, MQ, MQH, MQL	40.50	25.50	9.00	—	TB-4 page 2-101
WMT23225J	2	225		46.00	25.50	9.00	—	TB-5 page 2-101
WMT33225J	3	225		65.50	25.50	9.00	—	TB-6 page 2-101

① Dimensions shown are representative of outside box dimensions and do not include allowances for mounting bumps, hubs, or hardware protrusions.
 ② Not for use on 3-phase, 4-wire delta systems.

③ Max AIC determined by maximum AIC of tenant breakers when used in conjunction with a meter socket.
 ④ Rated for use with 240/120V Delta systems.
 ⑤ Commercial Stacks are not field phaseable.

Power Mod

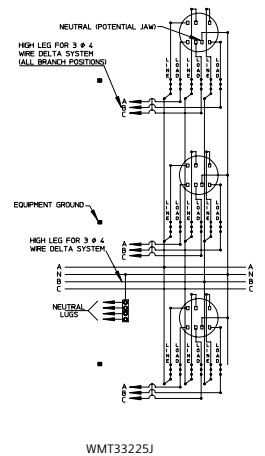
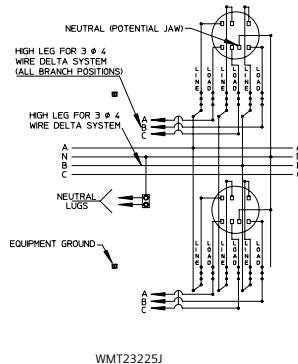
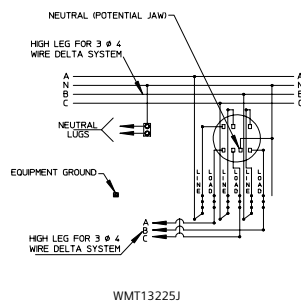
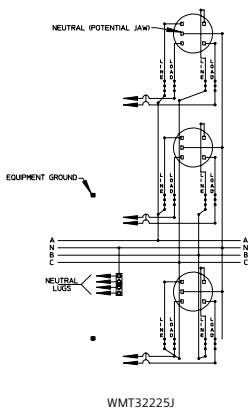
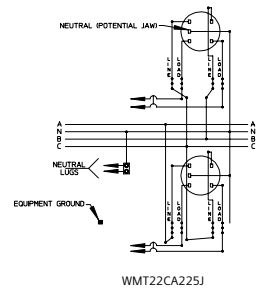
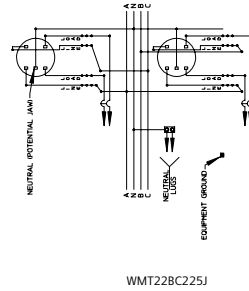
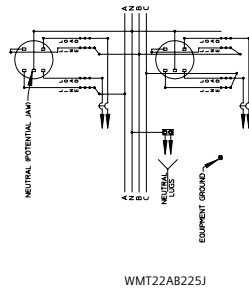
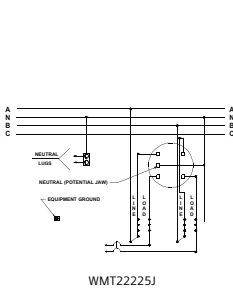
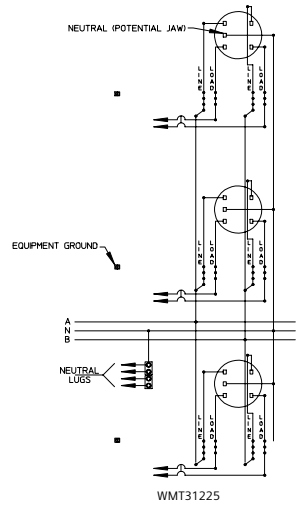
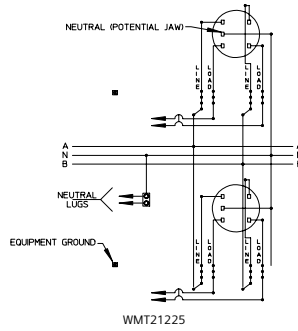
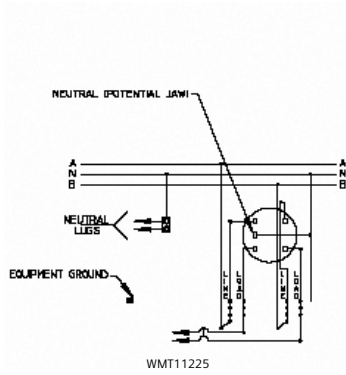
Meter Stacks: WMT Test Block Bypass Stacks Knockout Diagrams



Power Mod

Meter Stacks: WMT Test Block Bypass Stacks Schematics

METER CENTERS 2



Multi-family Metering