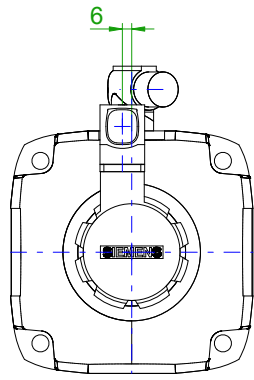
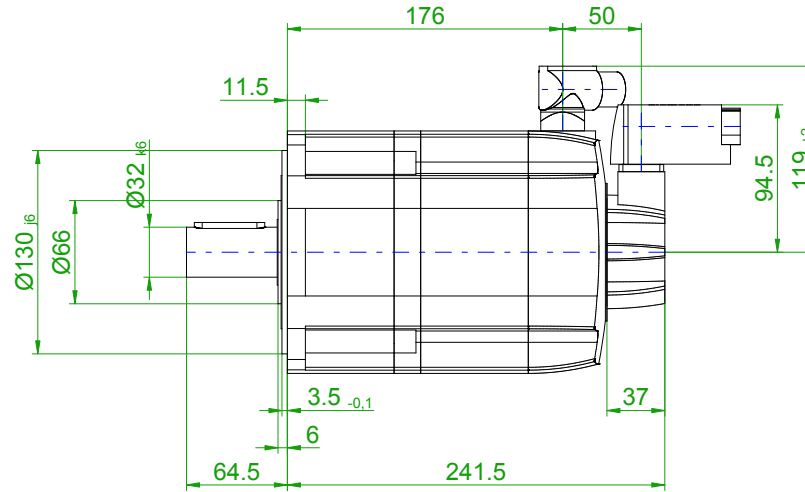
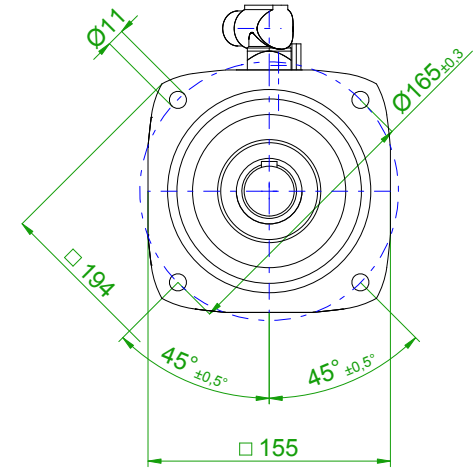


back view

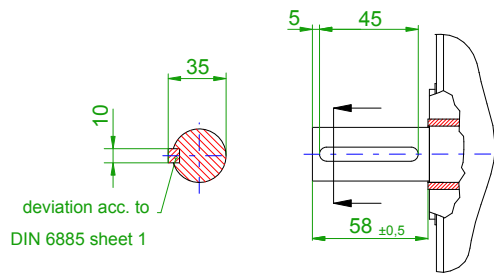


front view

center hole  
DIN 332-DR M12

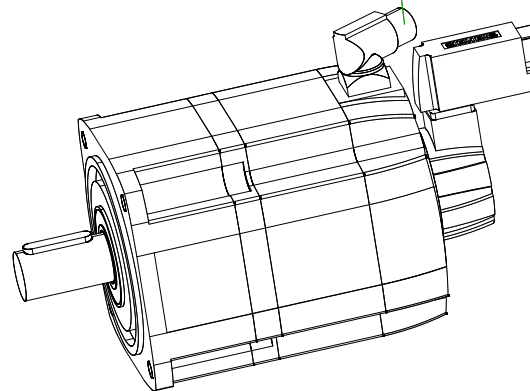


version with featherkey

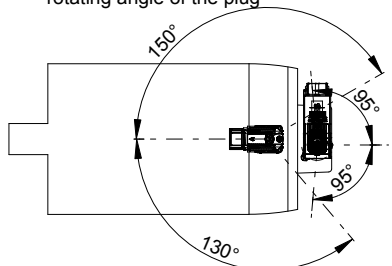


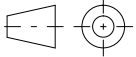
6-pole plug size 1  
for power and brake

10-pole  
signal plug



rotating angle of the plug



		<b>SIEMENS</b>	
Einheit / unit: mm		Synchron-Servomotor Synchronous Servo Motor:	1FT7082-5AC70-1FB0
nicht tolerierte Maße / not toleranced dimensions:		Optionen / options:	
±1		Gewicht / mass:	18.3 kg
Maßstab / scale: ohne / without		Bemerkung / notice:	
CAD CREATOR 2.2 (WWW-Version V02.20.00.00)		Druckdatum / print date:	24.04.2019