

1

2

3

4

5

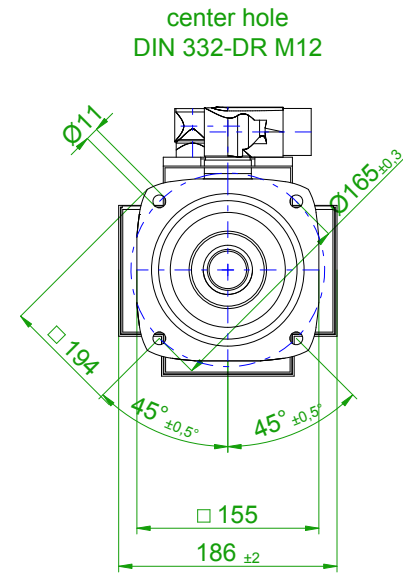
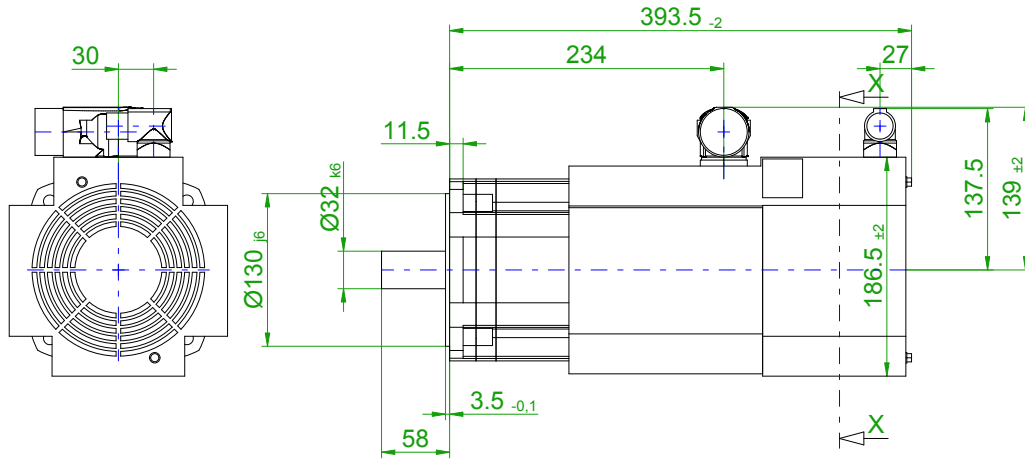
6

7

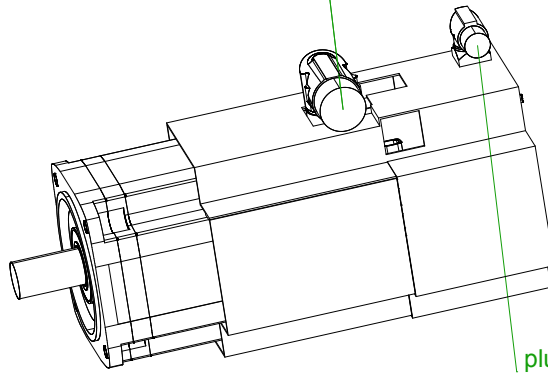
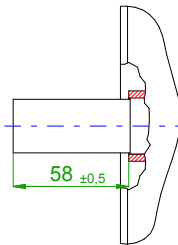
8

back view

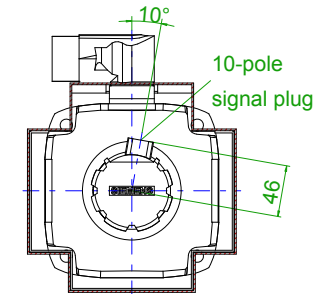
front view



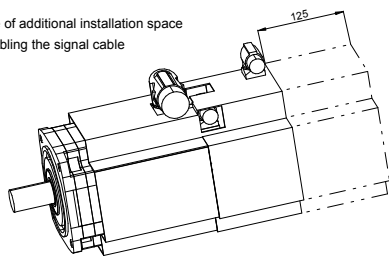
6-pole plug size 1.5 for power



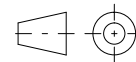
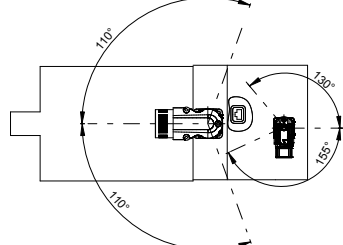
X-X



Take care of additional installation space for assembling the signal cable



rotating angle of the plug



SIEMENS

Einheit / unit: mm

Synchron-Servomotor  
Synchronous Servo Motor:

1FT7086-5SH71-1CG1

nicht tolerierte Maße /  
not toleranced dimensions:

±1

Optionen / options:

Gewicht / mass:

32.2 kg

Maßstab / scale: ohne / without

Bemerkung / notice:

CAD CREATOR 2.2 (WWW-Version V02.20.00.00)

Druckdatum / print date:

22.08.2019

A

B

C

D

E

F

A

B

C

D

E