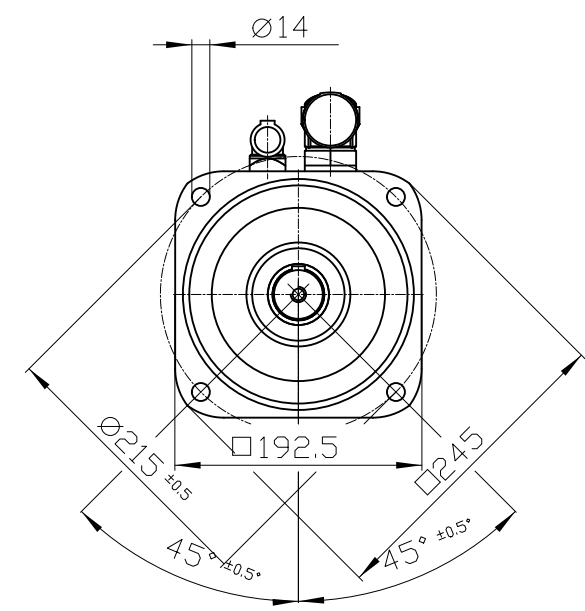
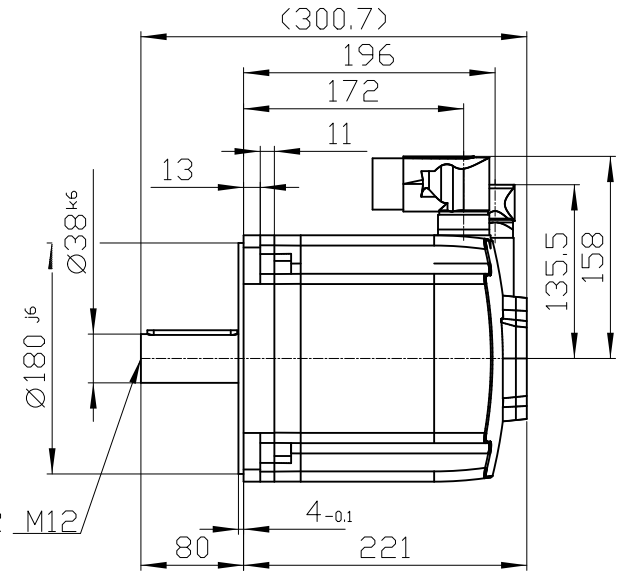
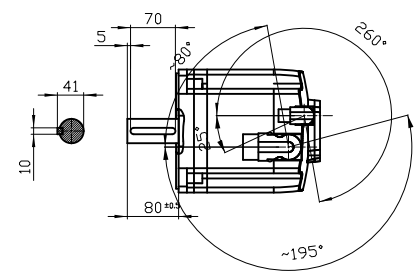
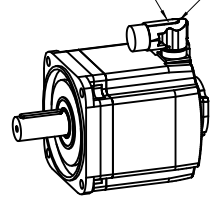


DIN 332-DR M12



Connector size 1.5 = M40; 6-pole for power and brake

Connector size M23, 12-pole



		-
		-
Unit	mm (in)	1FK7103-2AF71-1SA2
Date	2/4/20	
SIEMENS AG		-
		DT