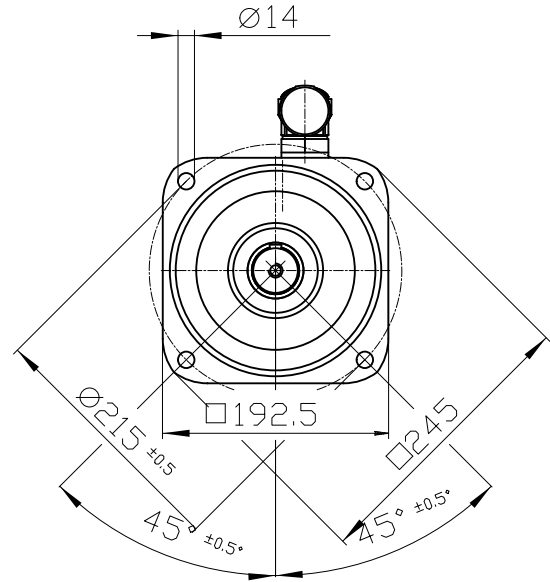
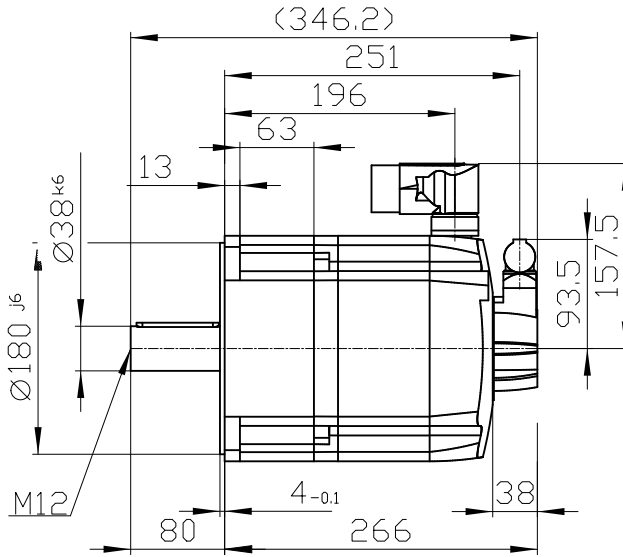
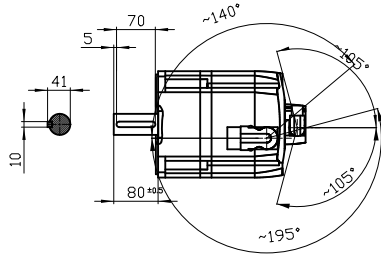
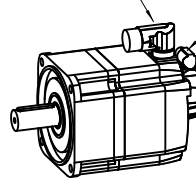


DIN 332-DR M12



Connector size 1.5 = M40; 6-pole for power and brake



Connector size M23, 17-pole

	-
	-
Unit	mm (in)
Date	2/5/20
SIEMENS AG	
1FK7101-2AC71-1EB2	
-	
DT	