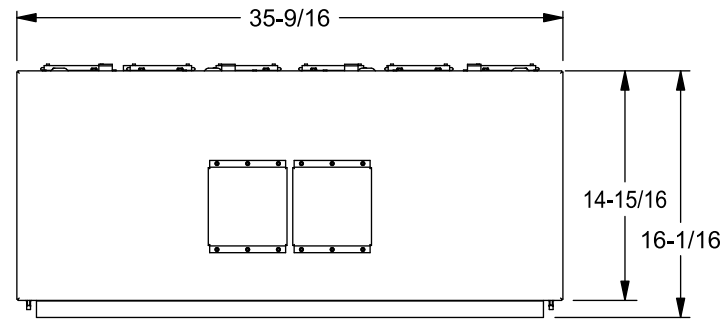
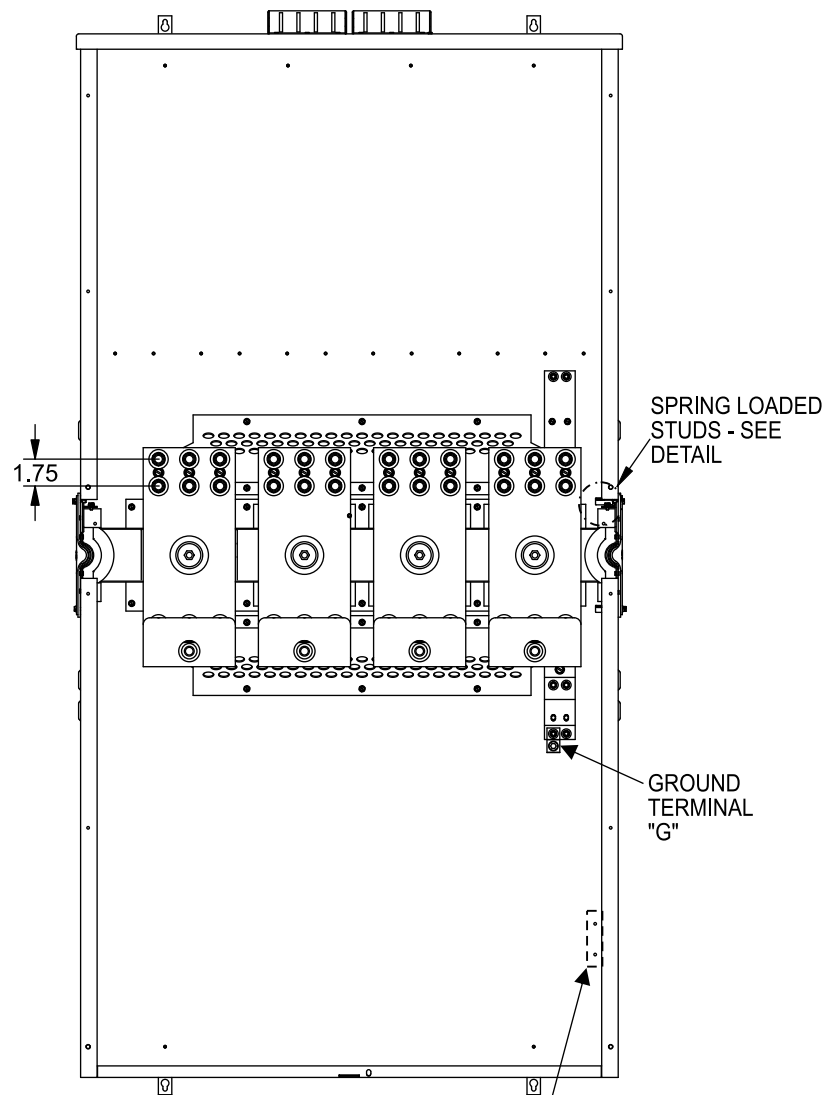


Features and Ratings

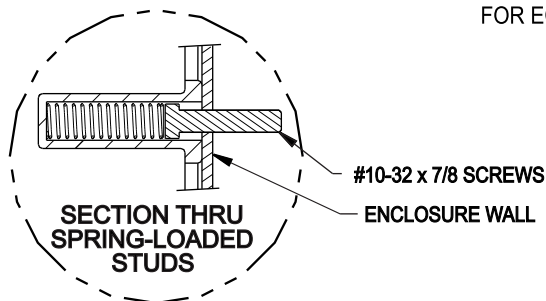
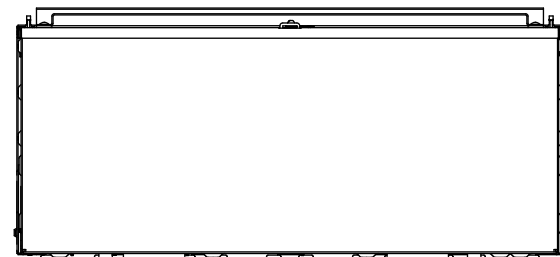
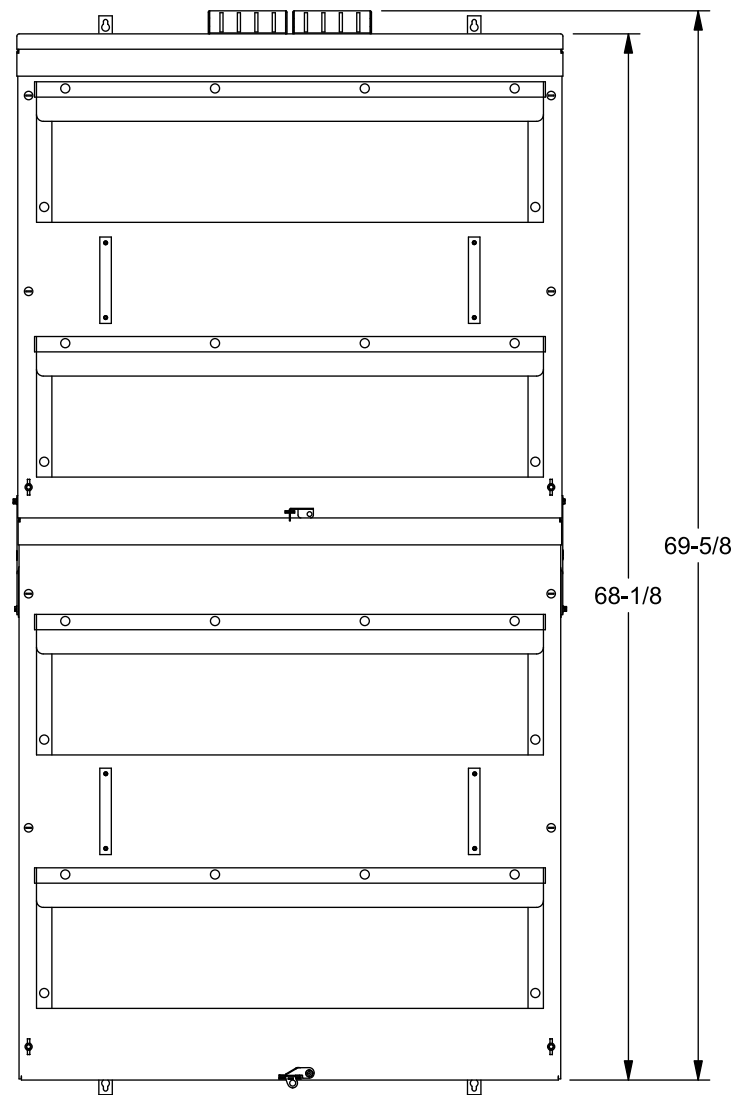
- MODULE RATING: 2400 AMPS, 240V AC MAX.
- MAIN BUS RATING: 1200 AMPS, 240V AC MAX. (1200A MAX PER SIDE)
- 100,000 AIC RATING MAX, SEE DIAGRAM FOR DETAILS
- 3 PHASE
- TYPE 3R OUTDOOR ENCLOSURE
- FOR OVERHEAD SERVICE ONLY
- MOUNTING RAILS AND ADJUSTABLE BRACKETS FOR SECURE MOUNTING



VIEW SHOWN WITHOUT COVERS



INSTALL LOCATION FOR ECLX072M



Lug Kits and Replacement Parts

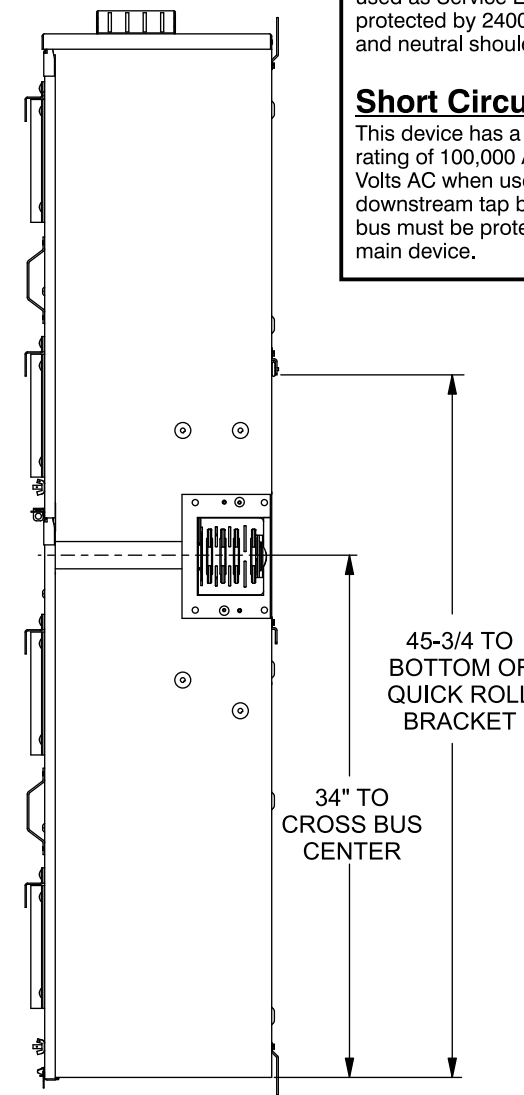
Lugs for Phase and Neutral Connections (not supplied)					
Lug No.	MFG	Wire Range	Type	No. Wires per phase	Torque (lb.-in.)
LK36750N2	Siemens	300-750 kcmil	Mechanical	6	500
LK38500N2C	Siemens	300-500 kcmil Copper	Mechanical	8	500
LK38750N2A	Siemens	300-750 kcmil Aluminum	Mechanical	8	500
2ACL-750	ILSCO	750 kcmil	Compression	6	NA ②

- ① Order one mechanical lug kit for mains and neutral. Contact lug manufacturer for compression lug quantities supplied for each kit.
- ② See lug manufacturer's instruction sheet supplied with the connector for tool, die, and number of crimps.

Suitable for Use as Service Equipment when not more than six main disconnecting means are provided and bonding strap is installed. When not used as Service Equipment this device must be protected by 2400 Amp maximum Class L fuses and neutral should not be bonded.

Short Circuit Current Rating

This device has a maximum short circuit current rating of 100,000 Amps RMS symmetrical at 240 Volts AC when used with modules listed below. All downstream tap boxes connected to the cross bus must be protected by a WXB series cross bus main device.



Additional Modules

IMPORTANT - for use with:

Module Description	Siemens Series#
Main Breakers	WB(M), WEB(M), WXB, BFT
Switches	WMP, WS, WES, WXS
Tap/Terminal Boxes	WTB, WET, WT_PU, WTBN, WBT
Pull Boxes	WMMB
Meter Module	(W)MM, (W)MT, (W)ML, (W)MK, (W)MLZ(F), (W)MN
Meter Combinations	WC, WCL, WCT,
Extension Box	WSP, WSPD
Bussed Elbow	BE, WELB

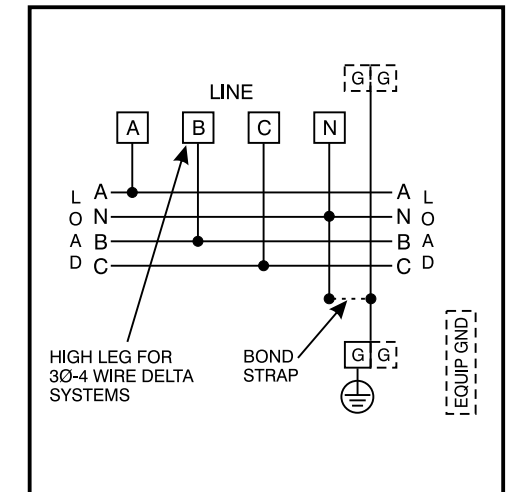
Accessories

Ground Terminal G
(Accessory Cat.# ECMLK3225):
Wire size #4-300 kcmil. Torque terminal to 250 lb.-in.

Connect Modules Using:	Catalog Number / Torque
QuickConnect	QC4, Torque 400-440 lb-in (35-36 ft.-lb.)

Equip Ground Acc'y Cat. No. ECLX072M	
Small Terminals	Large Terminals
Wire Range / Torque	Wire Range / Torque
10-14 AWG 20 lb-in	10-14 AWG 35 lb-in
8 AWG 25 lb-in	8 AWG 40 lb-in
6 AWG 35 lb-in	1/0-6 AWG . 45 lb-in

Schematic



© 2018 Copyright Siemens Industry, Inc.

SIEMENS
Siemens Industry, Inc.

PowerMod™ Tap Box

Description: **3 Phase, 2400A, No Hub Openings, Top Feed Entrance Tap Box**

KAM 4/30/18 DO NOT SCALE DRAWING Dwg No. **WTB32400TUNH**

Catalog No. WTB32400TUNH