

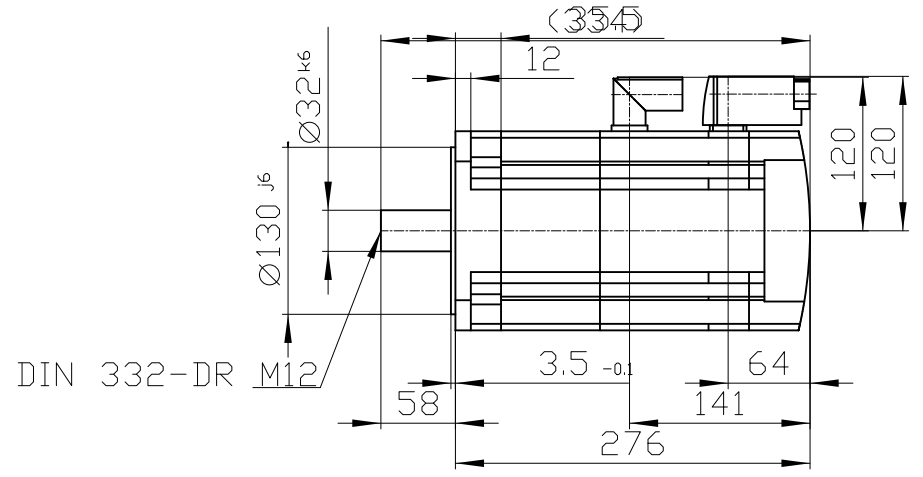
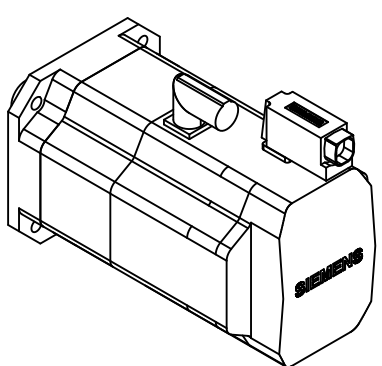
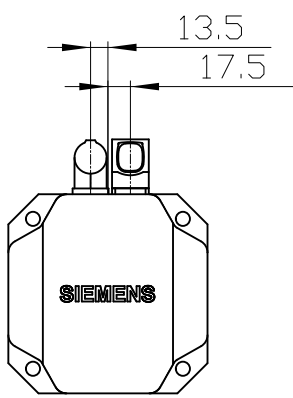
Conflicto a titre de secret d'entreprise. Tous droits réservés.
 Conflicto como secreto industrial. Nos reservamos todos los derechos.
 Comunicado como segredo empresarial. Reservados todos os direitos.

Copyright © Siemens AG 2005
 Code-drawing do not make any manual changes

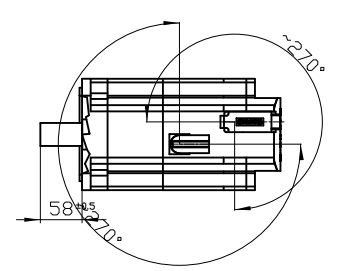
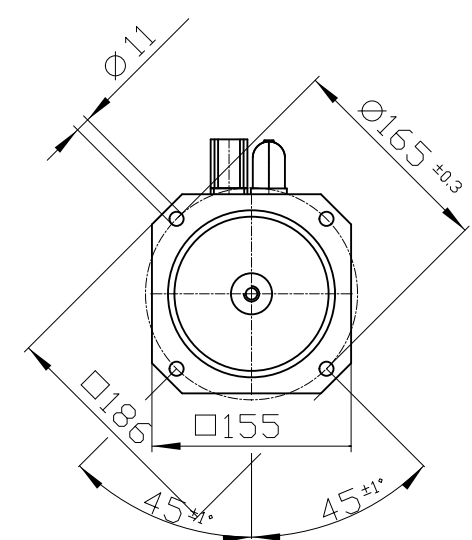
Copyright © Siemens AG 2005
 The reproduction or use of this document or its contents is not permitted without express written authority.
 Diffensoren will be liable for damages. All rights, including rights created by patent grant or registration of a utility model or design, are reserved.

Weitergabe sowie Vervielfältigung dieser Unterlage, Verwertung und Mitteilung ihres Inhalts nicht gestattet, soweit nicht ausdrücklich zugestanden. Zuwahlungen verpflichten zu Schadenersatz. Alle Rechte vorbehalten, insbesondere fuer den Fall der Patenterteilung oder Gk-Entragung.

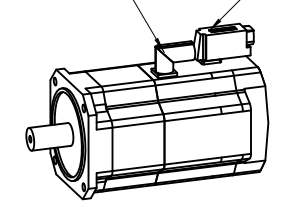
Further dissemination and reproduction of this document, its use and disclosure of its contents are not permitted unless expressly authorized. Unauthorised use entails liability for damages. All rights reserved, in particular in the event of a patent or design registration.



DIN 332-DR M12



Connector size 1 = M23;
 6-pole for power and brake
 10-pole RJ45 socket



Unit		mm (in)	1FK7083-5AH71-1FH5-Z
Date		2/10/20	
SIEMENS AG		X01	
			DT