

22MM PLASTIC ROUND COMPLETE UNIT COMBINATION:
 PUSHBUTTON WITH FLAT BUTTON SCREW TERMINAL, 1NO
 WITH HOLDER BLUE

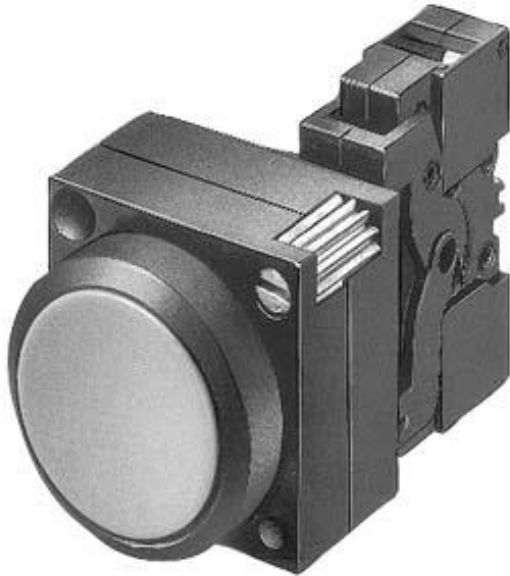


Figure similar

Design of the product	Complete unit round
Enclosure	
Shape of the enclosure front	round
Material of the enclosure	plastic
Number of command points	1
Actuator	
Design of the operating mechanism	Pushbutton
Manner of function of the actuating element	Momentary contact type
Product extension optional Light source	No
Color	
• of the actuating element	Blue
Material of the actuating element	plastic
Shape of the actuating element	Flat pushbutton
Type of unlocking device	without
Number of switching positions	2
Front ring	
Product component front ring	Yes

Design of the front ring	Standard
Material of the front ring	plastic
Color of the front ring	black

Holder

Material of the holder	Plastic
------------------------	---------

Contact block/ lampholder

Number of lampholders	0
Number of switching elements	1

General technical data

Product function	
<ul style="list-style-type: none"> positive opening EMERGENCY STOP function 	No No
Product component	
<ul style="list-style-type: none"> Light source 	No
Type of voltage	
<ul style="list-style-type: none"> of the operating voltage 	AC/DC
Protection class IP	IP66
Vibration resistance	
<ul style="list-style-type: none"> acc. to IEC 60068-2-6 	20 ... 200 Hz: 5g
Operating frequency maximum	1 000 1/h
Mechanical service life (switching cycles)	
<ul style="list-style-type: none"> typical 	10 000 000
Equipment marking	
<ul style="list-style-type: none"> acc. to DIN 40719 extended according to IEC 204-2 acc. to IEC 750 acc. to DIN EN 61346-2 acc. to DIN EN 81346-2 	S S S
Operating voltage	
<ul style="list-style-type: none"> rated value 	5 ... 400 V

Auxiliary circuit

Number of NC contacts	
<ul style="list-style-type: none"> for auxiliary contacts 	0
Number of NO contacts	
<ul style="list-style-type: none"> for auxiliary contacts 	1
Number of CO contacts	
<ul style="list-style-type: none"> for auxiliary contacts 	0
Operating current at AC-12	
<ul style="list-style-type: none"> at 24 V rated value at 48 V rated value at 110 V rated value at 230 V rated value 	10 A 10 A 10 A 10 A

<ul style="list-style-type: none"> • at 400 V rated value 	10 A
Operating current at AC-15	
<ul style="list-style-type: none"> • at 24 V rated value • at 48 V rated value • at 110 V rated value • at 230 V rated value • at 400 V rated value 	6 A 6 A 6 A 6 A 3 A
Operating current at DC-12	
<ul style="list-style-type: none"> • at 24 V rated value • at 48 V rated value • at 110 V rated value • at 230 V rated value 	10 A 5 A 2.5 A 1 A
Operating current at DC-13	
<ul style="list-style-type: none"> • at 24 V rated value • at 48 V rated value • at 110 V rated value • at 230 V rated value 	3 A 1.5 A 0.7 A 0.3 A

Connections/Terminals

Type of electrical connection	screw-type terminals
Tightening torque of the screws in the bracket	1 ... 1.2 N·m

Ambient conditions

Ambient temperature	
<ul style="list-style-type: none"> • during operation • during storage 	-25 ... +70 °C -40 ... +80 °C
Environmental category during operation acc. to IEC 60721	3K6





Installation/ mounting/ dimensions




Mounting type	front mounting
Shape of the installation opening	round
Mounting diameter	22 mm
Mounting height	8 mm
Installation width	28.5 mm
Installation depth	49 mm

Accessories

Product component holder for 3 switching elements	No
--	----

Certificates/approvals

General Product Approval			Declaration of Conformity	Test Certificates	Shipping Approval
 CSA	 UL		 EG-Konf.	Special Test Certificate	 ABS

Shipping Approval			other		
 LRS	 PRS	 RINA	Environmental Confirmations	Confirmation	Miscellaneous

Further information

Information- and Downloadcenter (Catalogs, Brochures,...)

<http://www.siemens.com/industrial-controls/catalogs>

Industry Mall (Online ordering system)

<https://mall.industry.siemens.com/mall/en/en/Catalog/product?mlfb=3SB3202-0AA51>

Cax online generator

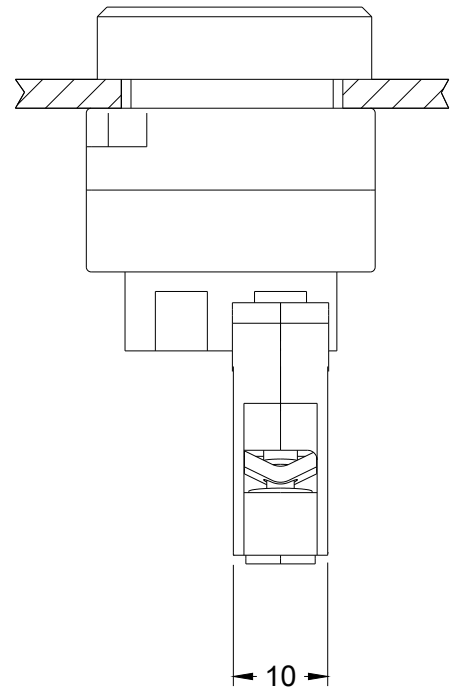
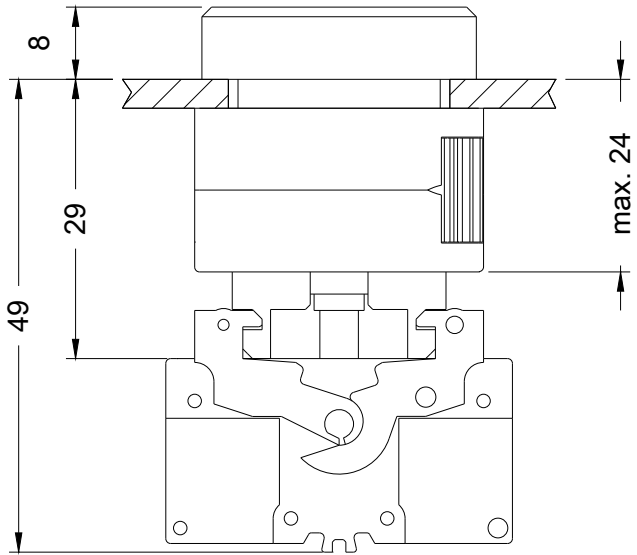
<http://support.automation.siemens.com/WW/CAXorder/default.aspx?lang=en&mlfb=3SB3202-0AA51>

Service&Support (Manuals, Certificates, Characteristics, FAQs,...)

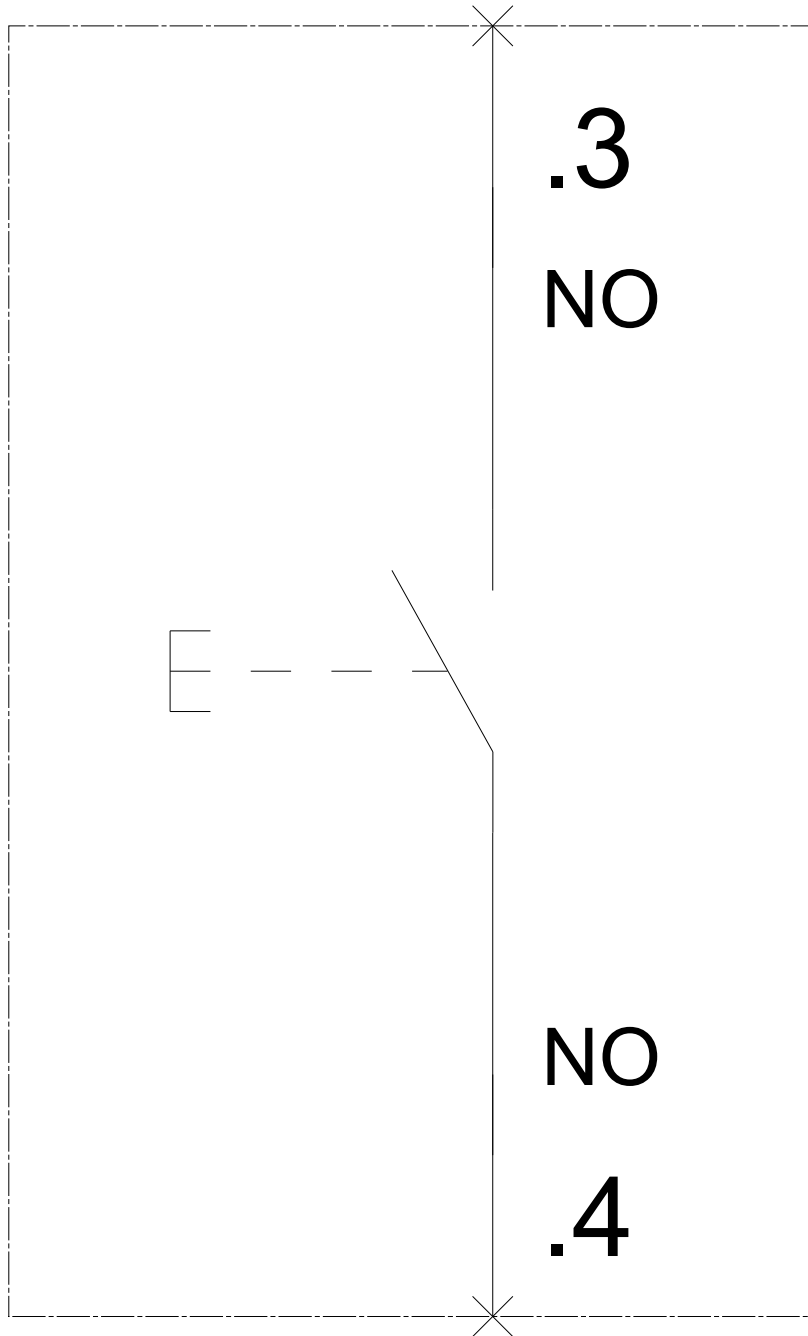
<https://support.industry.siemens.com/cs/ww/en/ps/3SB3202-0AA51>

Image database (product images, 2D dimension drawings, 3D models, device circuit diagrams, EPLAN macros, ...)

http://www.automation.siemens.com/bilddb/cax_de.aspx?mlfb=3SB3202-0AA51&lang=en



-S



last modified:

07/01/2017