

Contactor, Size 2, 2-pole, for railway applications DC-3 and 5, 7.5 A at 750 V 24 V DC Auxiliary contacts 21 (2NO+1NC) with varistor and series resistor Operating range 0.7...1.25xUS Operating range 0.7...1.25xUS

| | |
|--|---|
| product designation | Contactor |
| product type designation | 3TC |
| General technical data | |
| size of contactor | 2 |
| product extension | |
| • function module for communication | No |
| • auxiliary switch | No |
| insulation voltage rated value | 800 V |
| maximum permissible voltage for protective separation between coil and main contacts according to EN 60947-1 | 300 V |
| shock resistance at rectangular impulse | |
| • at DC | 7,5g / 5 ms, 3,4g / 10 ms |
| mechanical service life (operating cycles) | |
| • of contactor typical | 10 000 000 |
| • of the contactor with added auxiliary switch block typical | 10 000 000 |
| reference code according to IEC 81346-2 | Q |
| Substance Prohibition (Date) | 02/01/2012 |
| SVHC substance name | Lead - 7439-92-1 6,6'-di-tert-butyl-2,2'-methylenedi-p-cresol - 119-47-1 |
| Weight | 1.322 kg |
| Ambient conditions | |
| ambient temperature | |
| • during operation | -40 ... +70 °C |
| • during storage | -50 ... +80 °C |
| relative humidity minimum | 10 % |
| relative humidity at 55 °C according to IEC 60068-2-30 maximum | 95 % |
| Main circuit | |
| number of poles | 2 |
| number of poles for main current circuit | 2 |
| number of NO contacts for main contacts | 2 |
| number of NC contacts for main contacts | 0 |
| type of voltage | DC |
| operational current | |
| • at 1 current path at DC-1 | |
| — at 24 V rated value | 32 A |
| — at 110 V rated value | 32 A |
| — at 220 V rated value | 32 A |
| • with 2 current paths in series at DC-1 | |
| — at 24 V rated value | 32 A |
| — at 110 V rated value | 32 A |

| | |
|--|---------------|
| — at 220 V rated value | 32 A |
| — at 440 V rated value | 32 A |
| — at 600 V rated value | 32 A |
| — at 750 V rated value | 32 A |
| ● at DC-3 at DC-5 | |
| — at 220 V rated value | 32 A |
| — at 600 V rated value | 21 A |
| — at 750 V rated value | 7.5 A |
| ● at 1 current path at DC-3 at DC-5 | |
| — at 24 V rated value | 32 A |
| — at 110 V rated value | 32 A |
| — at 220 V rated value | 32 A |
| ● with 2 current paths in series at DC-3 at DC-5 | |
| — at 24 V rated value | 32 A |
| — at 110 V rated value | 32 A |
| — at 220 V rated value | 32 A |
| — at 440 V rated value | 29 A |
| — at 600 V rated value | 21 A |
| — at 750 V rated value | 7.5 A |
| operating power | |
| ● at DC-1 | |
| — at 110 V rated value | 3.5 kW |
| — at 220 V rated value | 7 kW |
| — at 440 V rated value | 14 kW |
| — at 750 V rated value | 24 kW |
| ● at DC-3 at DC-5 | |
| — at 110 V rated value | 2.5 kW |
| — at 220 V rated value | 5 kW |
| — at 440 V rated value | 9 kW |
| — at 600 V rated value | 9 kW |
| — at 750 V rated value | 4 kW |
| operating frequency | |
| ● at DC-1 maximum | 1 500 1/h |
| ● at DC-3 maximum | 750 1/h |
| ● at DC-5 maximum | 750 1/h |
| Control circuit/ Control | |
| type of voltage of the control supply voltage | DC |
| control supply voltage at DC rated value | 24 V |
| design of the surge suppressor | with varistor |
| closing power of magnet coil at DC | 48 W |
| holding power of magnet coil at DC | 13 W |
| closing delay at DC | 35 ... 190 ms |
| opening delay at DC | 10 ... 25 ms |
| arcing time | 20 ... 30 ms |
| Auxiliary circuit | |
| number of NC contacts for auxiliary contacts | 2 |
| ● instantaneous contact | 1 |
| number of NO contacts for auxiliary contacts | 2 |
| ● instantaneous contact | 2 |
| number of CO contacts for auxiliary contacts | 0 |
| identification number and letter for switching elements | 21 |
| operational current at AC-12 maximum | 10 A |
| operational current at AC-15 | |
| ● at 230 V rated value | 5.6 A |
| ● at 400 V rated value | 3.6 A |
| ● at 500 V rated value | 2.5 A |
| operational current at DC-12 | |
| ● at 24 V rated value | 10 A |
| ● at 48 V rated value | 10 A |
| ● at 60 V rated value | 10 A |
| ● at 110 V rated value | 3.2 A |

| | |
|--|--|
| <ul style="list-style-type: none"> • at 125 V rated value • at 220 V rated value • at 600 V rated value | 2.5 A 0.9 A 0.22 A |
| operational current at DC-13 | |
| <ul style="list-style-type: none"> • at 24 V rated value • at 48 V rated value • at 60 V rated value • at 110 V rated value • at 125 V rated value • at 220 V rated value • at 600 V rated value | 10 A 5 A 5 A 1.14 A 0.98 A 0.48 A 0.07 A |
| UL/CSA ratings | |
| contact rating of auxiliary contacts according to UL | A600 / P600 |
| Short-circuit protection | |
| design of the fuse link | |
| <ul style="list-style-type: none"> • for short-circuit protection of the main circuit <ul style="list-style-type: none"> — with type of coordination 1 required — with type of assignment 2 required • for short-circuit protection of the auxiliary switch required | 2 x 3NA3020 (50 A) in series (750 V, 3 kA) 2 x 3NA3020 (50 A) in series (750 V, 3 kA) gG: 16 A (500 V, 1 kA) |
| Installation/ mounting/ dimensions | |
| mounting position | +/-22,5° rotation possible on vertical mounting surface; can be tilted forward and backward by +/- 22.5° on vertical mounting surface |
| fastening method side-by-side mounting | Yes |
| fastening method | screw and snap-on mounting onto 35 mm DIN rail according to DIN EN 50022 |
| height | 115 mm |
| width | 82 mm |
| depth | 145 mm |
| required spacing | |
| <ul style="list-style-type: none"> • with side-by-side mounting <ul style="list-style-type: none"> — forwards — backwards — upwards — downwards — at the side • for grounded parts <ul style="list-style-type: none"> — forwards — backwards — upwards — at the side — downwards • for live parts <ul style="list-style-type: none"> — forwards — backwards — upwards — downwards — at the side | 15 mm 0 mm 10 mm 10 mm 10 mm 30 mm 0 mm 10 mm 10 mm 10 mm 30 mm 0 mm 10 mm 10 mm 10 mm |
| Connections/ Terminals | |
| type of electrical connection | screw terminal |
| <ul style="list-style-type: none"> • for main current circuit • for auxiliary and control circuit | screw-type terminals screw-type terminals |
| type of connectable conductor cross-sections for main contacts | |
| <ul style="list-style-type: none"> • solid or stranded • finely stranded with core end processing | 2x (2,5 ... 10 mm ²) 2x (1.5 ... 4 mm ²) |
| type of connectable conductor cross-sections | |
| <ul style="list-style-type: none"> • for auxiliary contacts <ul style="list-style-type: none"> — solid or stranded — finely stranded with core end processing | 2x (1 ... 2.5 mm ²) 2x (0.75 ... 1.5 mm ²) |
| Safety related data | |
| product function mirror contact according to IEC 60947-4-1 | Yes; One NC contact each must be connected in series for the right and left auxiliary switch block respectively |
| Electrical Safety | |

protection class IP on the front according to IEC 60529

IP00

Approvals Certificates

General Product Approval



[Confirmation](#)



General Product Approval

Functional Safety

Test Certificates



[Type Examination Certificate](#)

[Type Examination Certificate](#)

[Miscellaneous](#)

[Type Test Certificates/Test Report](#)

[Special Test Certificate](#)

other

Dangerous goods

Environment

[Confirmation](#)

[Transport Information](#)

[Environmental Confirmations](#)

Further information

Information on the packaging

<https://support.industry.siemens.com/cs/ww/en/view/109813875>

Information- and Downloadcenter (Catalogs, Brochures,...)

<https://www.siemens.com/ic10>

Industry Mall (Online ordering system)

<https://mall.industry.siemens.com/mall/en/en/Catalog/product?mlfb=3TC4417-0LB4>

Cax online generator

<http://support.automation.siemens.com/WW/CAXorder/default.aspx?lang=en&mlfb=3TC4417-0LB4>

Service&Support (Manuals, Certificates, Characteristics, FAQs,...)

<https://support.industry.siemens.com/cs/ww/en/ps/3TC4417-0LB4>

Image database (product images, 2D dimension drawings, 3D models, device circuit diagrams, EPLAN macros, ...)

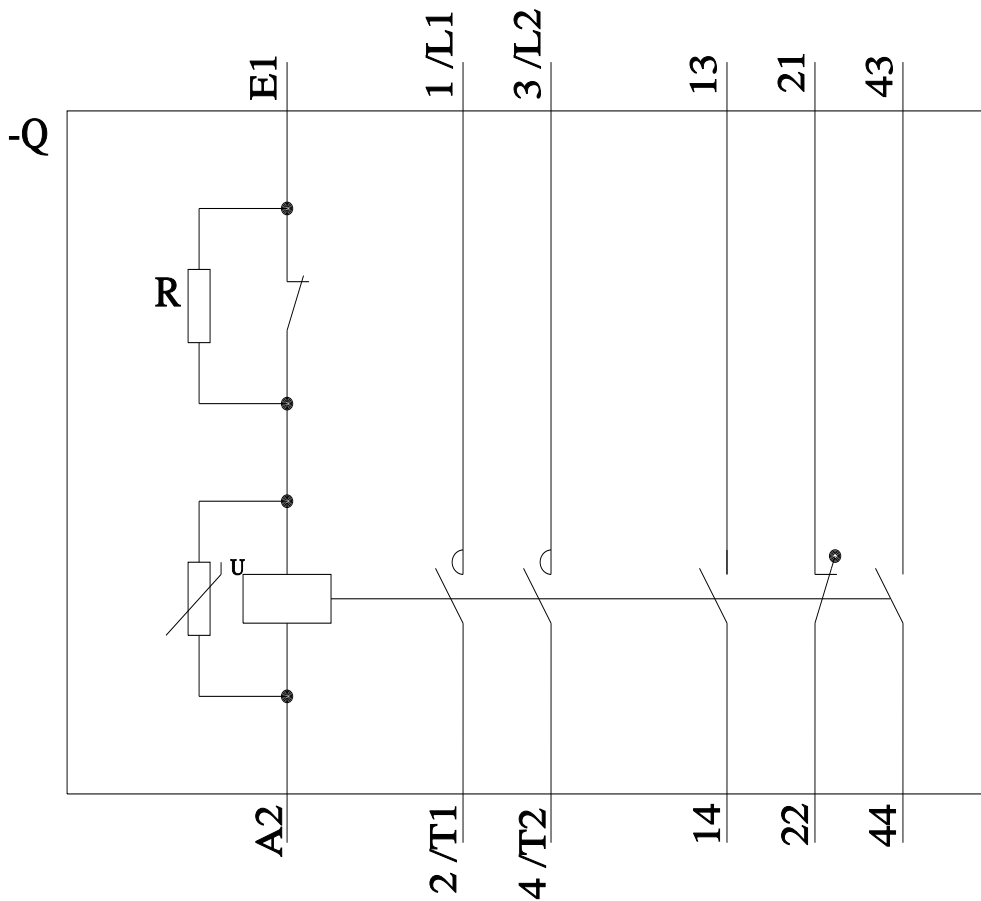
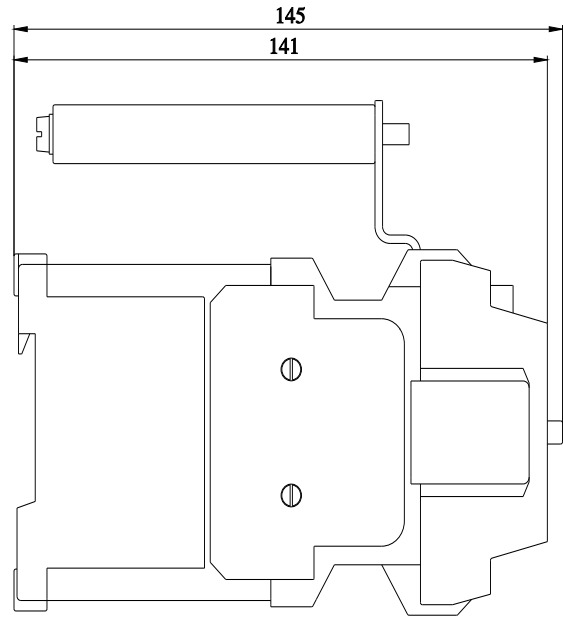
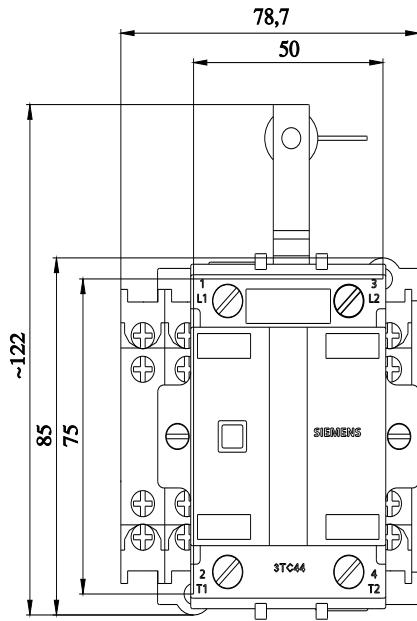
http://www.automation.siemens.com/bilddb/cax_de.aspx?mlfb=3TC4417-0LB4&lang=en

Characteristic: Tripping characteristics, I²t, Let-through current

<https://support.industry.siemens.com/cs/ww/en/ps/3TC4417-0LB4/char>

Further characteristics (e.g. electrical endurance, switching frequency)

<http://www.automation.siemens.com/bilddb/index.aspx?view=Search&mlfb=3TC4417-0LB4&objecttype=14&gridview=view1>



last modified:

8/20/2024

