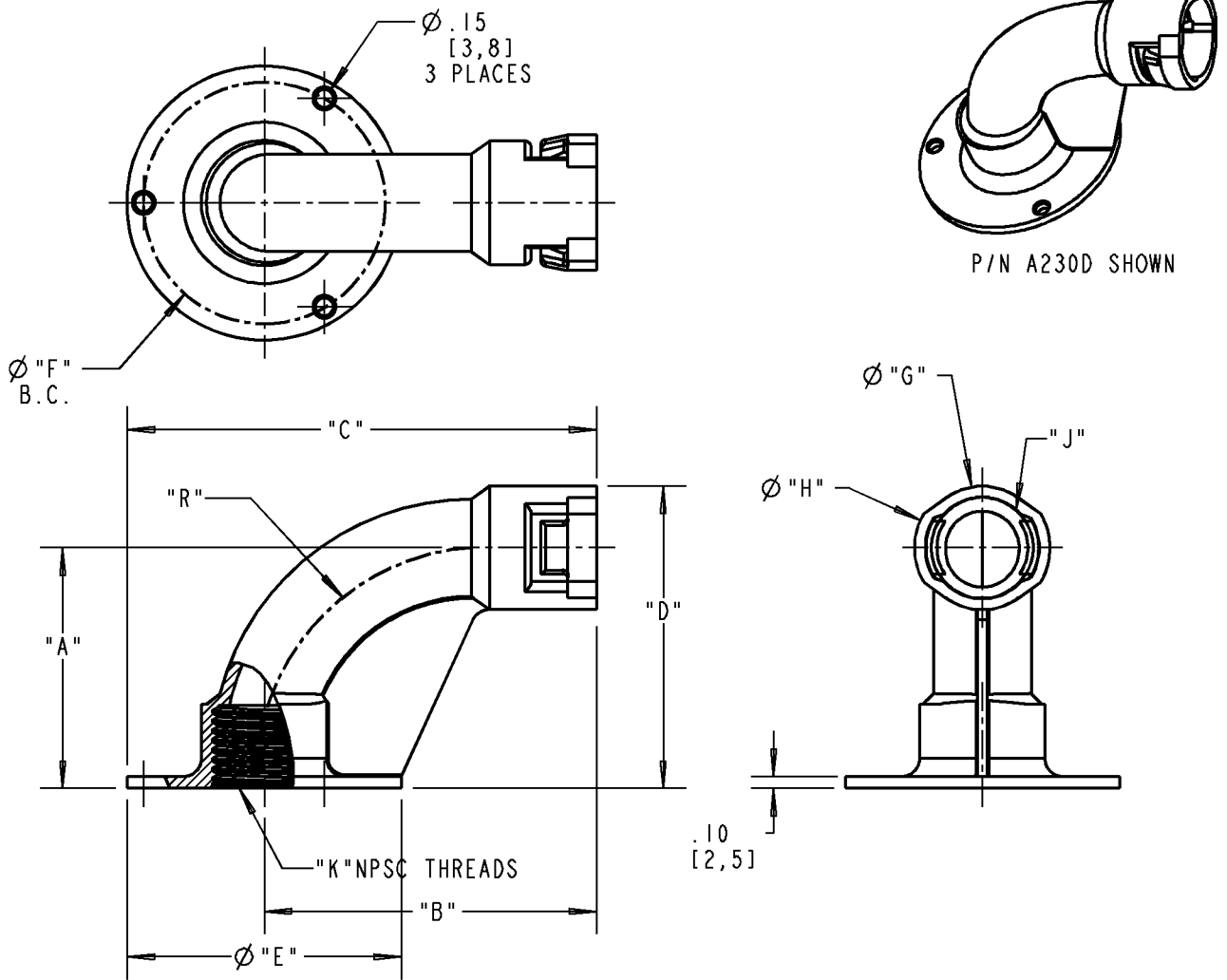



Carlton®



PART NO.	SIZE	DIM. A	DIM. B	DIM. C	DIM. D	Ø E	Ø F	Ø G	Ø H	"J" ENT SIZE	"K" NPSC	"R"
A230D	1/2"	2.00 [50.8]	2.76 [70.1]	3.90 [99]	2.51 [63.8]	2.82 [57.9]	2.00 [50.8]	1.03 [26.1]	1.13 [28.6]	1/2"	1/2"	1.75 [44.5]
A230E	3/4"	2.10 [52.2]	2.77 [70.3]	4.02 [102.1]	2.72 [69.2]	2.50 [63.5]	2.13 [54]	1.25 [31.7]	1.35 [34.2]	3/4"	3/4"	1.75 [44.5]
A230F	1"	2.38 [60.4]	2.97 [75.4]	4.34 [110.3]	3.14 [79.7]	2.75 [69.9]	2.38 [60.3]	1.52 [38.6]	1.62 [41.2]	1"	1"	2.00 [50.8]

NOTES:

1. MATERIAL: BLUE THERMOPLASTIC

GENERAL NOTES		 www.tnb.com			
1. ALL DIMENSIONS ARE FOR REFERENCE ONLY. 2. DIMENSIONS IN BRACKETS [] ARE IN METRIC UNITS.					
REVISIONS		DESCRIPTION: STUB DOWN TRANSITION ADAPTERS 90 DEGREES - ENT TO NPSC			
*** SEE ERN (****) FOR APPROVAL SIGNATURES & RELEASE DATE. PROJECT NO: ****		ORIGINAL PROJECT NO / (ERN NO) / ()	SHEET NO: 1 OF 1	REV. NO: C	DRAWING NO: WSD-AC04386