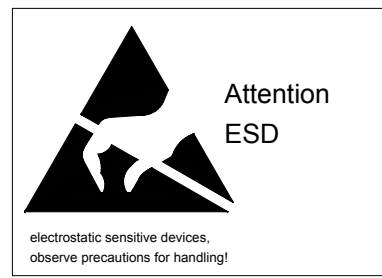
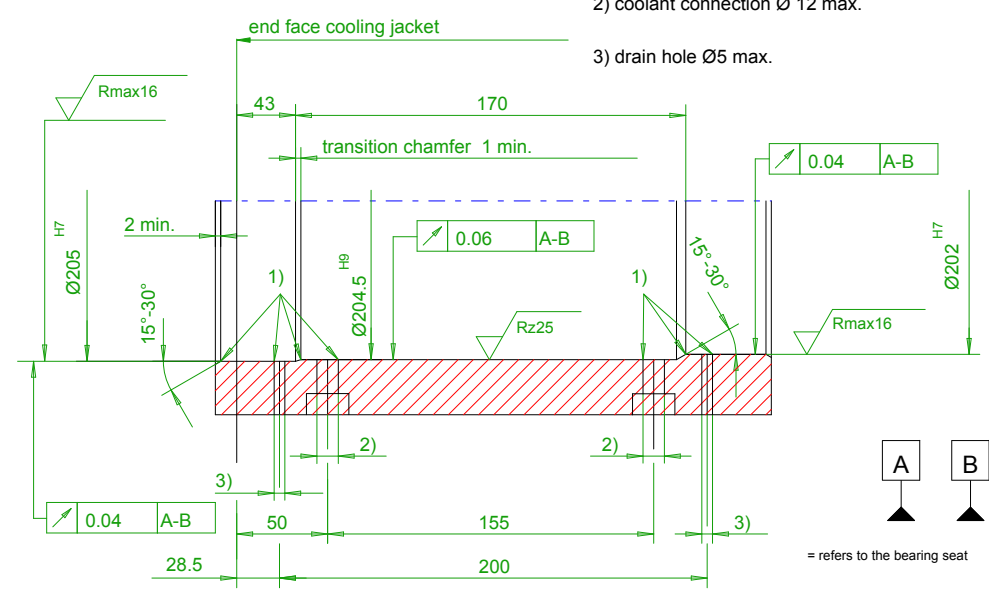


interface instructions
stator interface dimensions

- 1) edges fillet $R_{max} 16$
- 2) coolant connection Ø 12 max.
- 3) drain hole Ø5 max.

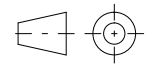


temperature-sensors can be damaged

alignment position for stator and rotor

scope of delivery with o-ring-seals

enclosure IP00



Einheit / unit: mm	Einbau-Synchronmotor, Stator Built-in synchronous motor, stator: 1FE1093-6WN10-1B_2
nicht tolerierte Maße / not toleranced dimensions: ±0,5	Optionen / options: Gewicht / mass: 28 kg
Maßstab / scale: ohne / without	Bemerkung / notice:
CAD CREATOR 2.2 (WWW-Version V02.20.00.00)	Druckdatum / print date: 02.02.2017