




bus connector extended front mounted, 4 units accessory for: 3VA51

Model	
product brand name	SETRON
product designation	bus connector extended
accessories	Bus connector extended
Connections according IEC	
thickness / of the busbar	1
<ul style="list-style-type: none"> <li>• minimum</li> <li>• maximum</li> </ul>	
thickness / of the busbar / maximum	8 mm
width / of the busbar / maximum	22 mm
Connections according UL	
width / of the busbar / maximum	0.9 in
thickness / of the busbar / minimum	0.04 in
thickness / of the busbar / maximum	0.3 in
Certificates	
General Product Approval	EMV



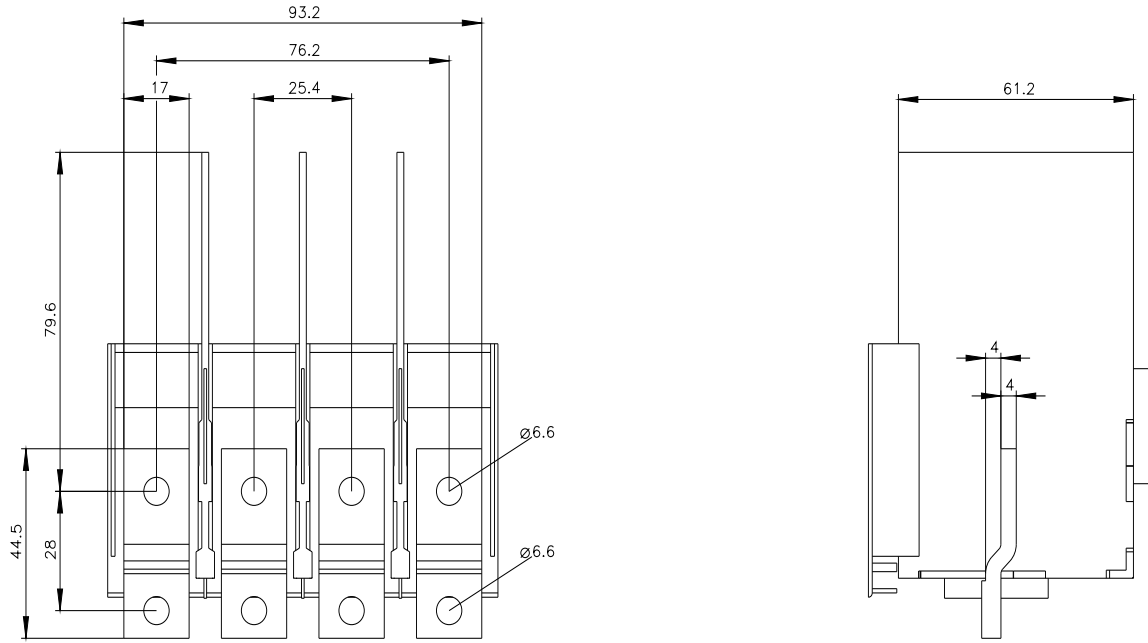
[Miscellaneous](#)



Marine / Shipping	other	Environment			
	<a href="#">Miscellaneous</a>	<a href="#">Confirmation</a>	<a href="#">Miscellaneous</a>	<a href="#">Environmental Con- firmations</a>	<a href="#">Environmental Con- firmations</a>

**Further information**

- Information on the packaging  
<https://support.industry.siemens.com/cs/ww/en/view/109813875>
- Information- and Downloadcenter (Catalogs, Brochures,...)  
<http://www.siemens.com/lowvoltage/catalogs>
- Industry Mall (Online ordering system)  
<https://mall.industry.siemens.com/mall/en/en/Catalog/product?mlfb=3VA9134-0QB00>
- Service&Support (Manuals, Certificates, Characteristics, FAQs,...)  
<https://support.industry.siemens.com/cs/ww/en/ps/3VA9134-0QB00>
- Image database (product images, 2D dimension drawings, 3D models, device circuit diagrams, ...)  
[http://www.automation.siemens.com/bilddb/cax\\_en.aspx?mlfb=3VA9134-0QB00](http://www.automation.siemens.com/bilddb/cax_en.aspx?mlfb=3VA9134-0QB00)
- CAX-Online-Generator  
<http://www.siemens.com/cax>



last modified:

8/9/2024

