



Reversing contactor assembly AC-3, 22 kW/400 V, 3-pole Size S2, Screw terminal 24 V AC/50/60 Hz Electrical and mechanical interlock !!! Phased-out product !!!
Successor is SIRIUS 3RA2

size of contactor	S2
product function	Reversing contactor
protection class IP on the front	IP20
reference code according to IEC 81346-2	Q
Substance Prohibittance (Date)	05/01/2012
SVHC substance name	Blei - 7439-92-1
ambient temperature during operation	-25 ... +60 °C
operational current at AC-3 at 400 V rated value	50 A
operating power at AC-3 at 400 V rated value	22 kW
type of voltage of the control supply voltage	AC
control supply voltage 1 at AC	
• at 50 Hz rated value	24 V
• at 60 Hz rated value	24 V
control supply voltage frequency	
• 1 rated value	50 Hz
• 2 rated value	60 Hz
number of NC contacts for auxiliary contacts per direction of rotation	0
number of NO contacts for auxiliary contacts per direction of rotation	0
fastening method	screw and snap-on mounting onto 35 mm DIN rail according to DIN EN 50022
height	133 mm
width	120 mm
depth	115 mm
type of electrical connection for main current circuit	screw-type terminals

Approvals Certificates

General Product Approval

Marine / Shipping



[Confirmation](#)



Marine / Shipping

other



[Confirmation](#)

Further information

Siemens has decided to exit the Russian market (see here).

<https://press.siemens.com/global/en/pressrelease/siemens-wind-down-russian-business>

Siemens is working on the renewal of the current EAC certificates.

Please contact your local Siemens office on the status of validity of the EAC certification if you intend to import or offer to supply these products to an EAC relevant market (other than the sanctioned EAEU member states Russia or Belarus).

Information on the packaging

<https://support.industry.siemens.com/cs/ww/en/view/109813875>

Information- and Downloadcenter (Catalogs, Brochures,...)

<https://www.siemens.com/ic10>

Industry Mall (Online ordering system)

<https://mall.industry.siemens.com/mall/en/en/Catalog/product?mlfb=3RA1336-8XB30-1AC2>

Cax online generator

<http://support.automation.siemens.com/WW/CAXorder/default.aspx?lang=en&mlfb=3RA1336-8XB30-1AC2>

Service&Support (Manuals, Certificates, Characteristics, FAQs,...)

<https://support.industry.siemens.com/cs/ww/en/ps/3RA1336-8XB30-1AC2>

Image database (product images, 2D dimension drawings, 3D models, device circuit diagrams, EPLAN macros, ...)

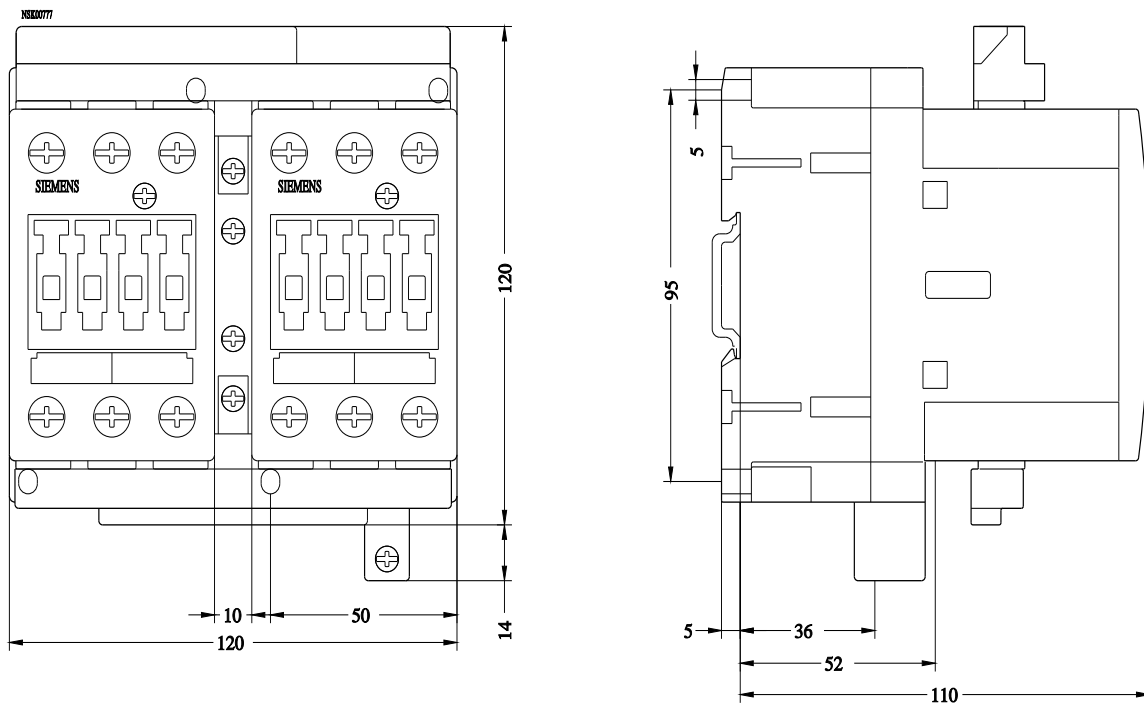
http://www.automation.siemens.com/bilddb/cax_de.aspx?mlfb=3RA1336-8XB30-1AC2&lang=en

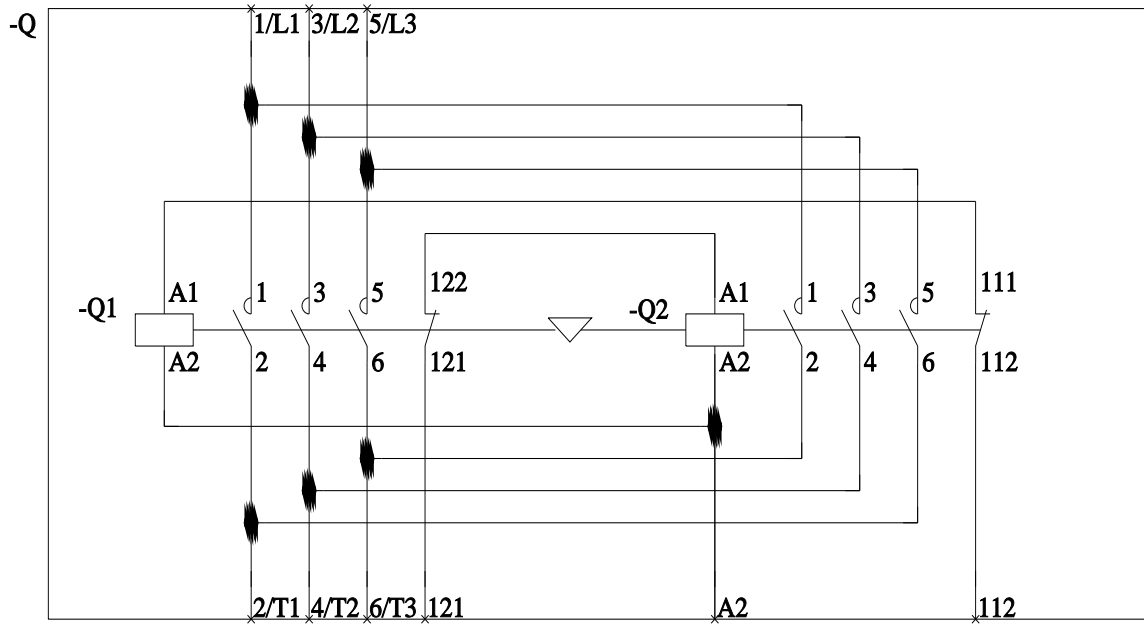
Characteristic: Tripping characteristics, I²t, Let-through current

<https://support.industry.siemens.com/cs/ww/en/ps/3RA1336-8XB30-1AC2/char>

Further characteristics (e.g. electrical endurance, switching frequency)

<http://www.automation.siemens.com/bilddb/index.aspx?view=Search&mlfb=3RA1336-8XB30-1AC2&objectype=14&gridview=view1>





last modified:

9/5/2023 