

Actuator head for position switch 3SE51/52 Roller plunger with Plastic roller 10 mm functional at -40 °C



Product brand name	SIRIUS
Product designation	actuator head for position switch
Product type designation	3SE5

General technical data

Product function	
<ul style="list-style-type: none"> • positive opening 	Yes
Shock resistance	
<ul style="list-style-type: none"> • acc. to IEC 60068-2-27 • for railway applications acc. to DIN EN 61373 	30 g / 11 ms Category 1, Class B
Mechanical service life (switching cycles)	
<ul style="list-style-type: none"> • typical 	15 000 000
Material of the enclosure of the switch head	plastic
Reference code acc. to DIN EN 81346-2	T
Reference code acc. to DIN EN 61346-2	T
Active principle	mechanical
Minimum actuating force in activation direction	20 N
Design of the interface for safety-related communication	without

Enclosure

Coating of the enclosure	Other types
--------------------------	-------------

Drive Head

Design of the operating mechanism	Roller plunger, plastic roller
Standard-compliant actuator head	EN 50047, design C
Shape of the switch head	roller
Outer diameter of the switch head	10 mm

Communication/ Protocol

Design of the interface	without
-------------------------	---------





Ambient conditions

Explosion protection category for dust	none
--	------

Installation/ mounting/ dimensions

Mounting position	any
Mounting type	lockable plug-in fixing

Certificates/ approvals

General Product Approval	Declaration of Conformity	Test Certificates
 CSA  UR  EAC  EG-Konf.	Miscellaneous	Type Test Certificates/Test Report

other

[Confirmation](#)

Further information

Information- and Downloadcenter (Catalogs, Brochures,...)

www.siemens.com/sirius/catalogs

Industry Mall (Online ordering system)

<https://mall.industry.siemens.com/mall/en/en/Catalog/product?mfb=3SE5000-0AD03-1AJ0>

Cax online generator

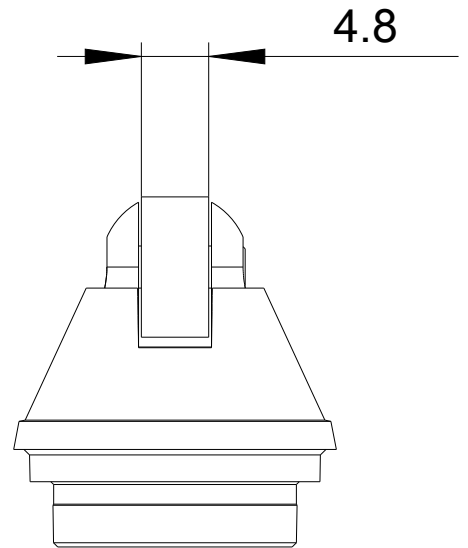
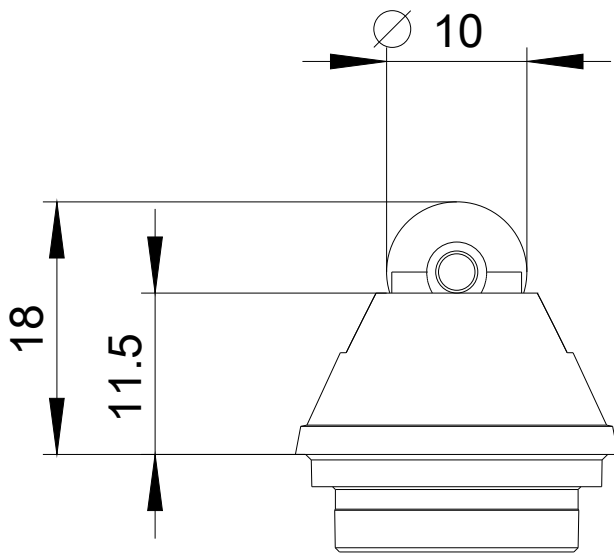
<http://support.automation.siemens.com/WW/CAXorder/default.aspx?lang=en&mfb=3SE5000-0AD03-1AJ0>

Service&Support (Manuals, Certificates, Characteristics, FAQs,...)

<https://support.industry.siemens.com/cs/ww/en/ps/3SE5000-0AD03-1AJ0>

Image database (product images, 2D dimension drawings, 3D models, device circuit diagrams, EPLAN macros, ...)

http://www.automation.siemens.com/bilddb/cax_de.aspx?mfb=3SE5000-0AD03-1AJ0&lang=en



last modified:

07/26/2019