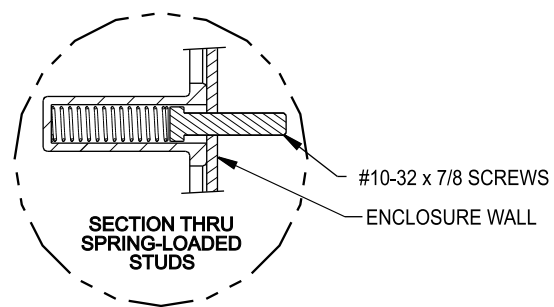
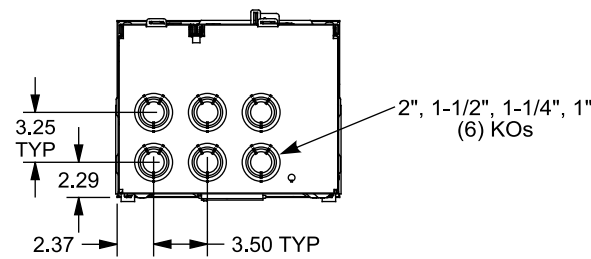
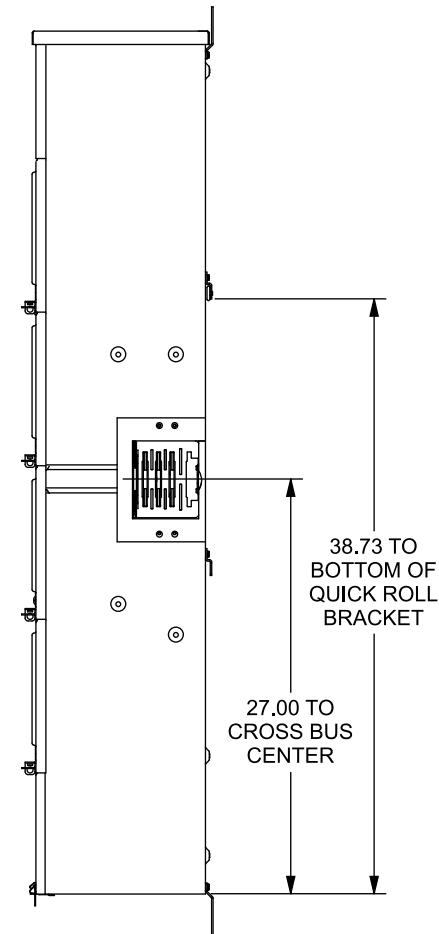
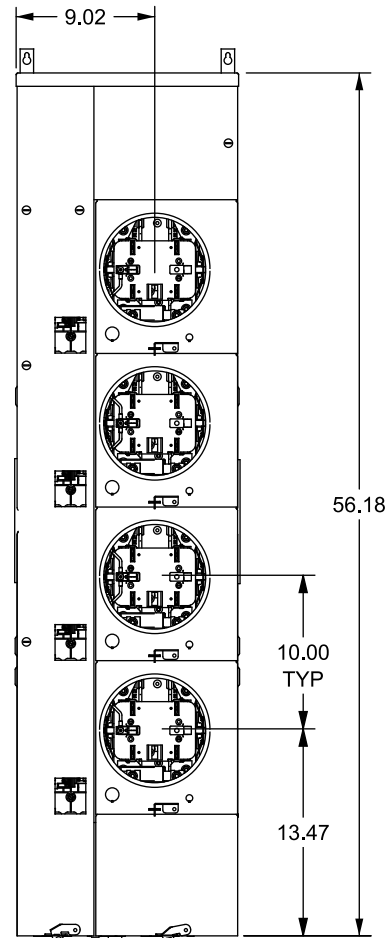
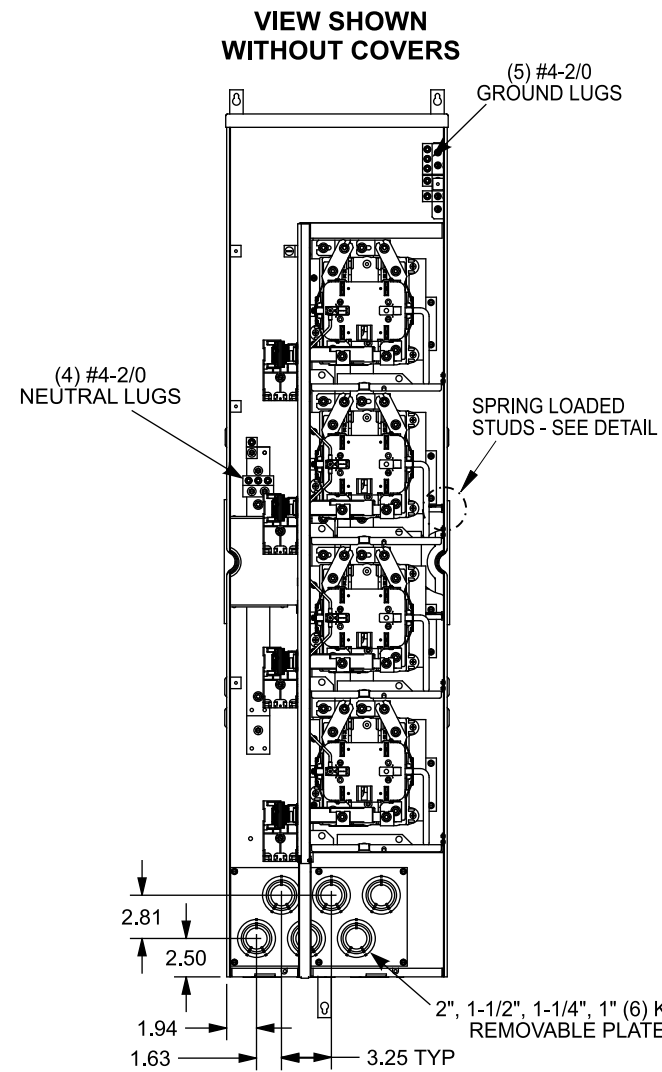
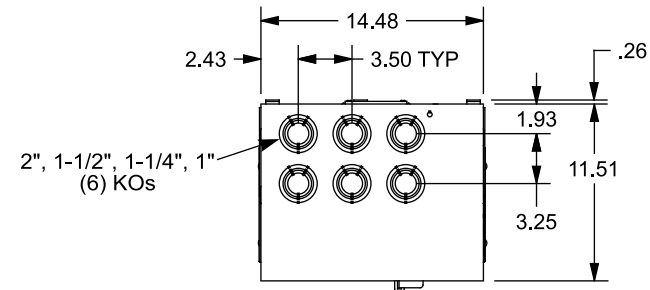


## Catalog Numbers, Features and Ratings

- MAIN BUS RATING: 1200A, 240V AC MAX.
- 4 POSITIONS, 125A MAX. BRANCH RATING
- METER SOCKET RATING: 200A CONTINUOUS
- 65,000 AIC MAX. RATING
- LEVER BYPASS METER SOCKET
- RINGLESS METER COVER
- 1 PHASE INPUT / 1 PHASE OUTPUT
- TYPE 1 INDOOR ENCLOSURE



## Additional Modules

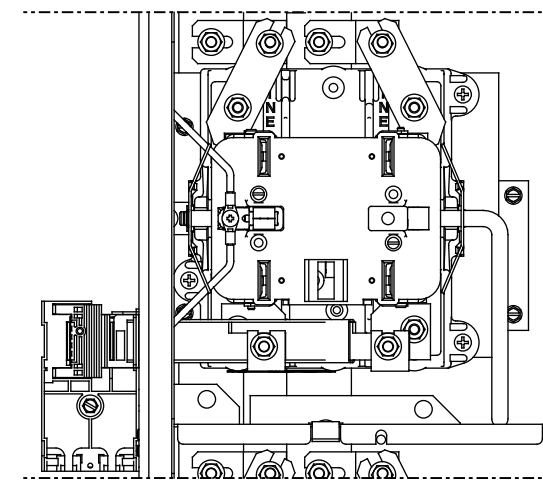
FOR USE WITH:	
Module Description	Siemens Series#
Main Breakers	(W)MC, WB, WEB, WXB
Switches	WMP, WMS, WS, WES
Tap/Terminal Boxes	WMTB, WTB, WET, WT_PU
Pull Boxes	WMMB
Meter Module	(W)MM, WxMM, (W)MT, (W)ML, (W)MK, (W)MLZ(F)
Meter Combinations	WC, WCL, WCT
Extension Box/Surge	WMEX, WSP, WSPD
Bussed Elbow	BE

Connect Modules Using:	Catalog Number / Torque
QuickConnect	QC1, Torque 400-440 lb-in (35-36 ft.-lb.)

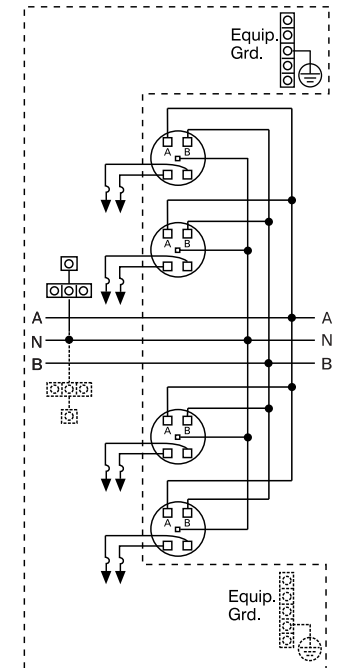
## Accessories and Replacement Parts

Description	Catalog No.
Meter Cover Plate	ECCP3
End Closure Plate	WMEP
125A Breaker Mounting	ECMFBM1
Breaker Cover Repl.	ECBC
Breaker HoldDown	ECMBR2
Meter Cover, Ringless 10"	ECWML10
Bottom Pull Cover	ECWMLC
Line/Phase Strap	ECWMLPS
Load Cover Screws	ECMFCS
Parts Kit	ECMFPK
Ground/Ntl Bar Kit	ECMFGN125
Neutral Bar Kit 225A	ECMFN225
KO Plate with Knockouts	ECMMKOP
KO Plate w/o Knockouts	ECMMNKOP
Mounting Tabs (2)	ECMFTAB
QuickRoll Wheel Clip	ECMFWLCLIP
Mounting Clip	MMCLIP
Wall Mounting Rail (60")	MMZR60
Mounting Rail	MMRAIL

## Enlarged Socket Detail



## Schematic



© 2014 Copyright Siemens Industry, Inc.

**SIEMENS**  
Siemens Industry, Inc.

## PowerMod Meter Stack

Description:  
**Indoor, 4 Position, 125A, 1Ph, Lever Bypass**

KAM  
12/3/14

DO NOT SCALE  
DRAWING

Dwg. No.

**ML41125RJ**