

Catalog Numbers

Catalog No.	Amperage Rating	Max. Interrupting Rating
3 PHASE, 4 WIRE, 240V AC MAX		
WB3700B	700	65,000
WB3700BU	700	100,000
WB3800B	800	65,000
WB3800BU	800	100,000

- TYPE 3R OUTDOOR ENCLOSURE
- MAIN BUS RATING: 1200A MAX., 240V AC Max.
- 3 PHASE
- FOR UNDERGROUND SERVICE ONLY
- MOUNTING RAILS AND ADJUSTABLE BRACKETS FOR SECURE MOUNTING

Additional Modules

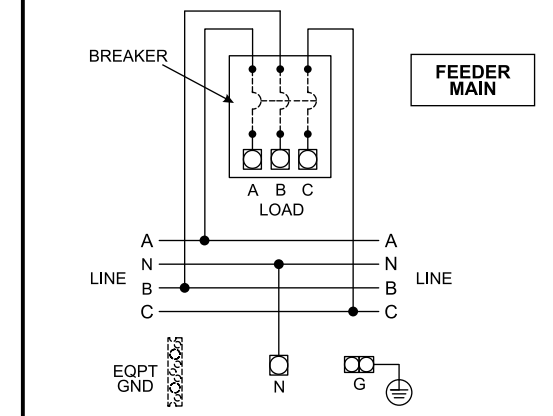
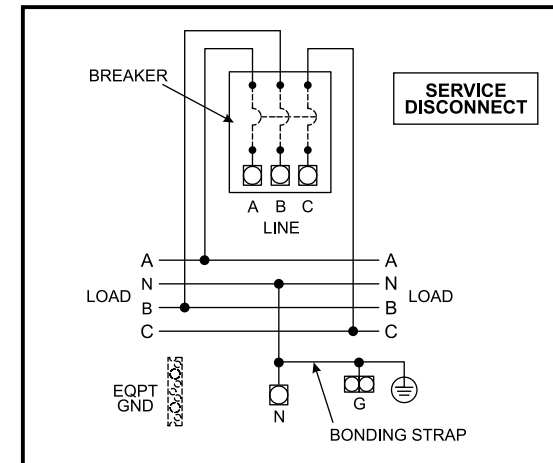


IMPORTANT - for use with:

Module Description	Siemens Series#
Main Breakers	WB(M), WEB(M), WXB, BFT
Switches	WMP, WS, WES, WXS
Tap/Terminal Boxes	WTB, WET, WT_PU, WTBN, WBT
Pull Boxes	WMMB
Meter Module	(W)MM, (W)MT, (W)ML, (W)MK, (W)MLZ(F), (W)MN
Meter Combinations	WC, WCL, WCT,
Extension Box	WSP, WSPD
Bussed Elbow	BE, WELB

Connect Modules Using:	Catalog Number / Torque
QuickConnect	QC4, Torque 400-440 lb-in (35-36 ft.-lb.)

Schematic



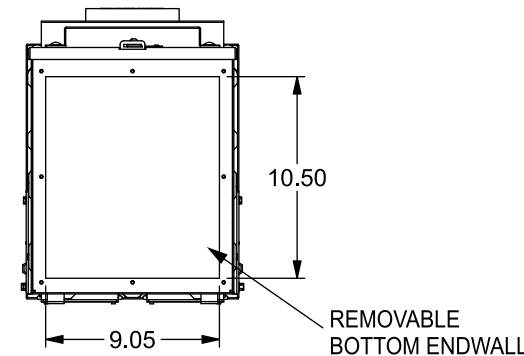
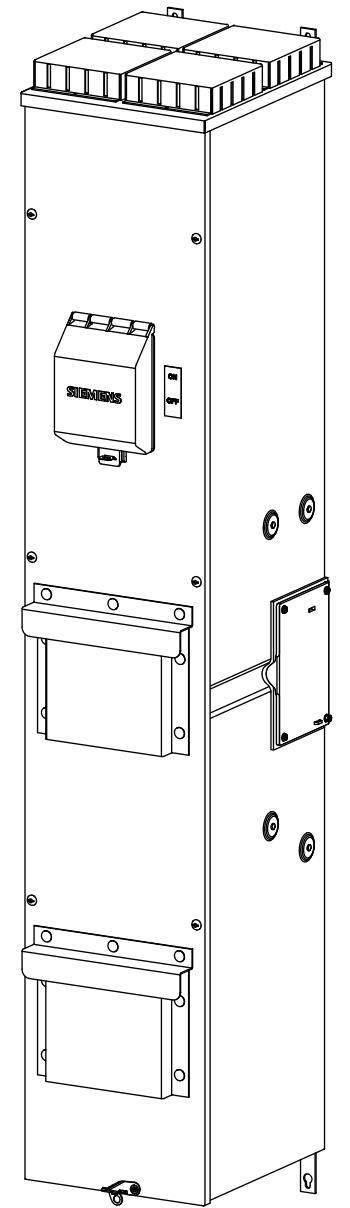
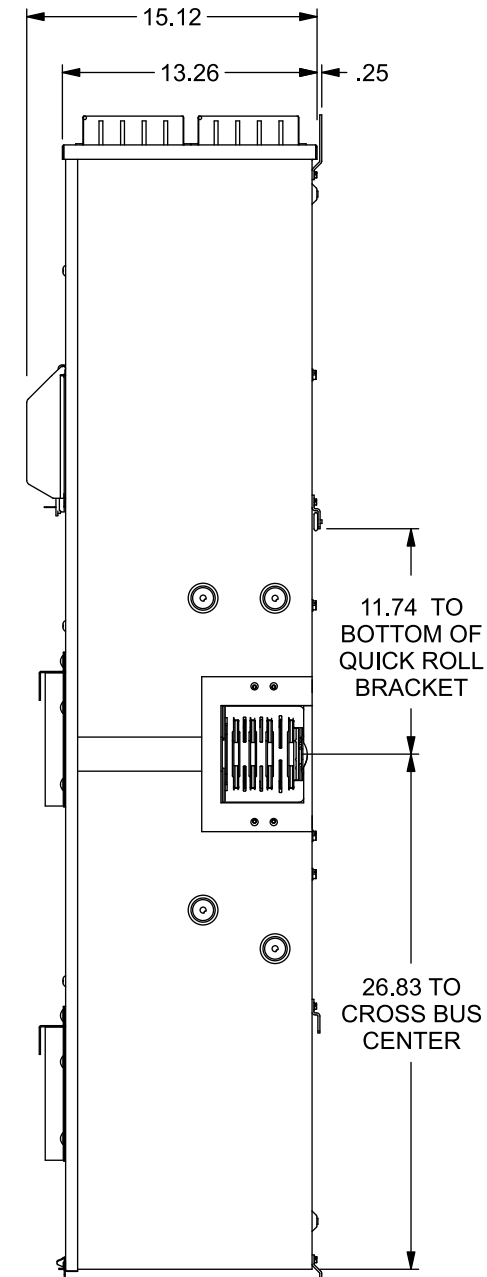
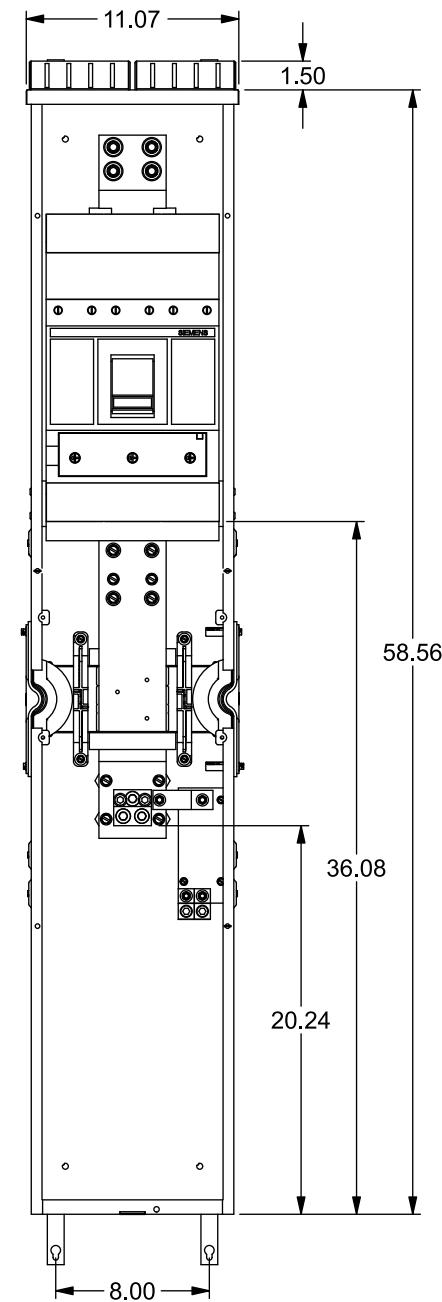
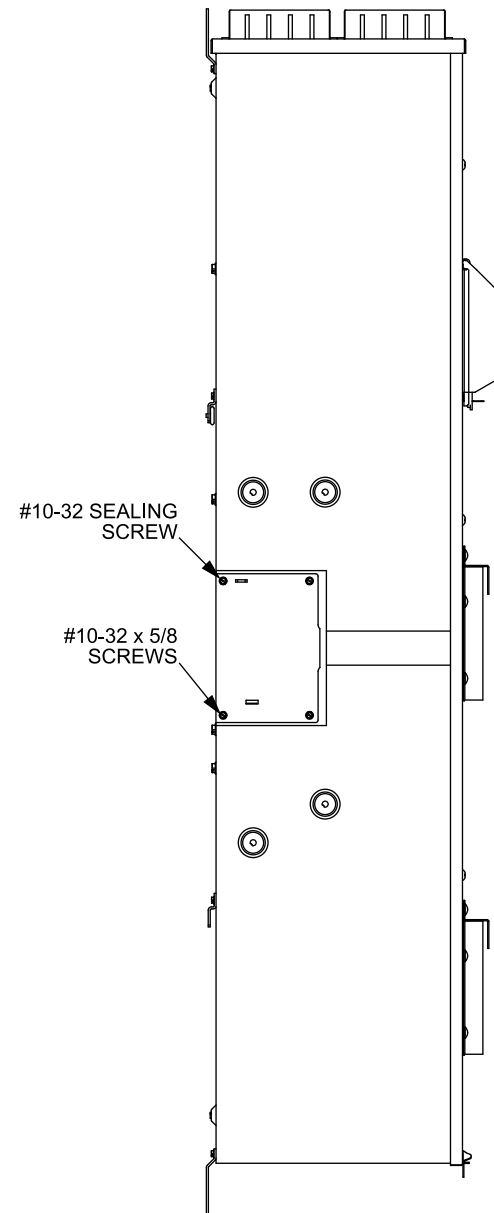
Terminals A, B, C and N:
Wire size (3) 1/0-500 kcmil CU/AL.
Torque terminals to 375 lb.in.
Ground terminal G:
Wire size #4-300 kcmil. Torque terminal to 250 lb.-in.

Accessories

Equip Ground Acc'y Cat. No. ECLX069M	
Small Terminals	Large Terminals
Wire Range / Torque	Wire Range / Torque
10-14 AWG 20 lb-in	10-14 AWG 35 lb-in
8 AWG 25 lb-in	8 AWG 40 lb-in
6 AWG 35 lb-in	1/0-6 AWG . 45 lb-in

- Ground Bar Kit ECLX069M
- Ground Lug Kit (3 Position) ECGLK3300, (3) #6-300kcmil, Torque 250 lb-in
- Ground Lug Kit (6 Position) ECGLK6300, (6) #6-300kcmil, Torque 250 lb-in
- Breaker Lug Kit (factory installed) . . LK33500 (kit includes 4 lugs)
- Alternate Breaker Lug Kit LK33750 - (3) 500-750 kcmil, Torque 375 lb.-in. (kit includes 4 lugs)
- Alternate Breaker Lug Kit LK34500 - (4) #2-500 kcmil, Torque 375 lb.-in. (kit includes 4 lugs)
- Terminal Shield NDTs (factory installed)

FRONT VIEW SHOWN WITH COVER AND SHIELDS REMOVED



© 2018 Copyright Siemens Industry, Inc.

SIEMENS
Siemens Industry, Inc.

PowerMod™ Breaker Mains
700-800A, 3 Phase,
Bottom Feed Skinny Mains

Description:		700-800A, 3 Phase, Bottom Feed Skinny Mains	
KAM 8/6/18	DO NOT SCALE DRAWING	Dwg. No.	WB3700B-WB3800BU